

Article	page
<b>Tables</b>	
Impellers and shafts .....	2.1 – 2.4
Spare pump heads .....	3, 4
<b>Pumps, pump heads, air pumps</b>	
1000 / 1001 / 1002 <b>compact</b> .....	63
1100 / 1101 / 1102 <b>compact+</b> .....	64, 65
1103 <b>compact+marine</b> .....	66
1005 <b>universal</b> .....	70
1020 / 1021 / 1022 <b>compactON 300, 600, 1000</b> .....	67
1030 / 1031 <b>compactON 2100, 3000</b> .....	68
1032 <b>compactON 5000</b> .....	69
1046 <b>universal 300</b> .....	71
1048 <b>universal 600</b> .....	72
1250 <b>universal 1200</b> .....	73
1260 / 1262 <b>universal 2400, 3400</b> .....	74
1070 / 1071 / 1072 <b>streamON 1800, 3000, 3800</b> .....	75
1080 / 1081 / 1082 <b>streamON+ 2000, 4000, 5000</b> .....	76
1205 <b>aquacompact</b> .....	18
1211 <b>classic 150</b> .....	19
1212 Powerhead <b>aquaball</b> .....	11
1213 <b>classic 250</b> .....	20
1215 <b>classic 350</b> .....	21
1217 <b>classic 600</b> .....	22
1224 <b>professionel, eXperience</b> .....	37, 38, 45
1228 <b>professionel, eXperience</b> .....	39, 40, 46
1229 <b>professionel</b> .....	41, 42
1233 / 1234 <b>ecco, ecco comfort</b> .....	27
1235 / 1236 <b>ecco, ecco comfort</b> .....	28
1252 <b>powerline</b> .....	10
1253 <b>classic</b> .....	23
1271 / 1275 <b>professionel 3</b> .....	31, 32
1274 <b>professionel 3e</b> .....	31, 32
1276 / 1278 <b>professionel 3e</b> .....	33, 34
1280 / 1780 <b>professionel 3 1200XL, XLT</b> .....	35, 36
1334 <b>eccopro</b> .....	25
1336 <b>eccopro</b> .....	26
1371 / 1375 <b>professionel 4+</b> .....	43, 44
3701 / 3702 / 3704 <b>air pump 100, 200, 400</b> .....	61
<b>Internal aquarium filters</b>	
2000 <b>aquacorner 60</b> .....	5
2203 / 2204 <b>miniFLAT and miniUP</b> .....	6
2006 <b>pickup 45</b> .....	7
2008 / 2010 / 2012 <b>pickup</b> .....	8
2048 <b>powerline</b> .....	9
2206 <b>aquaball</b> .....	12
2208 / 2210 / 2212 <b>aquaball</b> .....	13
2252 <b>powerline</b> .....	10
2400 <b>aquaball 45</b> .....	14
2401 / 2402 / 2403 <b>aquaball 60, 130, 180</b> .....	15
2411 / 2412 / 2413 <b>biopower 160, 200, 240</b> .....	16
<b>External aquarium filters</b>	
2004 / 2005 <b>aquacompact 40, 60</b> .....	18
2026 / 2028 <b>professionel II</b> .....	29, 30
2126 / 2128 <b>professionel II</b> .....	29, 30
2032 / 2034 <b>eccopro 130, 200</b> .....	25
2036 <b>eccopro 300</b> .....	26
2040 / 2041 / 2042 <b>Liberty</b> .....	17
2071 / 2073 / 2075 <b>professionel 3</b> .....	31, 32
2074 <b>professionel 3e</b> .....	31, 32
2076 / 2078 <b>professionel 3e</b> .....	33, 34
2080 <b>professionel 3 1200XL</b> .....	35, 36
2173 / 2173 <b>professionel 3</b> .....	31, 32
2178 <b>professionel 3e</b> .....	33, 34
2180 <b>professionel 3 1200XLT</b> .....	35, 36

Article	page
2211 <b>classic 150</b> .....	19
2213 <b>classic 250</b> .....	20
2215 <b>classic 350</b> .....	21
2217 <b>classic 600</b> .....	22
2222 / 2224 <b>professionel</b> .....	37, 38
2226 / 2228 <b>professionel</b> .....	39, 40
2227 / 2229 <b>professionel</b> .....	41, 42
2231 / 2233 / 2232 / 2234 <b>ecco, ecco comfort</b> .....	27
2235 / 2236 <b>ecco, ecco comfort</b> .....	28
2250 <b>classic</b> .....	23
2260 <b>classic</b> .....	24
2271 / 2273 / 2275 <b>professionel 4+</b> .....	43, 44
2274 <b>professionel 4e+</b> .....	43, 44
2322 / 2324 <b>professionel</b> .....	37, 38
2326 / 2328 <b>professionel</b> .....	39, 40
2327 / 2329 <b>professionel</b> .....	41, 42
2371 / 2373 <b>professionel 4+</b> .....	43, 44
2422 / 2424 / 2124 <b>eXperience</b> .....	45
2426 <b>eXperience</b> .....	46
<b>Nano aquarium sets, cabinets LED lamp</b>	
6400 / 6401 / 6402 <b>aquastyle 16, 24, 35</b> .....	47
6406 <b>nanoshrimp 35</b> .....	48
6410 <b>nanomarine 35</b> .....	49
6500 / 6501 / 6502 <b>Cabinets black and white for aquastyle 16, 24, 35</b> .....	50, 51
6471 <b>powerLED</b> .....	52
<b>Equipment and accessories</b>	
3531 <b>Sludge extractor</b> .....	53
3533 <b>powerCleaner</b> .....	53
3535 <b>Surface suction extractor</b> .....	54
3536 <b>Surface suction extractor skim350</b> .....	54
3551 <b>skimmarine 100</b> .....	58
3540 <b>Undergravel filter throughflow principle</b> .....	59
3541 <b>Undergravel filter suction principle</b> .....	59
3582 <b>Automatic feeder TWIN</b> .....	60
3611 – 3619 <b>Aquarium heater thermocontrol</b> .....	86
3651 – 3657 <b>Aquarium heater thermopreset</b> .....	86
4002510 <b>Gravel cleaner ser.</b> .....	55
4003000 <b>air Filter</b> .....	55
4004300 <b>Universal installation kit1</b> .....	56
4004310 <b>Universal installation kit2</b> .....	56
4005300 <b>Universal installation kit1</b> .....	56
4005310 <b>Universal installation kit2</b> .....	56
4004320 <b>Prefilter</b> .....	57
4004620 <b>Prefilter</b> .....	57
3721 / 3722 / 3723 <b>UV-Sterilizer reflexUV 350, 500, 800</b> .....	62
<b>Fountain sets with jet</b>	
5100 / 5101 <b>PLAY 1000, 1500</b> .....	77
5102 / 5103 <b>PLAY 2500, 3500</b> .....	78
<b>Pond pumps</b>	
5110 / 7604 <b>FLOW 2500, 3500</b> .....	79
5111 / 5112 / 5113 / 5114 <b>FLOW 5000 – 12000</b> .....	80
<b>Pond filters</b>	
5200 / 5201 <b>LOOP 5000, 7000</b> .....	81
5202 / 5203 <b>LOOP 10000, 15000</b> .....	82
5210 <b>PRESS 7000</b> .....	83
5211 <b>PRESS 10000</b> .....	84
<b>Pond UV-Sterilizer</b>	
5300 / 5301 / 5302 / 5303 <b>CLEARUVC 7, 9, 11, 18</b> .....	85

# List of impellers and shafts for internal filters

Frequency (see type plate on pump housing)	Regions / Continent
50 Hz	Western & Eastern Europe, Africa, Australia, New Zealand
60 Hz	North- and Central America, Korea, Philippines, Saudi Arabia, Taiwan
50 Hz   60 Hz	Asia, South Amerika, Japan

Spare parts. Subject to change without prior notice.

		<b>EHEIM</b> aquaCorner	<b>EHEIM</b> pickUp				<b>EHEIM</b> miniFLAT	<b>EHEIM</b> miniUP	<b>EHEIM</b> skim350
		60	45	60	160	200			350
<b>Internal filters</b>									
<b>Type</b>		2000	2006	2008	2010	2012	2203	2204	3536
	50 Hz	7445858	7654600	7655250	7655250	7655400	7445858	7445858	7445858
	60 Hz	7445868	7654610	7655260	7655260	7655410	7445868	7445868	7445868
		--	7480500	7480500	7480500	7480500	--	--	--

		<b>EHEIM</b> aquaball				<b>EHEIM</b> biopower			<b>EHEIM</b> PowerLine	
		45	60	130	180	160	200	240	200	XL
<b>Internal filters</b>										
<b>Type</b>		2206 2400	2208 2401	2210 2402	2212 2403	2411	2412	2413	2048	2252
	50 Hz	7655400	7655400	7655460	7655460	7655460	7655460	7655440	7645950	7640950
	60 Hz	7655430	7645430	7655450	7655450	7655450	7655450	7655490	7645960	7640960
		7480500	7480500	7480500	7480500	7480500	7480500	7480500	7433710	7444400

# List of impellers and shafts external filters

Frequency (see type plate on pump housing)	Regions / Continent
50 Hz	Western & Eastern Europe, Africa, Australia, New Zealand
60 Hz	North- and Central America, Korea, Philippines, Saudi Arabia, Taiwan
50 Hz   60 Hz	Asia, South Amerika, Japan

Spare parts. Subject to change without prior notice.

		<b>EHEIM LIBERTY</b>			<b>EHEIM aquacompact</b>		<b>EHEIM classic</b>					
		75	130	200	40	60	150	250	350	600	1500XL	
<b>External filters</b>												
<b>Type</b>		2040	2041	2042	2004	2005	2211	2213 2313	2215 2315	2217 2317	2250	2260
	50 Hz	7600468	7600478	7600488	7635920	7635920	7632100	7632600	7633090	7633590	7640950	7653058
	60 Hz	7600158	7600168	7600178	7635930	7635930	7632110	7632610	7633100	7633600	7640960	7653068
		--	--	--	--	--	7433710	7433710	7438430	7438430	7444400	7443100

		<b>EHEIM ECCO<sup>PRO</sup></b>			<b>EHEIM ECCO</b>			<b>EHEIM professional</b>					
		130	200	300				250,250T					
<b>External filters</b>													
<b>Type</b>		2032	2034	2036	2231 2232	2233 2234	2235 2236	2222 2322	2224 2324	2226 2326	2227 2327	2228 2328	2229 2329
	50 Hz	7603350	7603350	7603450	7600420	7600420	7600430	7657360	7657360	7656200	7656200	7656200	7656200
	60 Hz	7600420	7600420	7600430	7600420	7600420	7600430	7657370	7657370	7656210	7656210	7656210	7656210
		7444390	7444390	7444390	7444390	7444390	7444390	7433720	7433720	7444400	7444400	7444400	7444400

		<b>EHEIM professional III</b>		<b>EHEIM experience</b>			<b>EHEIM professional 3</b>		<b>EHEIM professional 4+</b>		<b>EHEIM professional 3<sup>e</sup></b>		
				150	250 250T	350	250 250T	350	600 350T	1200XL 1200XL T	350	450	700 600T
<b>External filters</b>													
<b>Type</b>		2026 2126	2028 2128	2422	2424 2124	2426	2071/2271 2171/2371	2073 2273	2075/2275 2173/2371	2080 2180	2074 2274	2076	2078 2178
	50 Hz	7656180	7656180	7657360	7657360	7656200	7603420	7603330	7603330	7603058	7603220	7603220	7603220
	60 Hz	7656190	7656190	7657370	7657370	7656210	7603350	7603340	7603340	7603068	7603220	7603220	7603220
		7444390	7444390	7433720	7433720	7444400	7444390	7444390	7444390	7444390	7428590	7428590	7428590

# List of impellers and shafts for aquarium pumps

Frequency <small>(see type plate on pump housing)</small>		Regions / Continent
50 Hz		Western & Eastern Europe, Africa, Australia, New Zealand
60 Hz		North- and Central America, Korea, Philippines, Saudi Arabia, Taiwan
50 Hz	60 Hz	Asia, South Amerika, Japan

Spare parts. Subject to change without prior notice.

		<b>EHEIM compact</b>			<b>EHEIM compact+</b>			
		300	600	1000	2000	3000	5000	marine
<b>Aquarium pumps</b>								
<b>Type</b>		1000	1001	1002	1100	1101	1102	1103
	50 Hz	7445858	7445878	7445898	7446448	7446468	7446488	7447218
	60 Hz	7445868	7445888	7445908	7446458	7446478	7446498	7447448
		--	--	--	--	--	--	--

		<b>EHEIM streamON</b>			<b>EHEIM streamON+</b>			<b>EHEIM compactON</b>			
		1800 2000	3000 4000	3800 5000	300	600	1000	2100	3000	5000	
<b>Aquarium pumps</b>											
<b>Type</b>		1070 1080	1071 1081	1072 1082	1020	1021	1022	1100	1101	1102	
	50 Hz	7448158	7448258	7448358	7633658	7633678	7633698	7604458	7633738	7604078	
	60 Hz	7448168	7448268	7448368	7633668	7633688	7633708	7604468	7633748	7604088	
		--	--	--	--	--	--	7482020	7482020	--	

		<b>EHEIM compactIII</b>		<b>EHEIM universal</b>				
				300	600	1200	2400	3400
<b>Aquarium pumps</b>								
<b>Type</b>		1212	1005	1046	1048	1250/1252	1260	1262
	50 Hz	7655460	7652950	7644990	7645990	7640900	7653058	7653058
	60 Hz	7655450	7652960	7644980	7645980	7640910	7653068	7653068
		7480500	7442480	7433720	7433720	7444400	7443100	7443100

# List of impellers and shafts for pond pumps and pond filters

Frequency (see type plate on pump housing)	Regions / Continent
50 Hz	Western & Eastern Europe, Africa, Australia, New Zealand
60 Hz	North- and Central America, Korea, Philippines, Saudi Arabia, Taiwan
50 Hz   60 Hz	Asia, South Amerika, Japan

Spare parts. Subject to change without prior notice.

		<b>EHEIM</b>				<b>PLAY</b>				<b>PRESS</b>	
						1000	1500	2500	3500	7000	10000
<b>Pond pumps and Pond filters</b>											
<b>Type</b>		3146	3148	3250	3160 3260/64	5100	5101	5102	5103	5210	5211
	50 Hz	7644990	7645990	7640900	7653058	7604058	7604258	7604458	7604478	7604458	7604478
	60 Hz	7644980	7645980	7640910	7653068	--	--	--	--	--	--
		7433720	7433720	7444400	7443100	--	--	7482020	7482020	7482020	7482020

		<b>FLOW</b>					<b>LOOP</b>				
		2500	3500	5000	6500	9000	12000	5000	7000	10000	15000
<b>Pond pumps and Pond filters</b>											
<b>Type</b>		7604	5110	5111	5112	5113	5114	5200	5201	5202	5203
	50 Hz	7604458	7604478	7604028	7604078	7604178	7604278	7604258	7604458	7604478	7604028
	60 Hz	--	--	--	--	--	--	--	--	--	--
		7482020	7482020	--	--	--	--	--	7482020	7482020	--

# List of spare pump heads



Spare parts. Subject to change without prior notice.

			<b>EHEIM</b> aquacompact	<b>EHEIM</b> PowerLine		<b>EHEIM</b> classic					
			40, 60	200	XL	150	250	350	600	1500XL	
<b>Aquarium filters</b>											
⚡	🌐	Type	2004/2005	2048	2252	2211	2213	2215	2217	2250	2260
230V/50Hz	Europe		1205010	1048219	1252219	1211019	1213019	1215019	1217019	1253229	1260220
240V/50Hz	UK		1205110	--	--	--	1213119	1215119	1217119	1253349	1260350
	Australia		--	--	--	--	1213129	1215129	1217129	--	1260360
120V/60Hz	USA		1205090	1048319	--	--	--	1215099	1217099	--	1260310
100V/50Hz	Japan		1205080	--	1252289	1211089	1213089	1215089	1217079	1253289	1260280
100V/60Hz				--	1252329				1217109	1253329	1260320
220V/60Hz	USA		--	--	1252419	--	1213189	1215189	1217189	--	--
	Korea		1205200	--	--	--	--	--	--	--	1260420







			<b>EHEIM</b> eccopro		<b>EHEIM</b> ecco		<b>EHEIM</b> professionel III	<b>EHEIM</b> professionel		
			130, 200	300				250, 250T		
<b>Aquarium filters</b>										
⚡	🌐	Type	2032 2034	2036	2231/2233 2232/2234	2235 2236	2026/2126 2028/2128	2222/2322 2224/2324	2226/2326 2228/2328	2227/2327 2229/2329
230V/50Hz	Europe		1334010	1336010	1234010	1236010	--	1224019	1228019	<b>Not longer available</b>
240V/50Hz	UK		1334110	1336110	1234110	1236110	--	1224119	1228119	
	Australia		--	--	1234120	1236120	--	1224129	1228129	
120V/60Hz	USA		--	--	--	--	--	1224099	--	
100V/50Hz	Japan		--	--	1234070	1236070	--	1224079	1228079	
100V/60Hz			--	--					1228109	
220V/60Hz	USA		--	--	1234180	1236180	--	1224189	1228189	
	Korea		--	--	1234200	1236200	--	1224209	1228209	

			<b>EHEIM</b> experience		<b>EHEIM</b> <b>EHEIM</b> professionel 3    profesional4+				<b>EHEIM</b> professionel 3 <sup>e</sup>			
			150, 250/250	T350	250 250T	350	600 350T	1200 XL	1200 XLT	350	450	700 600T
<b>Aquarium filters</b>												
⚡	🌐	Type	2422 2424	2426	2071 2171	2073	2075 2173	2080	2180	2074	2076	2078 2178
230V/50Hz	Europe		1224019	1228019	1271010	1275010	1275010	1280010	1780010	1274000	1276000	1278000
240V/50Hz	UK		1224119	1228119	1271110	1275110	1275110	1280110	1780110			
	Australia		1224129	1228129	1271120	1275120	1275120	1280120	1780120			
120V/60Hz	USA		1224099	--	1271090	1275090	1275090	1280090	1780090			
100V/50Hz	Japan		1224079	1228079	1271080	1275080	1275080	1280070	1780070			
100V/60Hz				1228109				1280100	1780100			
220V/60Hz	USA		1224189	1228189	--	--	--	1280180	1780180			
	Korea		1224209	1228209	--	--	--	1280200	--			

# List of spare pump heads

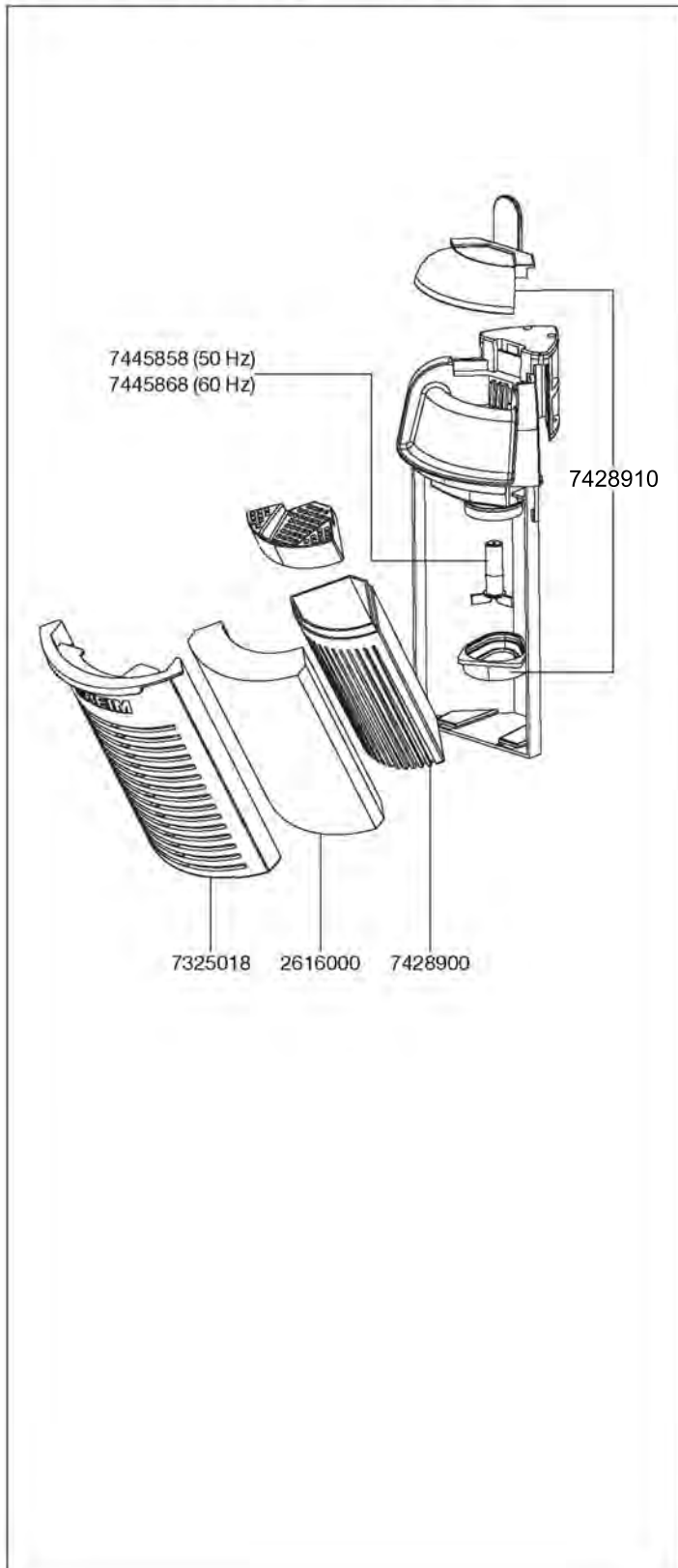


Spare parts. Subject to change without prior notice.

		<b>EHEIM</b> <i>professionel4+</i>			<b>EHEIM</b> <i>professionel4°+</i>
		250 250T	350	600 350T	350
<b>Aquarium filters</b>					
	 Type	2271 2371	2273	2275 2373	2274
230V/50Hz	Europe	1371010	1375010	1375010	1374000
240V/50Hz	UK	1371110	1375110	1375110	



Spare parts. Subject to change without prior notice.



Order no.	Spare part
2616000	Filter cartridge (2 pieces)
7325018	Filter cover
7428900	Mediabox with cover
7428910	Set cover
7445858	Impeller (50 Hz)
7445868	Impeller (60 Hz)



**2203 Shallow water filter** **EHEIM**  
miniFLAT

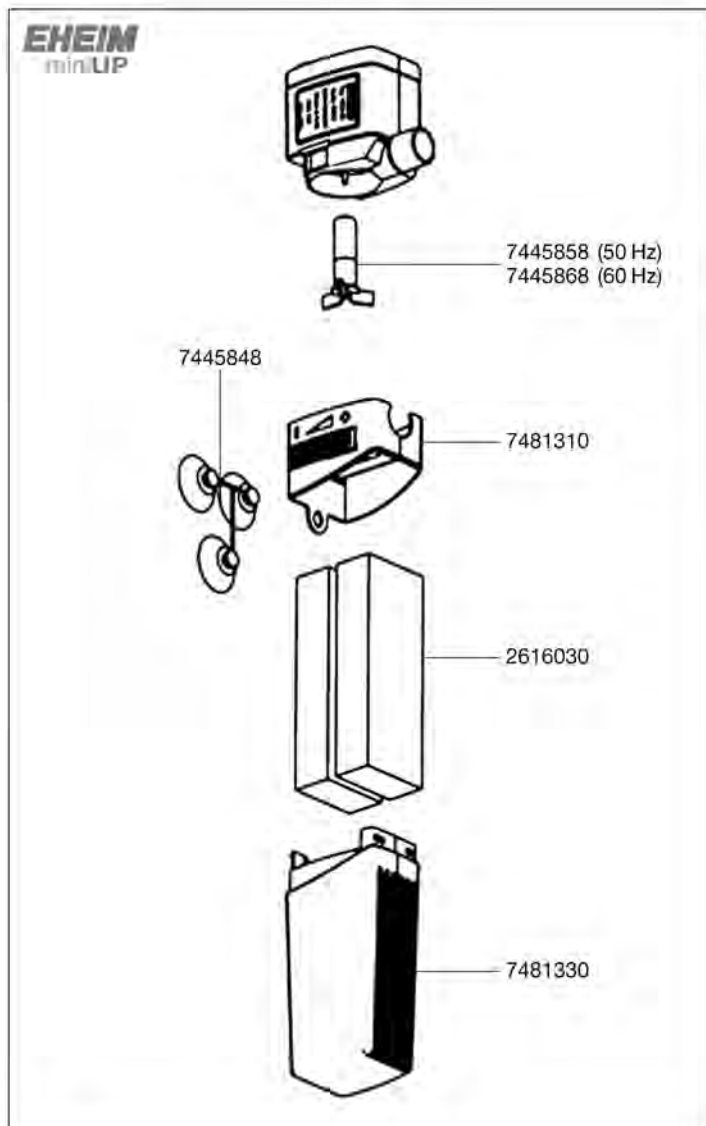
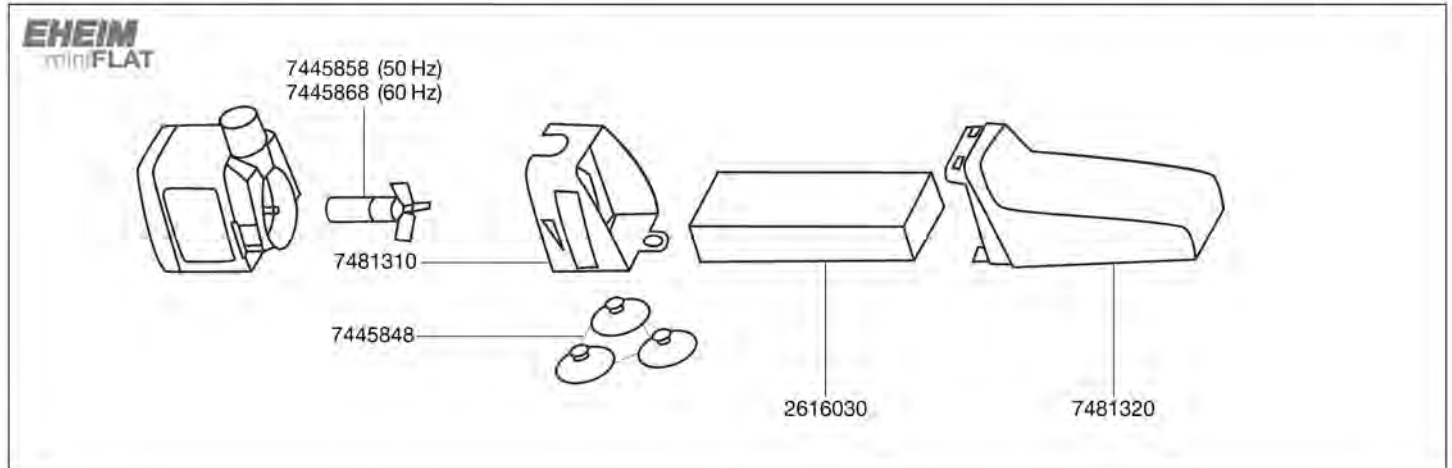
**2204 Internal filter** **EHEIM**  
miniUP

**EHEIM**  
miniFLAT

**EHEIM**  
miniUP



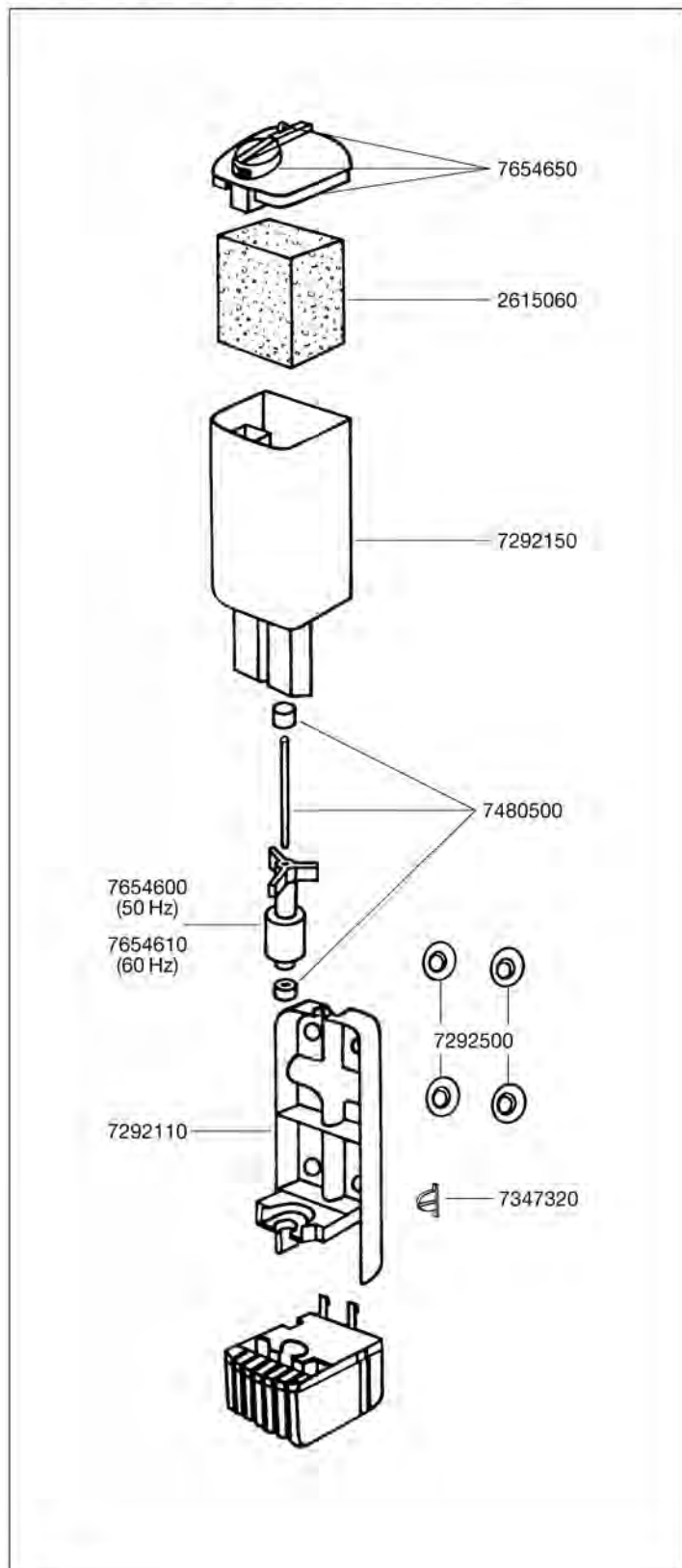
Spare parts. Subject to change without prior notice.



Order no.	Spare part
2616030	Filter cartridge (2 pieces)
7445848	Suction cup (4 pieces)
7445858	Impeller (50 Hz)
7445868	Impeller (60 Hz)
7481310	Pump cover with power regulator
7481320	Filter basket with filter cartridge (1 piece) for miniFLAT
7481330	Filter basket with filter cartridge (2 pieces) for miniUP



Spare parts. Subject to change without prior notice.



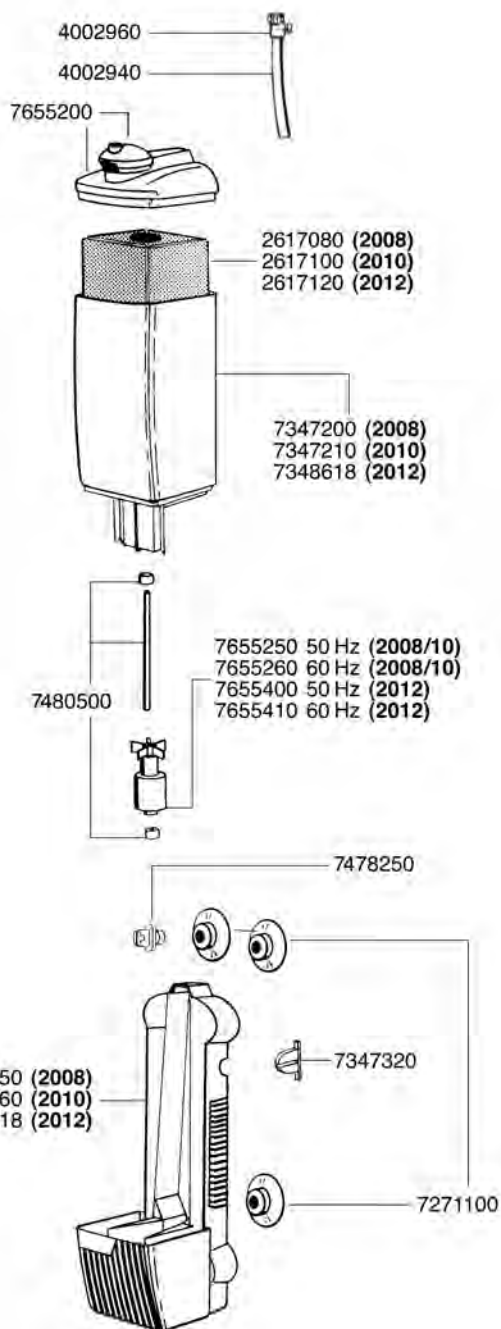
Order no.	Spare part
2615060	Filter cartridge (2 pieces)
7292500	Suction cup (4 pieces)
7292110	Back panel
7292150	Filter body
7347320	Locking piece (2 pieces)
7480500	Shaft with bushings
7654600	Impeller (50 Hz)
7654610	Impeller (60 Hz)
7654650	Filter body lid complete with jet and power regulator

**2008 Internal filter – pickup 60**  
**2010 Internal filter – pickup 160**  
**2012 Internal filter – pickup 200**



Spare parts. Subject to change without prior notice.

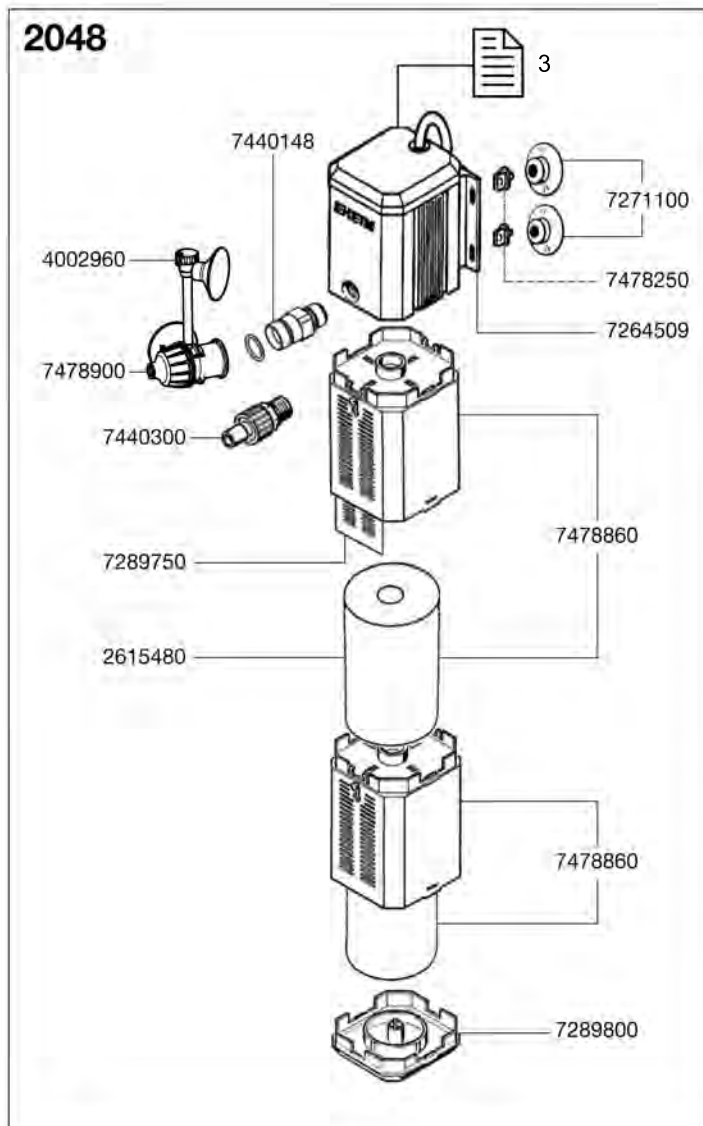
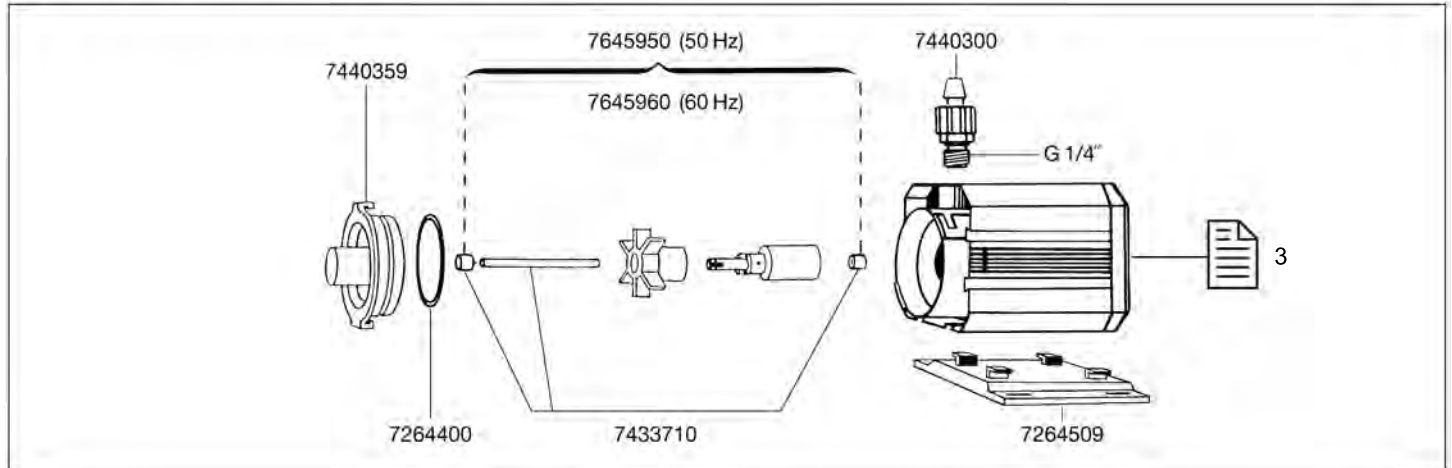
**2008/2010/2012**



Order no.	Spare part
2617080	Filter cartridge (2 pieces)
2617100	Filter cartridge (2 pieces)
2617120	Filter cartridge (2 pieces)
4002940	Hose ø 4/6 mm
4002960	Air regulating clamp
7271100	Suction cup (4 pieces)
7347200	Filter body for 2008
7347210	Filter body for 2010
7347320	Locking piece (2 pieces)
7347450	Back panel without motor housing for 2008
7347460	Back panel without motor housing for 2010
7348618	Filter body for 2012
7348818	Back panel without motor housing for 2012
7478250	Attachment lug (4 pieces)
7480500	Shaft with bushings
7655200	Filter body lid complete with diffusor and regulating jet
7655250	Impeller (50 Hz) for 2008/2010
7655260	Impeller (60 Hz) for 2008/2010
7655400	Impeller (50 Hz) for 2012
7655410	Impeller (60 Hz) for 2012



Spare parts. Subject to change without prior notice.



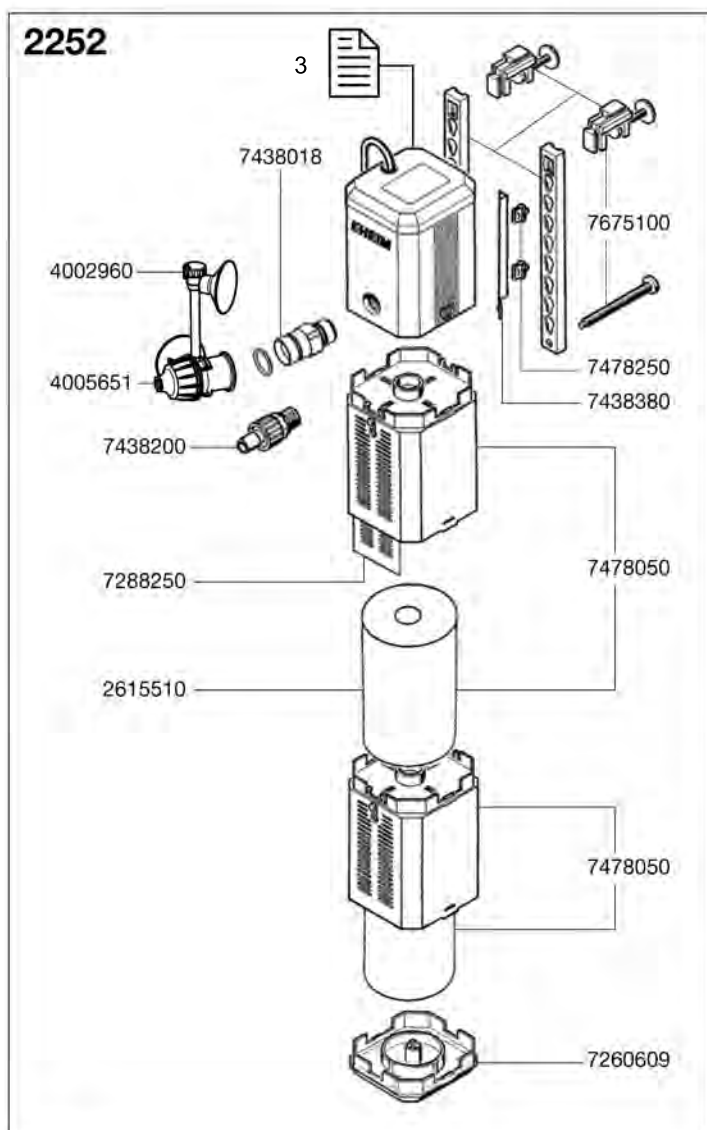
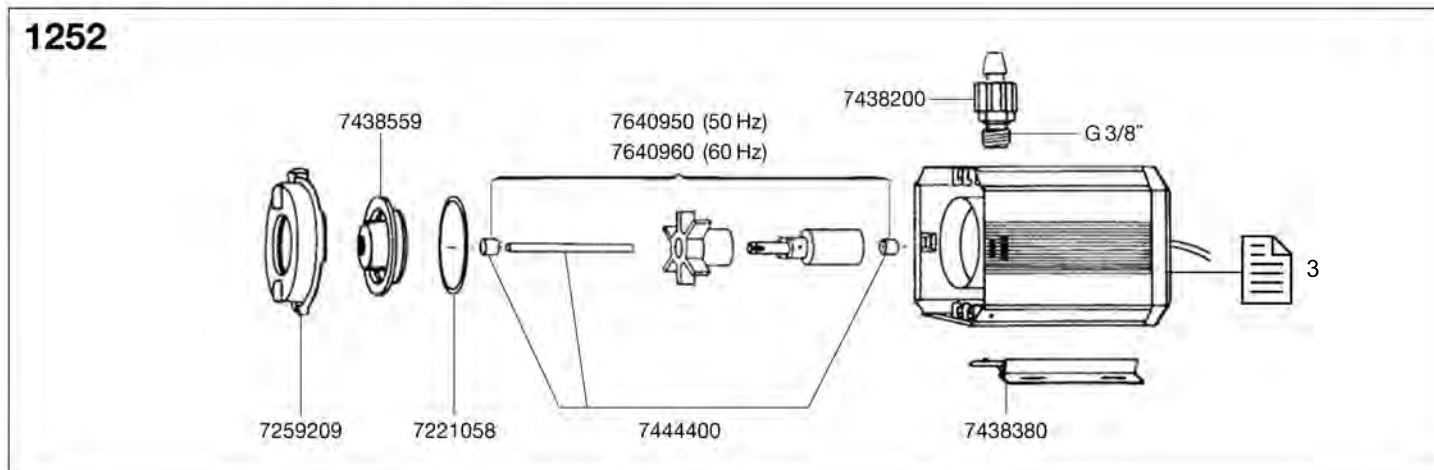
Order no.	Spare part	1048 / 3148
2615485	Coarse foam (2 pieces)	
4002960	Air regulating clamp for hose	
4009560	Set of cleaning brushes (not shown)	
7264400	O-ring (2 pieces)	
7264509	Mounting plate	
7271100	Suction cup (4 pieces)	
7289750	Sliding valve	
7289800	Filter bottom	
7433710	Shaft with bushings for 2048	
7440148	Adapter for Installation Kit	
7440300	Threaded connector pressure side	
7440359	Pump cover with bushing	
7478250	Attachment lug (4 pieces)	
7478860	Filter body with cartridge	
7478900	Diffusor	
7645950	Impeller (50 Hz) complete with shaft and bushings	
7645960	Impeller (60 Hz) complete with shaft and bushings	

# 1252 Pump for internal filter 2252

## 2252 Internal filter



Spare parts. Subject to change without prior notice.

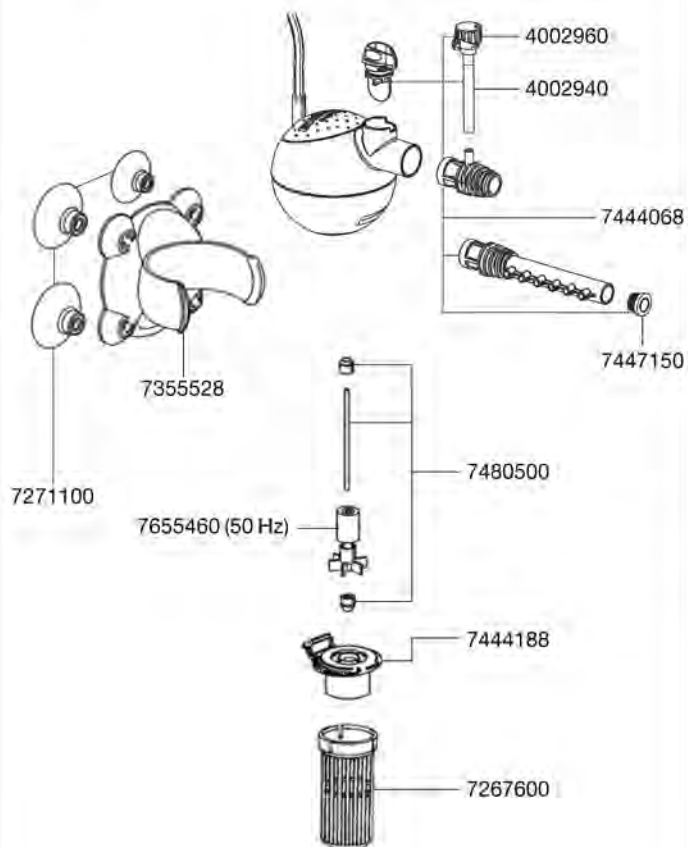


Order no.	Spare part	1252 / 2252
2615510	Filter cartridge (2 pieces)	
4002960	Air regulating clamp for hose	
4005651	Diffusor	
4009560	Set of cleaning brushes (not shown)	
7221058	O-ring (2 pieces)	
7259209	Holding ring	
7260609	Filter bottom	
7288250	Sliding valve	
7438018	Adapter for Installation Kit	
7438200	Threaded connector pressure side	
7438380	Attachment sleeves left and right and 2 panels	
7438559	Pump cover	
7444400	Shaft with bushings	
7478050	Filter body with cartridge	
7478250	Attachment lug (4 pieces)	
7640950	Impeller (50 Hz) complete with shaft and bushings	
7640960	Impeller (60 Hz) complete with shaft and bushings	
7675100	Holding brackets	



Spare parts. Subject to change without prior notice.

## 1212

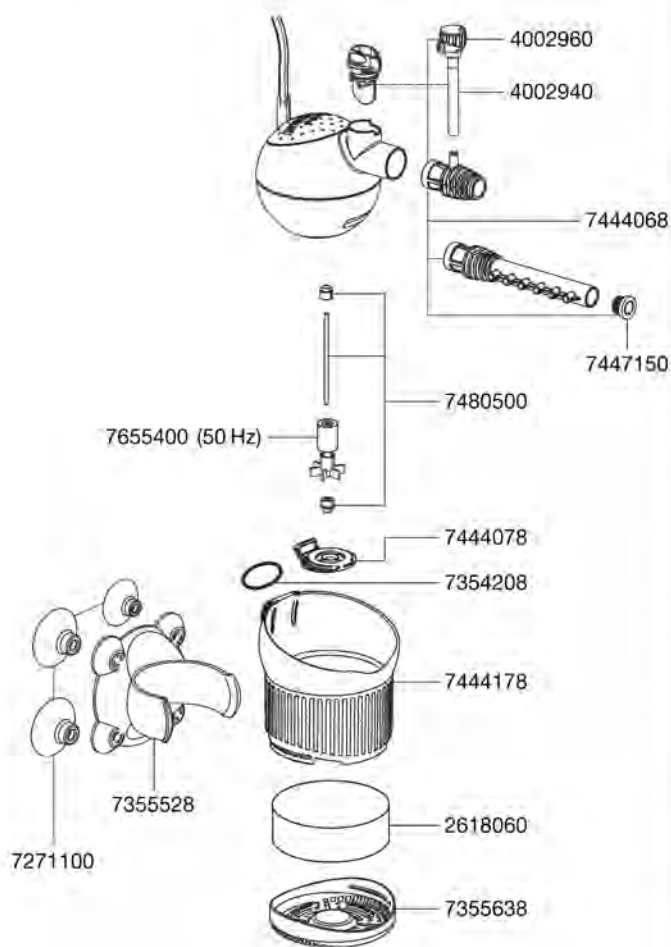


Order no.	Spare part
4002940	Hose $\varnothing$ 4/6 mm
4002960	Air regulator
7267600	Inlet strainer
7271100	Suction cup (4 pieces)
7355528	Holder
7444068	Power regulator with diffuser and jet pipe
7444188	Pump cover with bushing
7447150	Set of pipe plugs
7480500	Shaft with bushings
7655460	Impeller (50 Hz) for 1212
7655450	Impeller (60 Hz) for 1212



Spare parts. Subject to change without prior notice.

## 2206

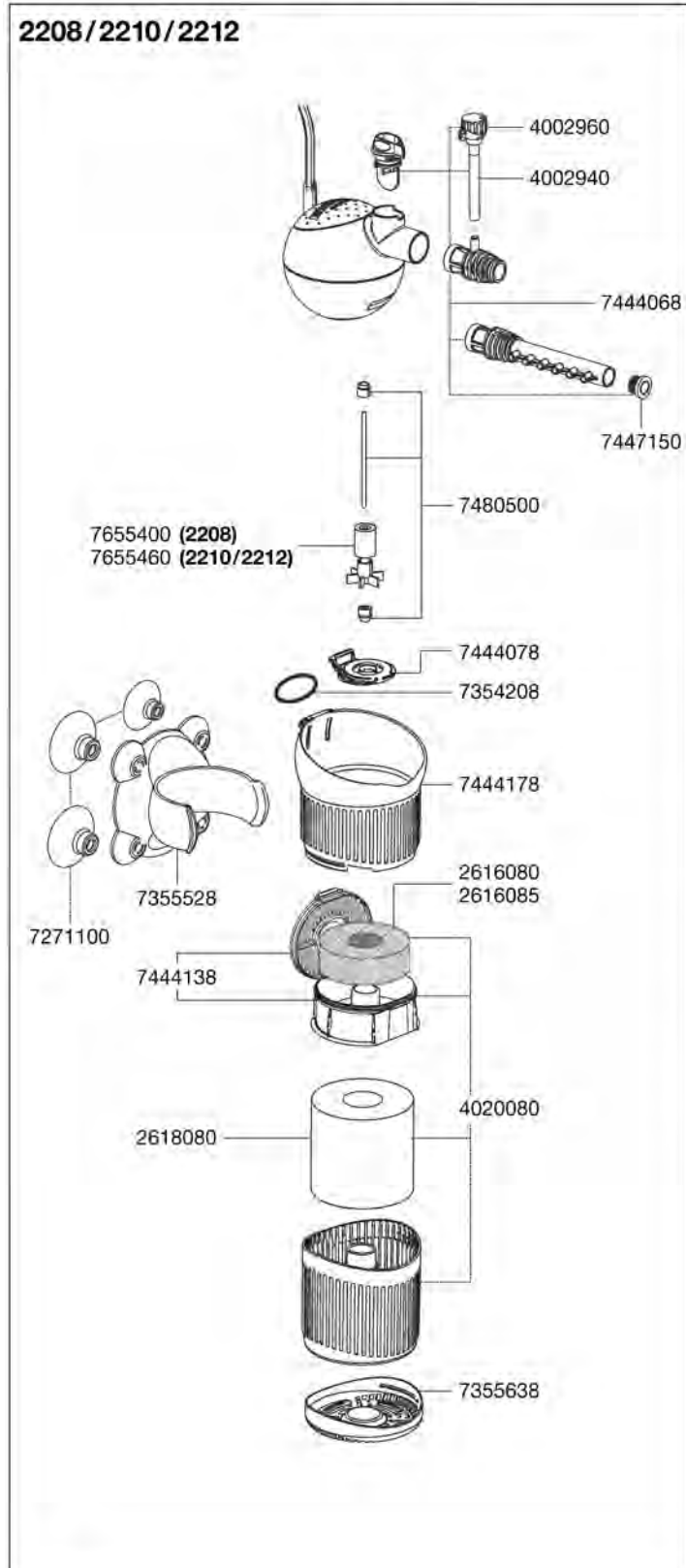


Order no.	Spare part
2618060	Filter cartridge (2 pieces)
4002940	Hose ø 4/6 mm
4002960	Air regulator
4020080	Up-grade-kit 2206 to 2208: Filter basket with filter cartridge and media-box with filter pad (not shown)
7271100	Suction cup (4 pieces)
7354208	Tensioning ring (3 pieces)
7355528	Holder
7355638	Filter bottom
7444068	Power regulator with diffuser and jet pipe
7444078	Pump cover with bushing
7444178	Pump head holding basket with securing ring
7447150	Set of pipe plugs
7480500	Shaft with bushings
7655400	Impeller (50 Hz) for 2206
7655430	Impeller (60 Hz) for 2206

**2208 Internal filter**  
**2210 Internal filter**  
**2212 Internal filter**



Spare parts. Subject to change without prior notice.

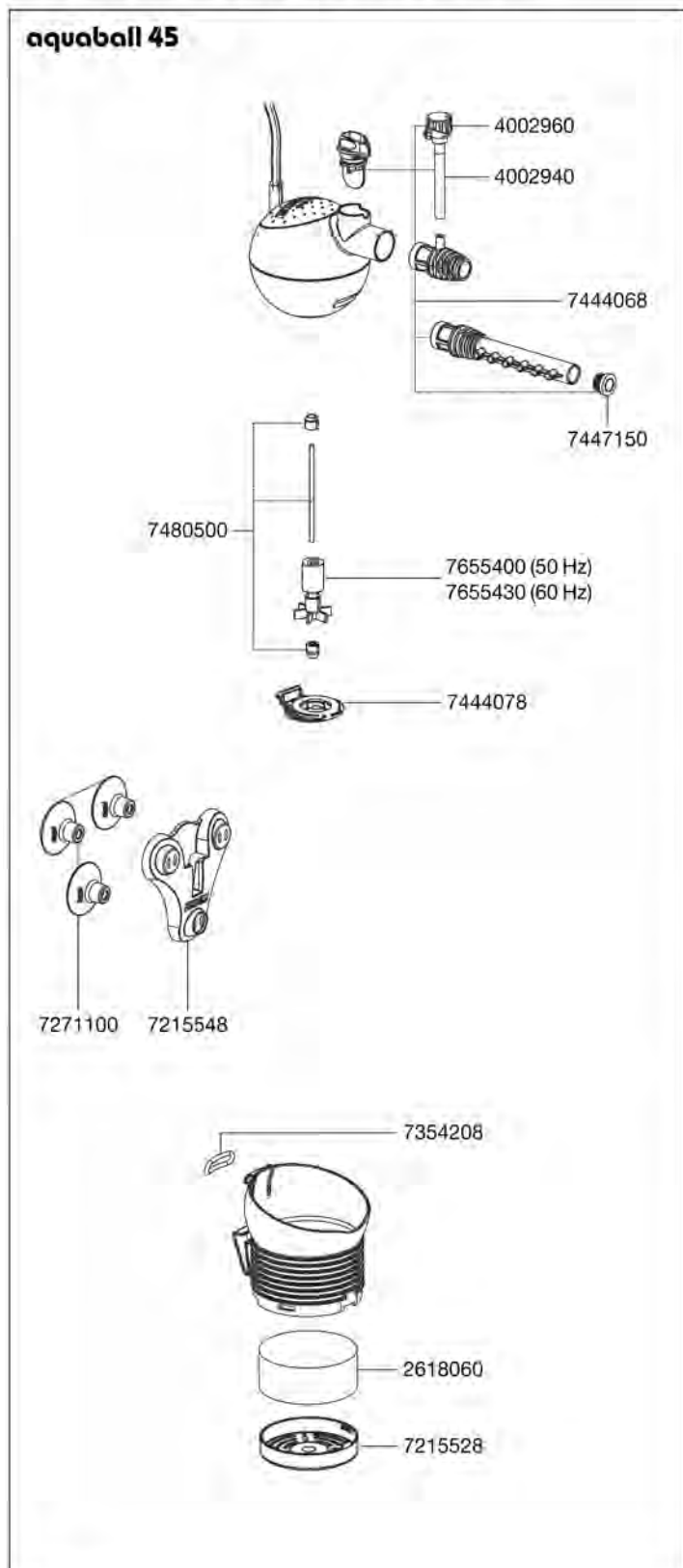


Order no.	Spare part
2616080	Fine filter pad for mediabox (3 pieces)
2616085	Filter pad for mediabox (2 pieces)
2618080	Filter cartridge (2 pieces)
4002940	Hose $\varnothing$ 4/6 mm
4002960	Air regulator
4020080	Up-grade-kit: Filter basket with filter cartridge and mediabox with filter pad (not shown)
7271100	Suction cup (4 pieces)
7354208	Tensioning ring (3 pieces)
7355528	Holder
7355638	Filter bottom
7444068	Power regulator with diffuser and jet pipe
7444078	Pump cover with bushing
7444138	Mediabox with filter pad
7444178	Pump head holding basket with securing ring
7447150	Set of pipe plugs
7480500	Shaft with bushings
7655400	Impeller (50 Hz) for 2208
7655430	Impeller (60 Hz) for 2208
7655450	Impeller (60 Hz) for 2210/2212
7655460	Impeller (50 Hz) for 2210/2212





Spare parts. Subject to change without prior notice.



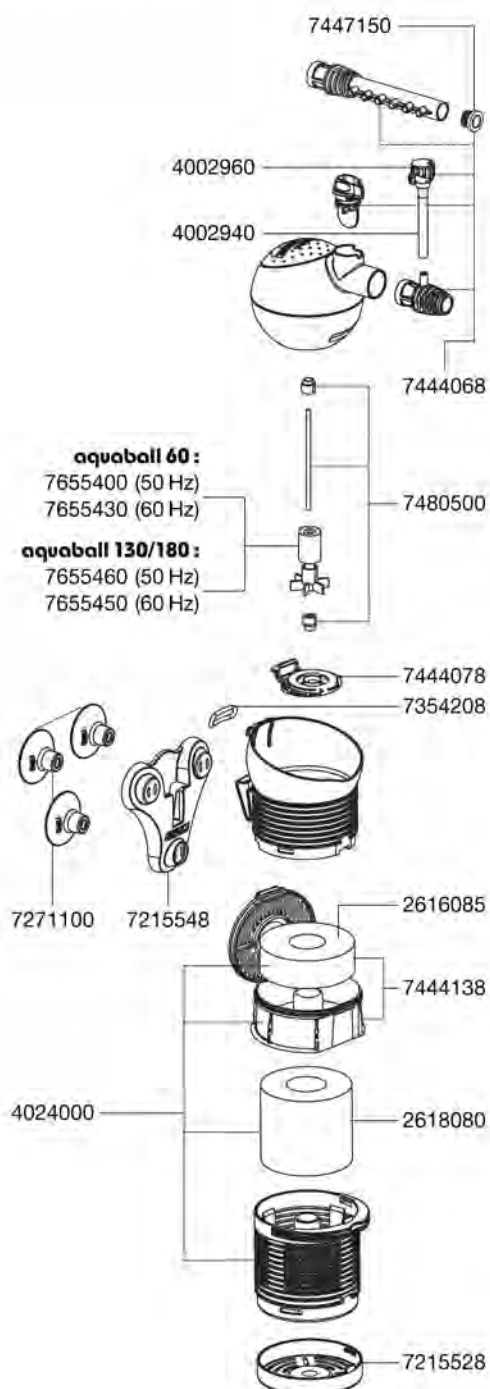
Order no.	Spare part
2618060	Filter cartridge (2 pieces)
4002940	Hose $\varnothing$ 4/6 mm
4002960	Air regulator
4024000	Up-grade-kit 2400 to 2401: Filter basket with filter cartridge and media box with filter pad (not shown)
7215528	Filter bottom
7215548	Holder
7271100	Suction cup (4 pieces)
7354208	Tensioning ring (3 pieces)
7444068	Power regulator with diffuser and jet pipe
7444078	Pump cover with bushing
7447150	Pipe plug
7480500	Shaft with bushings
7655400	Impeller (50 Hz) for 2401
7655430	Impeller (60 Hz) for 2401
7655450	Impeller (60 Hz) for 2402 and 2403
7655460	Impeller (50 Hz) for 2402 and 2403

**2401 Internal filter – aquaball 60**  
**2402 Internal filter – aquaball 130**  
**2403 Internal filter – aquaball 180**



Spare parts. Subject to change without prior notice.

**aquaball 60, 130, 180**



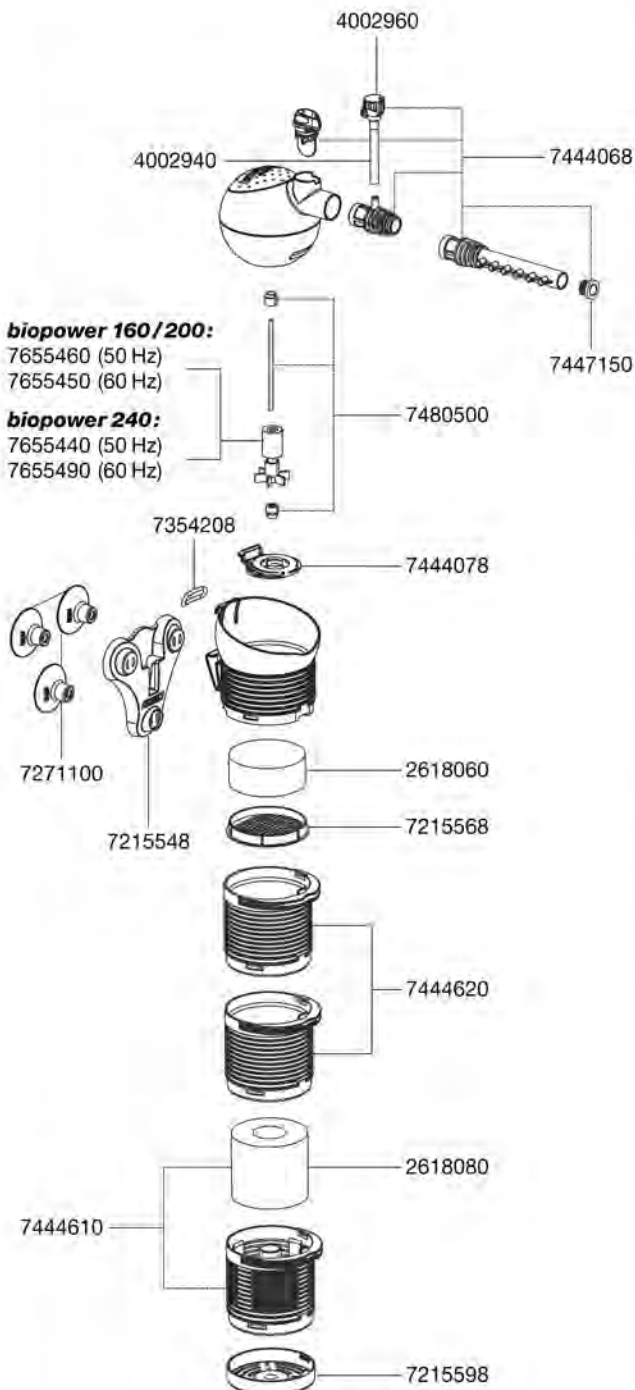
Order no.	Spare part
2616085	Filter pad for media box (2 pieces)
2618080	Filter cartridge (2 pieces)
4002940	Hose ø 4/6 mm
4002960	Air regulator
4024000	Up-grade-kit 2401 to 2402: Filter basket with filter cartridge and media box with filter pad
7215528	Filter bottom
7215548	Holder
7271100	Suction cups (4 pieces)
7354208	Tensioning ring (3 pieces)
7444068	Power regulator with diffuser and jet pipe
7444078	Pump cover with bushing
7444138	Media box with filter pad
7447150	Pipe plug
7480500	Shaft with bushings
7655400	Impeller (50 Hz) for 2401
7655430	Impeller (60 Hz) for 2401
7655460	Impeller (50 Hz) for 2402 and 2403
7655450	Impeller (60 Hz) for 2402 and 2403

**2411 Internal filter – biopower 160**  
**2412 Internal filter – biopower 200**  
**2413 Internal filter – biopower 240**



Spare parts. Subject to change without prior notice.

**biopower 160, 200, 240**

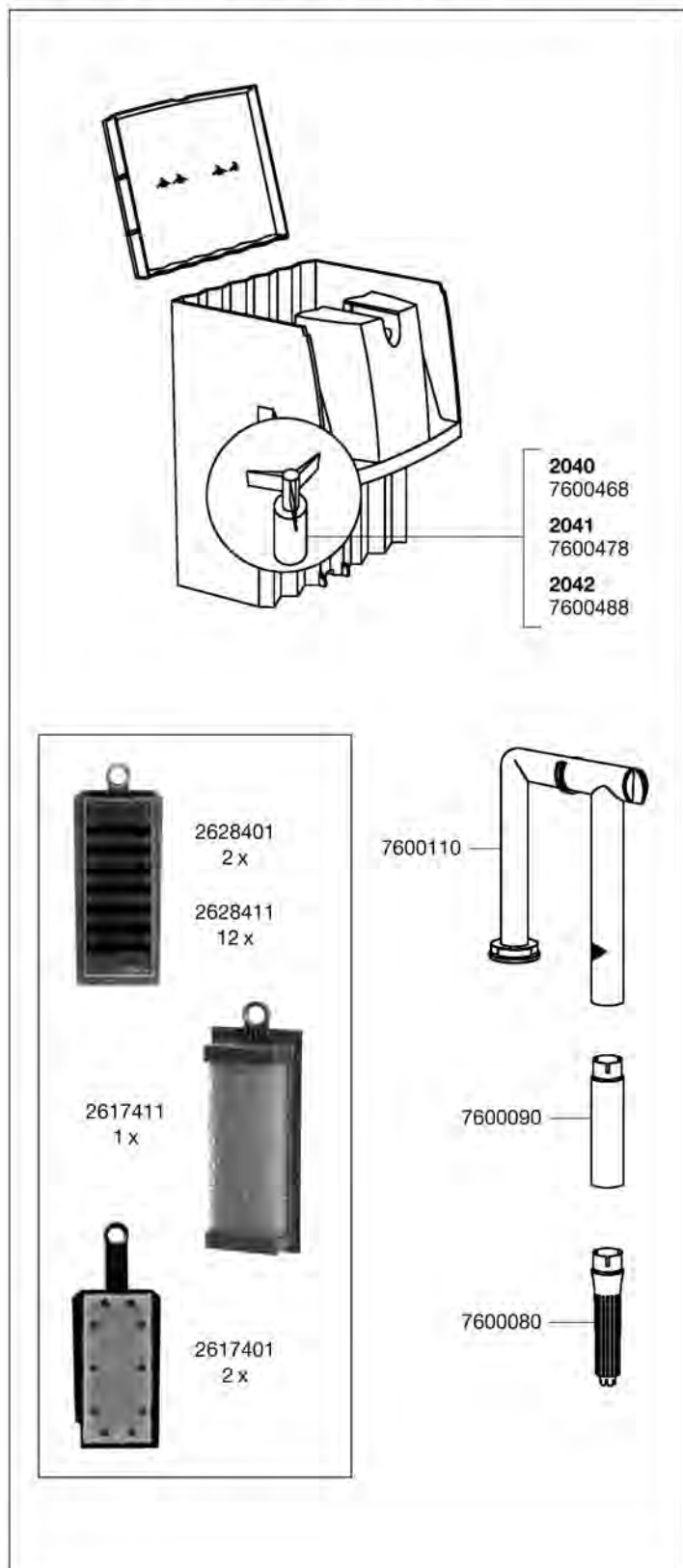


Order no.	Spare part
2618060	Fine filter cartridge (2 pieces)
2618080	Prefilter cartridge (2 pieces)
4002940	Hose $\varnothing$ 4/6 mm
4002960	Air regulator
7215548	Holder
7215598	Filter bottom
7215568	Cover grate
7271100	Suction cup (4 pieces)
7354208	Tensioning ring (3 pieces)
7444068	Power regulator with diffuser and jet pipe
7444078	Pump cover with bushing
7444610	Prefilter and prefilter cartridge
7444620	Filter canister
7447150	Pipe plug
7480500	Shaft with bushings
7655440	Impeller (50 Hz) for 2413
7655450	Impeller (60 Hz) for 2411 and 2412
7655460	Impeller (50 Hz) for 2411 and 2412
7655490	Impeller (60 Hz) for 2413

**2040 External filter**  
**2041 External filter**  
**2042 External filter**



Spare parts. Subject to change without prior notice.

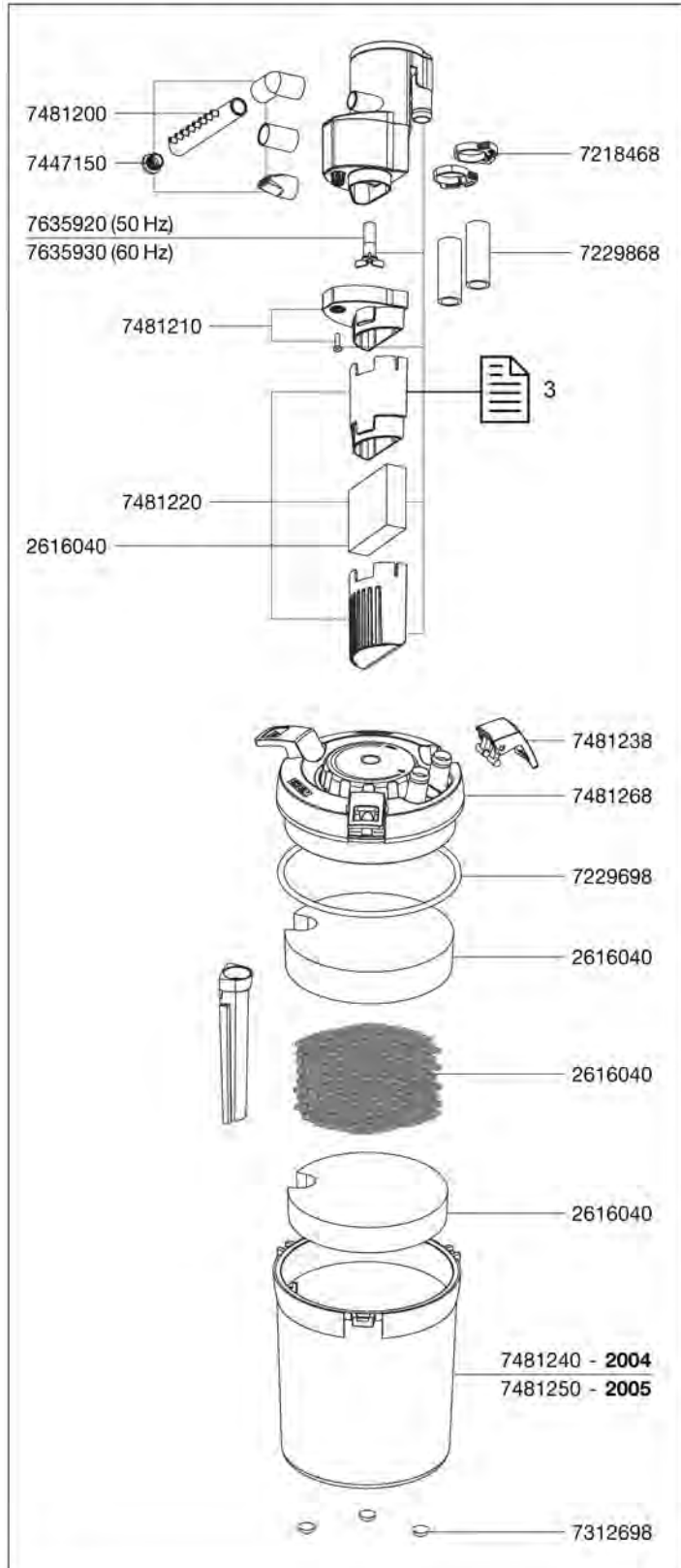


Order no.	Spare part
2628401	3D active carbon insert (2 pieces)
2628411	3D active carbon insert (12 pieces)
2617401	Bio foam cartridge (2 pieces)
2617411	Bio foam cartridge large
7600158	Impeller (60 Hz) for 2040
7600168	Impeller (60 Hz) for 2041
7600178	Impeller (60 Hz) for 2042
7600468	Impeller (50 Hz) for 2040
7600478	Impeller (50 Hz) for 2041
7600488	Impeller (50 Hz) for 2042
7600110	Suction tube
7600090	Extension for suction tube (2 pieces)
7600080	Inlet strainer

**2004 External filter aqua compact 40**  
**2005 External filter aqua compact 60**



Spare parts. Subject to change without prior notice.



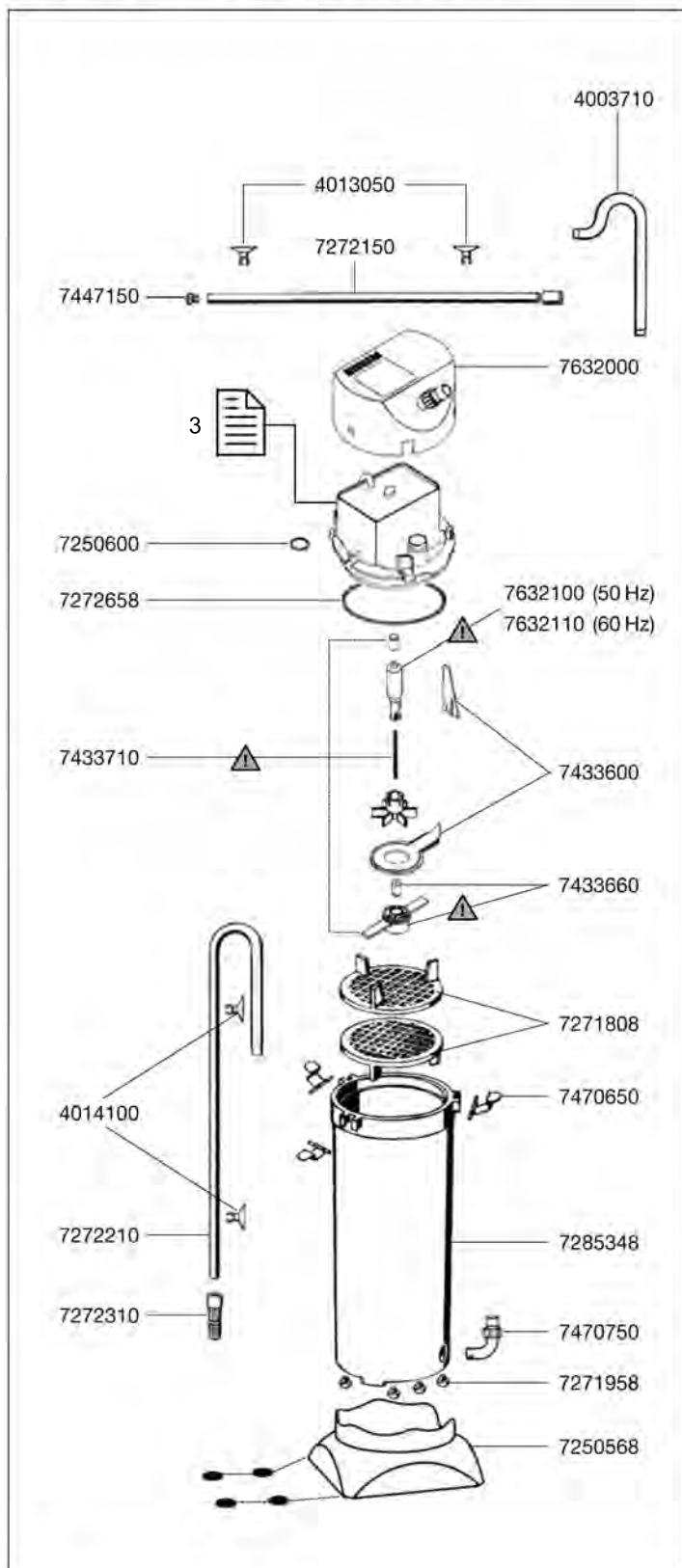
Order no.	Spare part
2616040	Set of filter pads (2x blue, 3x white) for <b>aqua compact 40</b> and <b>60</b>
7218468	Hose clamp (2 pieces)
7229698	Sealing ring
7229868	Silicon hose ø 12/16 mm (2x 25 cm)
7312698	Rubber feet (4 pieces)
7447150	Set of pipe plugs
7481200	Connection set, consisting of: jet nozzle, lower elbow connector, sleeve, outlet jet pipe, pipe plug
7481210	Cover for pump chamber with screw
7481220	Extension with inlet strainer
7481238	Fastening clip (3 pieces)
7481240	Filtermedia container <b>aqua compact 40</b>
7481250	Filtermedia container <b>aqua compact 60</b>
7481268	Filter container head
7635920	Impeller (50 Hz)
7635930	Impeller (60 Hz)

# 1211 Pump head

## 2211 External filter – classic 150



Spare parts. Subject to change without prior notice.



Order no.	Spare part
4003710	Outlet pipe
4003943	Hose, pressure side ø 9/12 mm (3 m)
4004940	Hose, suction side ø 12/16 mm (3 m)
4009560	Set of cleaning brushes (not shown)
4013050	Suction cup with clip ø 10 mm (2 pieces)
4014100	Suction cup with clip ø 13 mm (2 pieces)
7250568	Support
7250600	O-ring (2 pieces)
7271808	Lattice screen
7271958	Rubber feet set (5 pieces)
7272150	Outlet jet pipe
7272210	Intake pipe
7272310	Inlet strainer
7272658	Sealing ring
7285348	Canister
7400008	Filter bag (not shown)
7433600	Pump cover with insert
<b>7433660</b>	<b>Securing piece with bushing (for 1211, 1213 and 1713) For 1011, 1013 and 1513 only suitable in conjunction with item 7433710</b>
<b>7433710</b>	<b>Set: Ceramic shaft with bushing (for 1211, 1213 and 1713) For 1011, 1013 and 1513 only suitable in conjunction with item 7433660</b>
7447150	Set of pipe plugs
7470650	Spring clip (4 pieces)
7470750	Threaded connector
7632000	Cover
<b>7632100</b>	<b>Impeller (50 Hz) for 1011, 1013 and 1015 only suitable in conjunction with item 7433660 and 7433710</b>
<b>7632110</b>	<b>Impeller (60 Hz) for 1011, 1013 and 1015 only suitable in conjunction with item 7433660 and 7433710</b>

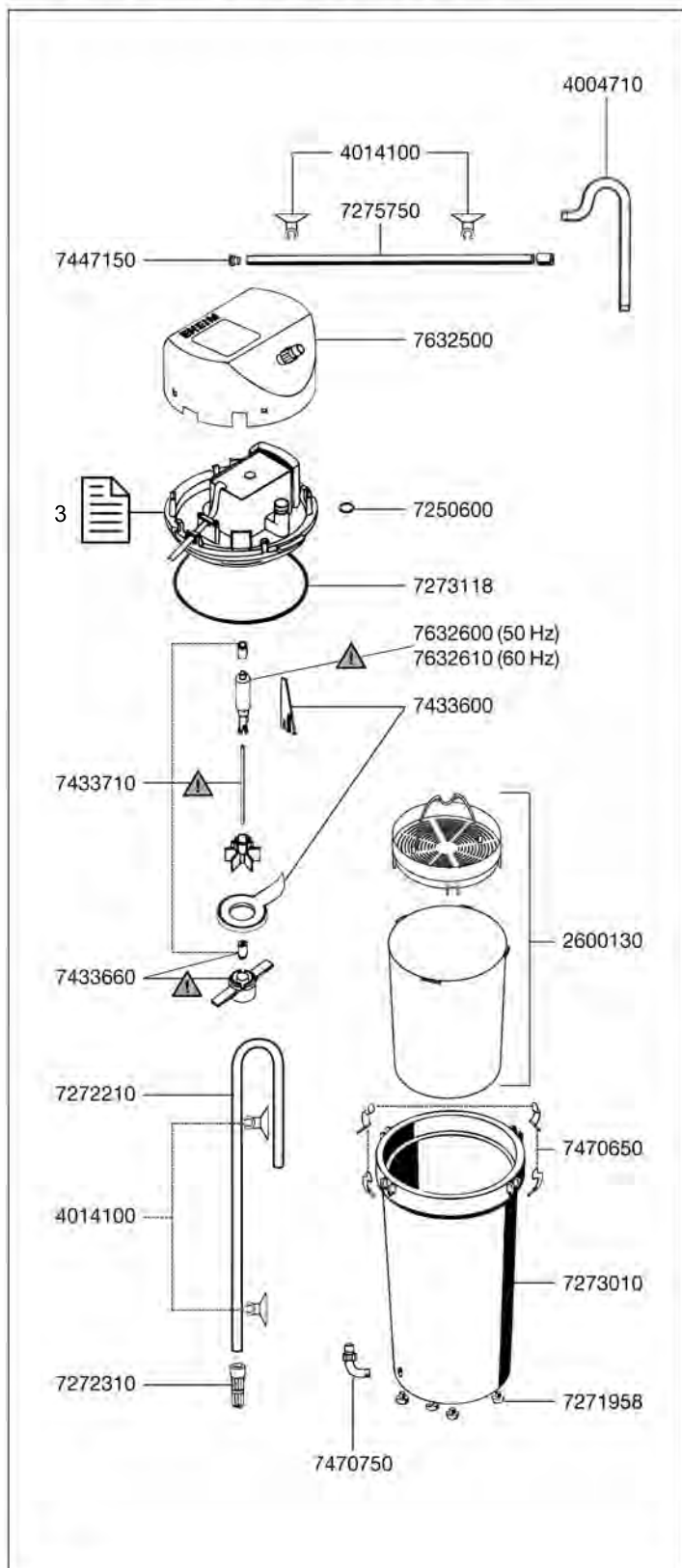


# 1213 Pump head

## 2213 External filter – classic 250



Spare parts. Subject to change without prior notice.



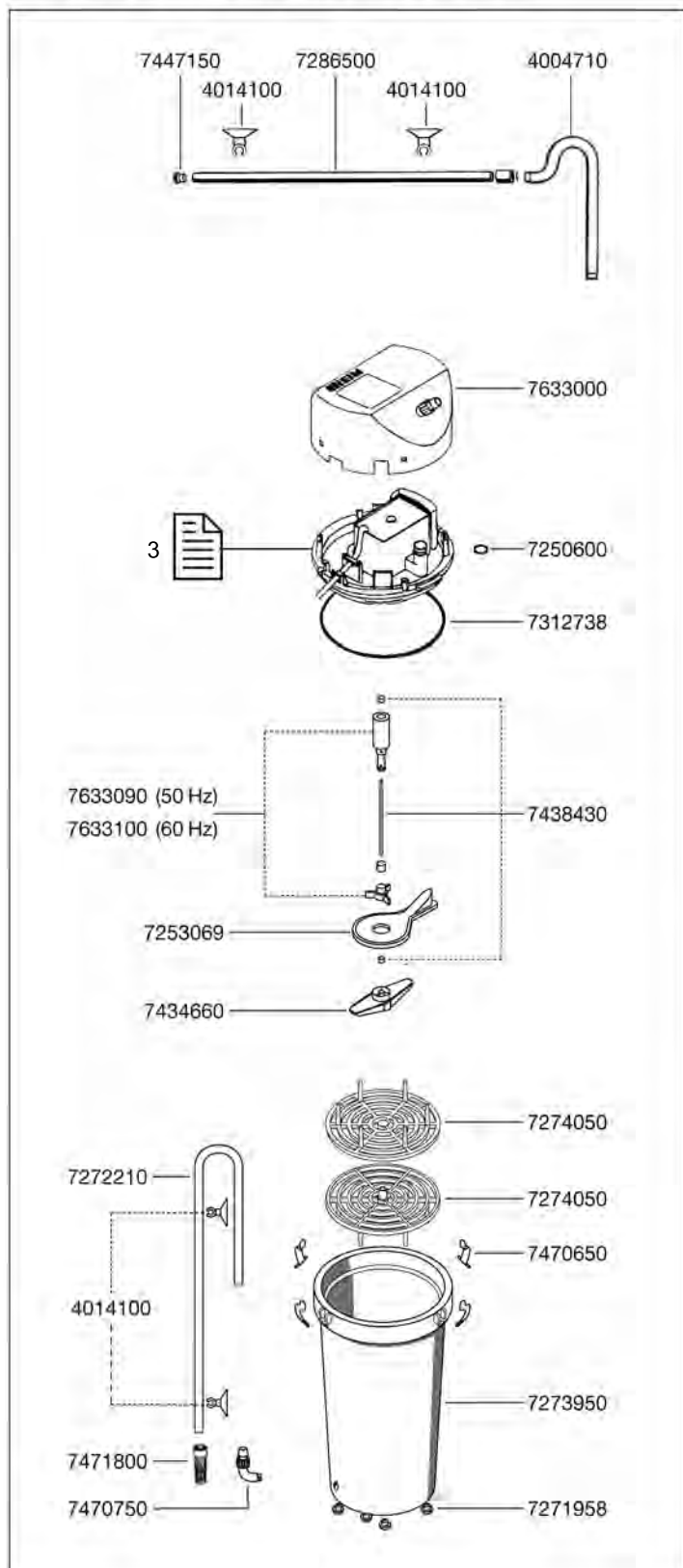
Order no.	Spare part
2600130	Filter media container (not for 2313)
4004710	Outlet pipe
4004943	Hose, pressure and suction side ø 12/16 mm (3 m)
4009560	Set of cleaning brushes (not shown)
4014100	Suction cup with clip ø 13 mm (2 pcs.)
7250600	O-ring (2 pieces)
7271958	Rubber feet set (5 pieces)
7272210	Intake pipe ø 13 mm
7272310	Inlet strainer
7273010	Canister
7273050	Lattice screen (for 2213 without filter media container)
7273118	O-ring
7275750	Outlet jet pipe
7400008	Filter bag (not shown)
7433600	Pump cover with insert
<b>7433660</b>	<b>Securing piece with bushing (for 1211, 1213 and 1713) For 1011, 1013 and 1513 only suitable in conjunction with item 7433710</b>
<b>7433710</b>	<b>Set: Ceramic shaft with bushing (for 1211, 1213 and 1713) For 1011, 1013 and 1513 only suitable in conjunction with item 7433660</b>
7447150	Set of pipe plugs
7470650	Spring clip (4 pieces)
7470750	Threaded connector
7632500	Cover
<b>7632600</b>	<b>Impeller (50 Hz) for 1011, 1013 and 1015 only suitable in conjunction with item 7433660 and 7433710</b>
<b>7632610</b>	<b>Impeller (60 Hz) for 1011, 1013 and 1015 only suitable in conjunction with item 7433660 and 7433710</b>

# 1215 Pump head

## 2215 External filter – classic 350



Spare parts. Subject to change without prior notice.



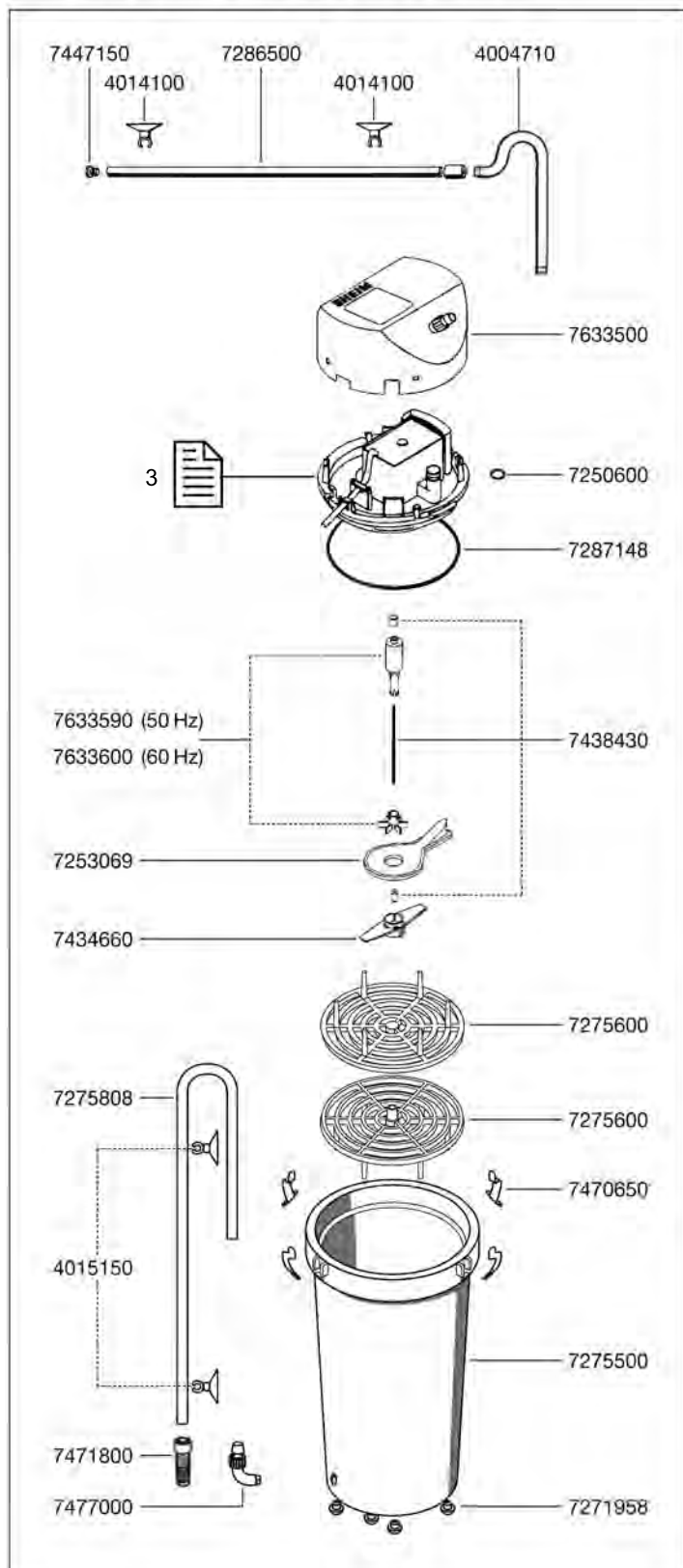
Order no.	Spare part
4004710	Outlet pipe
4004943	Hose, pressure and suction side ø 12/16 mm (3 m)
4009560	Set of cleaning brushes (not shown)
4014100	Suction cup with clip ø 13 mm (2 pieces)
7250600	Sealing ring (2 pieces)
7253069	Pump cover
7271958	Rubber feet set (5 pieces)
7272210	Intake pipe
7273950	Canister
7274050	Lattice screen
7286500	Outlet jet pipe
7312738	Sealing ring
7400008	Filter bag (not shown)
7434660	Securing piece with bushing
7438430	Shaft with bushings
7447150	Set of pipe plugs
7470650	Spring clip (4 pieces)
7470750	Threaded connector
7471800	Inlet strainer
7633000	Cover
7633090	Impeller 50 Hz – from series 88011
7633100	Impeller 60 Hz – from series 88011



# 1217 Pump head 2217 External filter – classic 600



Spare parts. Subject to change without prior notice.

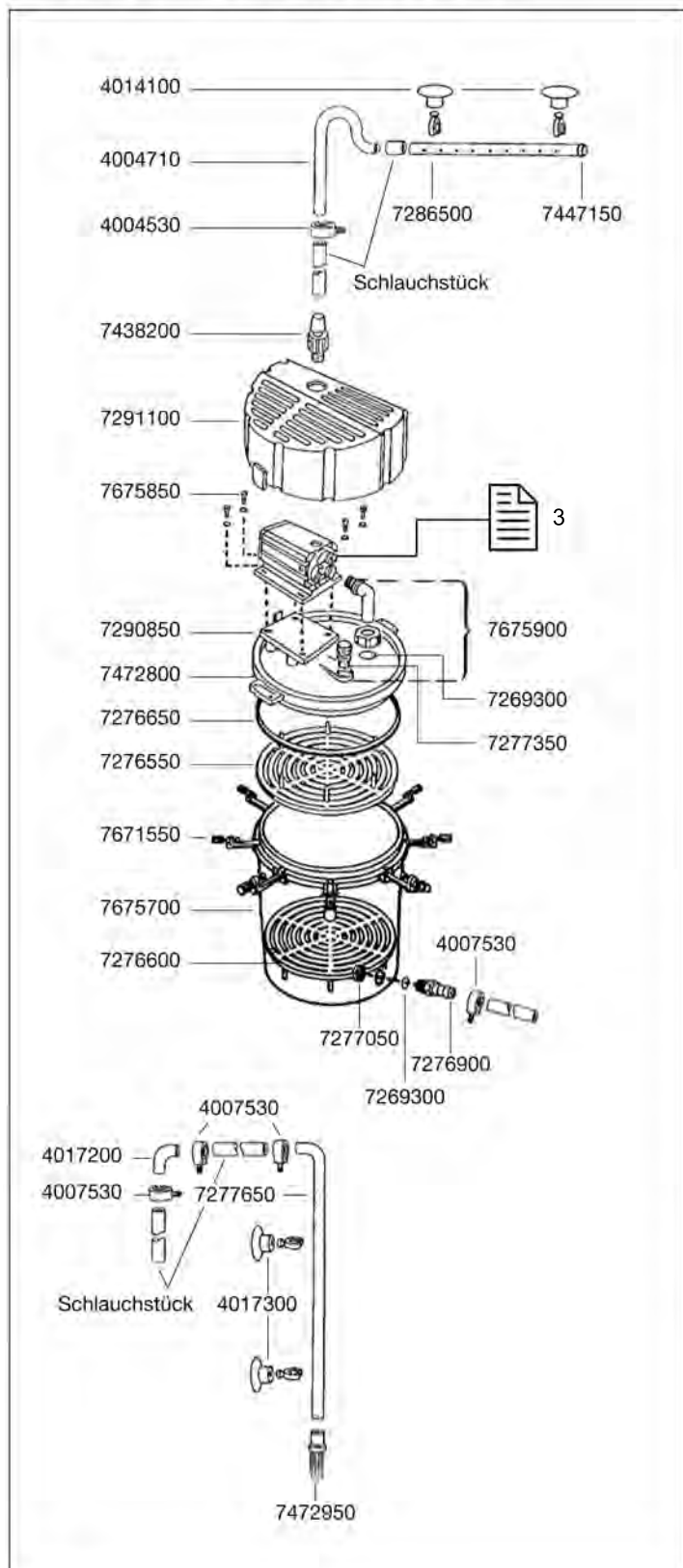


Order no.	Spare part
4004710	Outlet pipe
4004943	Hose, pressure side ø 12/16 mm (3 m)
4005943	Hose, suction side ø 16/22 mm (3 m)
4009560	Set of cleaning brushes (not shown)
4014100	Suction cup with clip ø 13 mm (2 pcs.)
4015150	Suction cup with clip ø 17 mm (2 pcs.)
7250600	Sealing ring (2 pieces)
7253069	Pump cover
7271958	Rubber feet set (5 pieces)
7275500	Canister
7275600	Lattice screen
7275808	Intake pipe
7286500	Outlet jet pipe
7287148	Sealing ring
7400008	Filter bag (not shown)
7434660	Securing piece with bushing
7438430	Shaft with bushings
7447150	Set of pipe plugs
7470650	Spring clip (4 pieces)
7471800	Inlet strainer
7477000	Threaded connector
7633500	Cover
7633590	Impeller 50 Hz – from series 88011
7633600	Impeller 60 Hz – from series 88011

# 2250 External filter



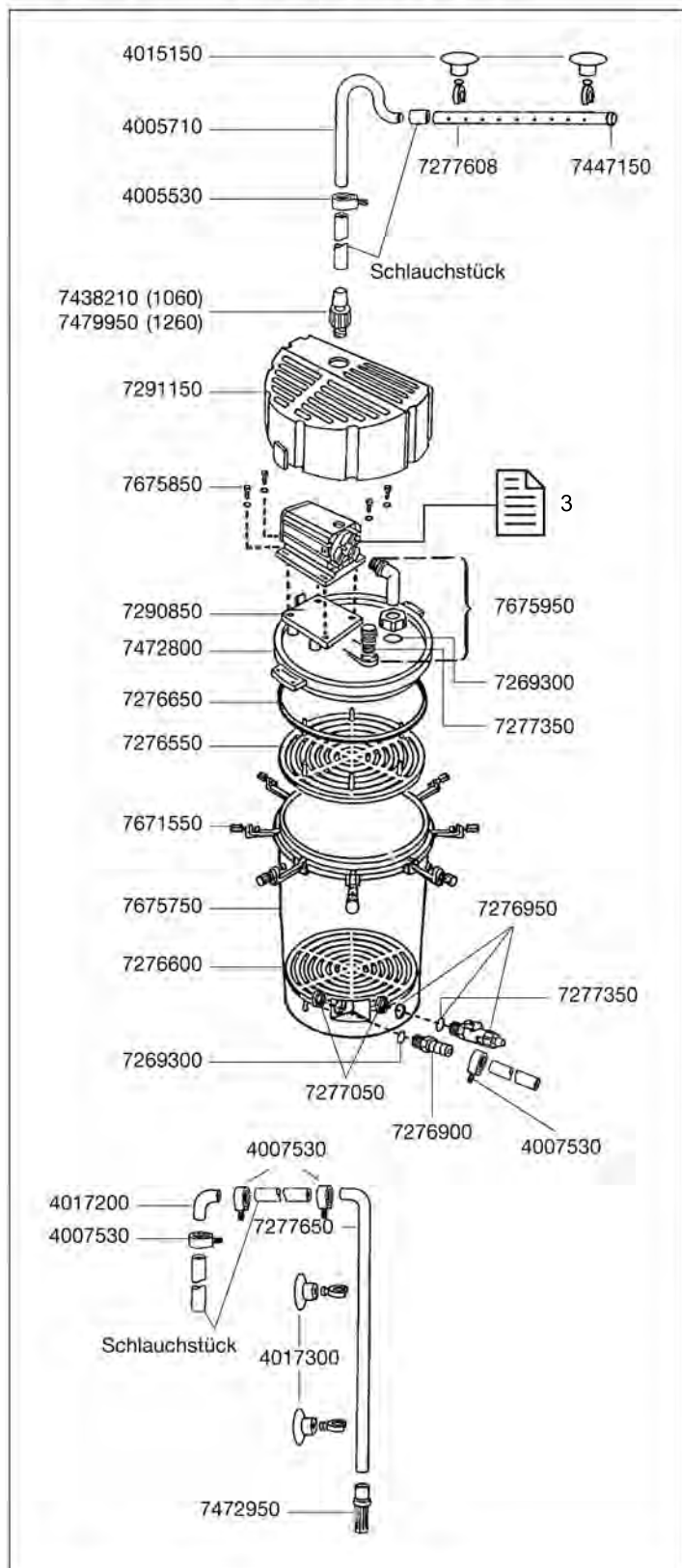
Spare parts. Subject to change without prior notice.



Order no.	Spare part
4004530	Hose clamp (2 pieces)
4004710	Outlet pipe
4004943	Hose, pressure side ø 12/16 mm (3 m)
4005943	Hose, suction side ø 16/22 mm (3 m)
4007530	Hose clamp (2 pieces)
4009560	Set of cleaning brushes (not shown)
4014100	Suction cup with clip
4017200	Elbow connector
4017300	Suction cup with clip
7269300	Sealing ring
7276550	Top lattice screen
7276600	Lower lattice screen
7276650	Sealing ring
7276900	Threaded connector
7277050	Plastic nut (2 pieces)
7277350	Sealing ring
7277650	Intake pipe
7286500	Outlet jet pipe
7290850	Base plate
7291100	Cover
7438200	Threaded outlet connector G 3/8"
7447150	Set of pipe plugs
7472800	Canister lid
7472900	Filter bag (not shown)
7472950	Inlet strainer
7671550	Lid securing clamp
7675700	Canister with lid securing clamp
7675850	Attachment set complete
7675900	Suction elbow set



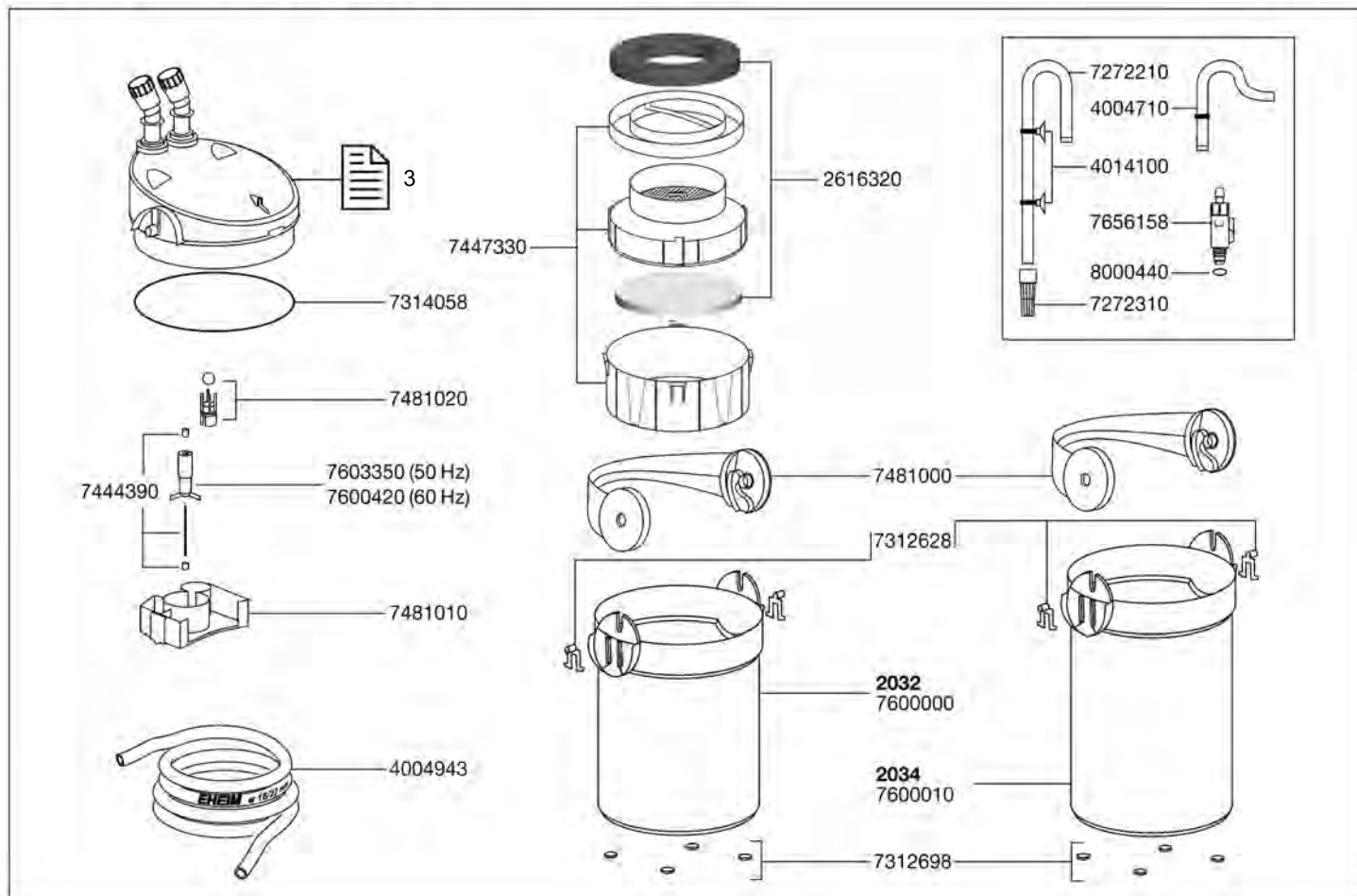
Spare parts. Subject to change without prior notice.



Order no.	Spare part
4005530	Hose clamp (2 pieces)
4005710	Outlet pipe
4005943	Hose, pressure side ø 16/22 mm (3 m)
4007940	Hose, suction side ø 25/34 mm (3 m)
4007530	Hose clamp (2 pieces)
4009560	Set of cleaning brushes (not shown)
4015150	Suction cup with clip
4017200	Elbow connector
4017300	Suction cup with clip
7269300	Sealing ring
7276550	Top lattice screen
7276600	Lower lattice screen
7276650	Sealing ring
7276900	Threaded connector
7276950	Canister drain tap with plastic nut and sealing ring
7277050	Plastic nut (2 pieces)
7277350	Sealing ring
7277608	Outlet jet pipe
7277650	Intake pipe
7290850	Base plate
7291150	Cover
7438210	Threaded connector press. side (1060)
7447150	Set of pipe plugs
7472800	Canister lid
7472900	Filter bag (not shown)
7472950	Inlet strainer
7479950	Threaded connector press. side (1260)
7671550	Lid securing clamp
7675750	Canister with lid securing clamp
7675850	Attachment set complete
7675950	Suction elbow set



Spare parts. Subject to change without prior notice.

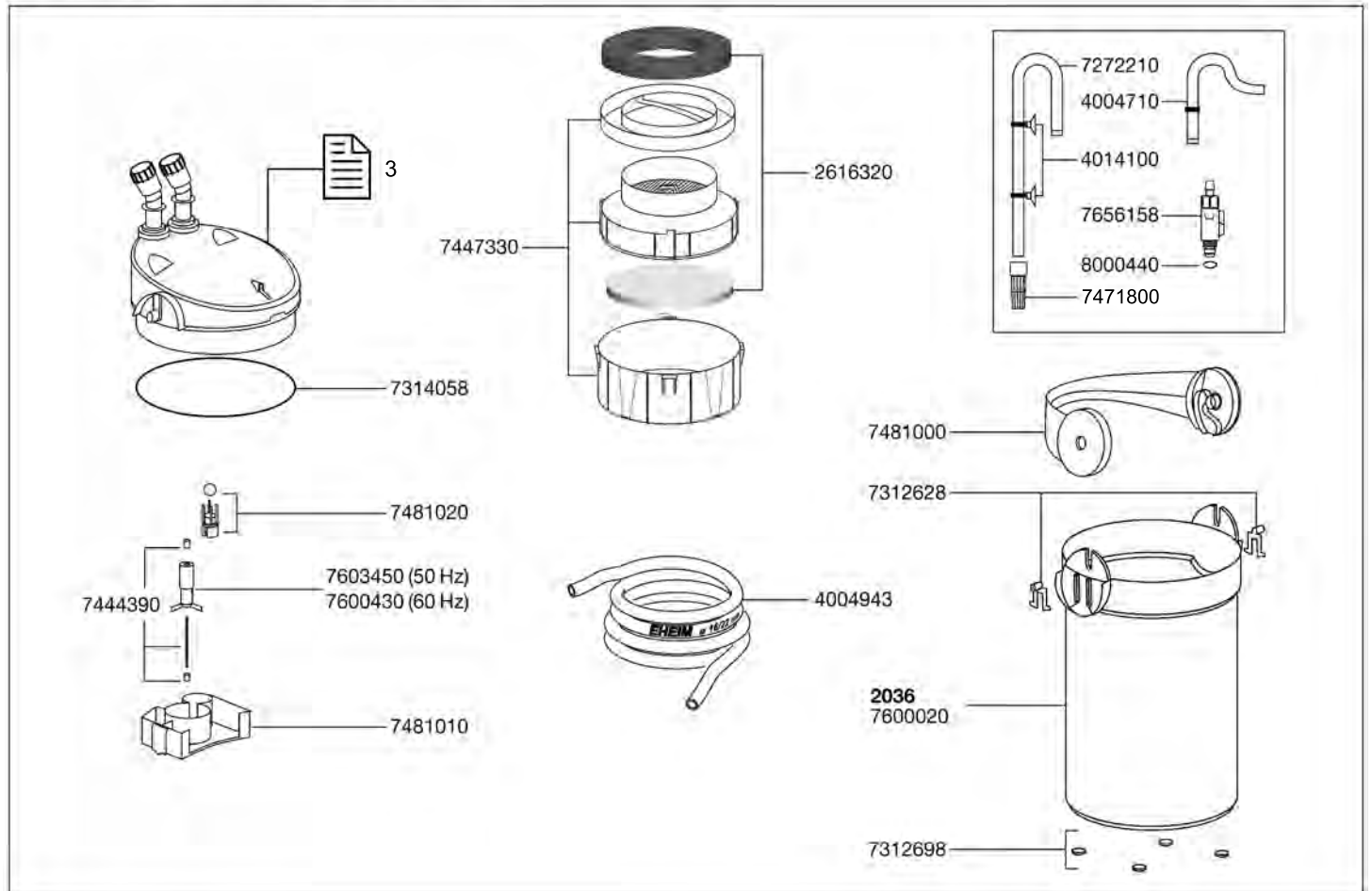


Order no.	Spare part
2616320	Set: Prefilter pad (1 x) and fine filter pads (4 pcs.)
4004943	Hose, suction and pressure side ø 12/16 mm (3 m)
4004710	Outlet pipe
4014100	Suction cup with clip (2 pcs.)
7272210	Intake pipe
7272310	Inlet strainer
7312628	Handle connector (2 pcs.)
7312698	Rubber feet (4 pcs.)
7314058	Sealing ring with special coating

Order no.	Spare part
7444390	Shaft with bushings
7447330	Prefilter with filter media container and cover
7481000	Multi-function lever
7481010	Pump chamber with bushing
7481020	Ball with ball cage
7600000	Filter canister 2032
7600010	Filter canister 2034
7600420	Impeller (60 Hz for 2032 / 2034)
7603350	Impeller (50 Hz for 2032 / 2034)
7656158	Shut-off tap
8000440	Set: Sealing ring for shut-off tap



Spare parts. Subject to change without prior notice.



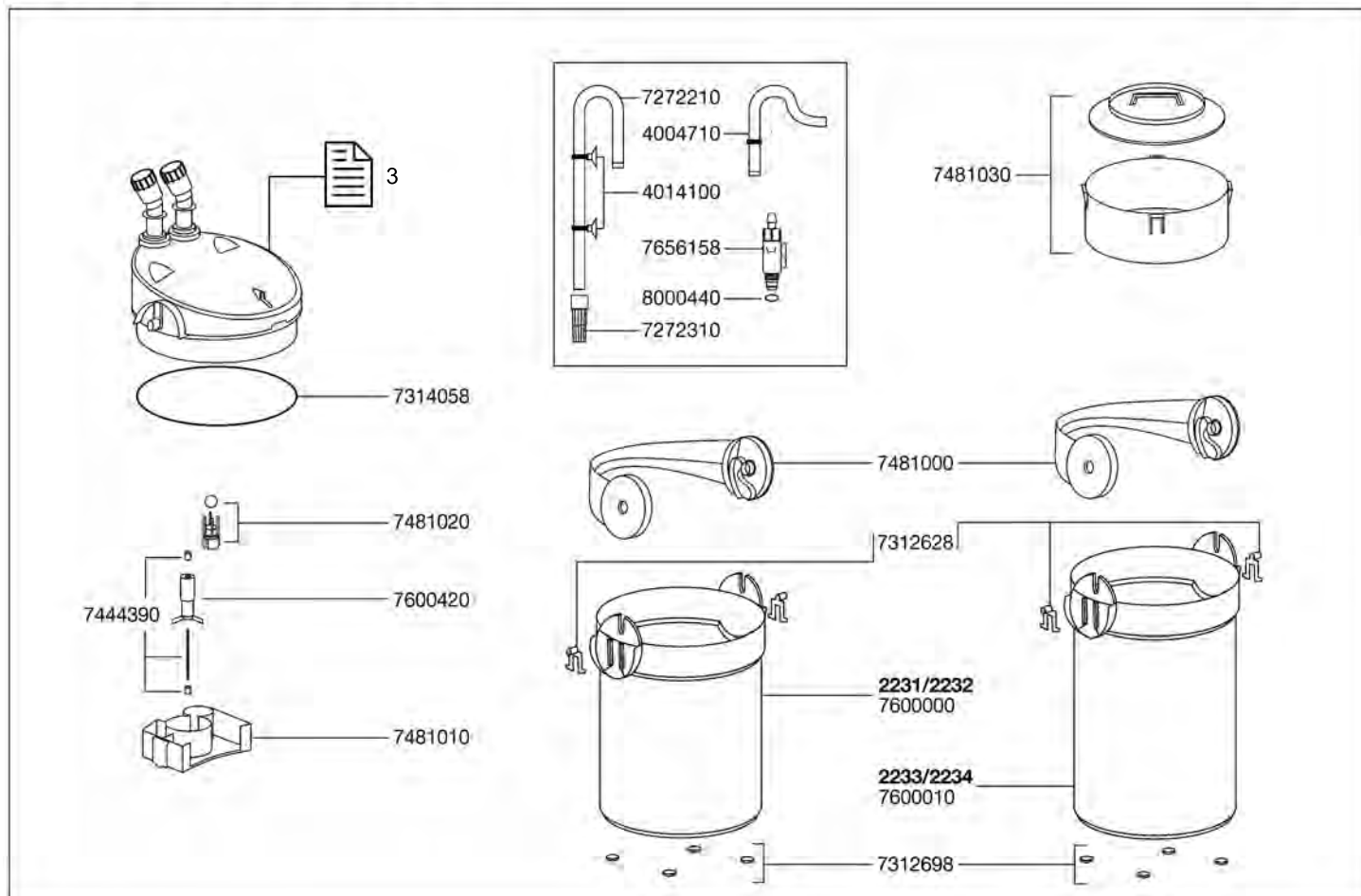
Order no.	Spare part
2616320	Set: Prefilter pad (1 x) and fine filter pads (4 pcs.)
4004943	Hose, suction and pressure side ø 12/16 mm (3 m)
4004710	Outlet pipe
4014100	Suction cup with clip (2 pcs.)
7272210	Intake pipe
7312628	Handle connector (2 pcs.)
7312698	Rubber feet (4 pcs.)
7314058	Sealing ring with special coating

Order no.	Spare part
7444390	Shaft with bushings
7447330	Prefilter with filter media container and cover
7471800	Inlet strainer
7481000	Multi-function lever
7481010	Pump chamber with bushing
7481020	Ball with ball cage
7600020	Filter canister 2036
7600430	Impeller (60 Hz for 2036)
7603450	Impeller (50 Hz for 2036)
7656158	Shut-off tap
8000440	Set: Sealing ring for shut-off tap

**1233 and 1234 Pump head**  
**2231 / 2233 External filter *ecco***  
**2232 / 2234 External filter *ecco comfort***



Spare parts. Subject to change without prior notice.



Order no.	Spare part
2616310	Coarse filter pad (3 pcs.) (not shown)
2616315	Fine filter pad (3 pcs.) (not shown)
2628310	Carbon filter pad (3 pcs.) (not shown)
4004943	Hose, suction and pressure side ø 12/16 mm (3 m)
4004710	Outlet pipe
4014100	Suction cup with clip (2 pieces)
7272210	Intake pipe ø 13 mm
7272310	Inlet strainer
7312628	Handle connector (2 pieces)
7312698	Rubber feet (4 pieces)

Order no.	Spare part
7314058	Sealing ring with special coating
7481000	Multi-function lever
7481010	Pump chamber with bushing
7481020	Ball with ball cage
7481030	Filter container with cover
7444390	Shaft with bushings
7600000	Filter canister 2231/2232
7600010	Filter canister 2233/2234
7600420	Impeller (50/60 Hz)
7656158	Shut-off tap
8000440	Set: Sealing ring for shut-off tap



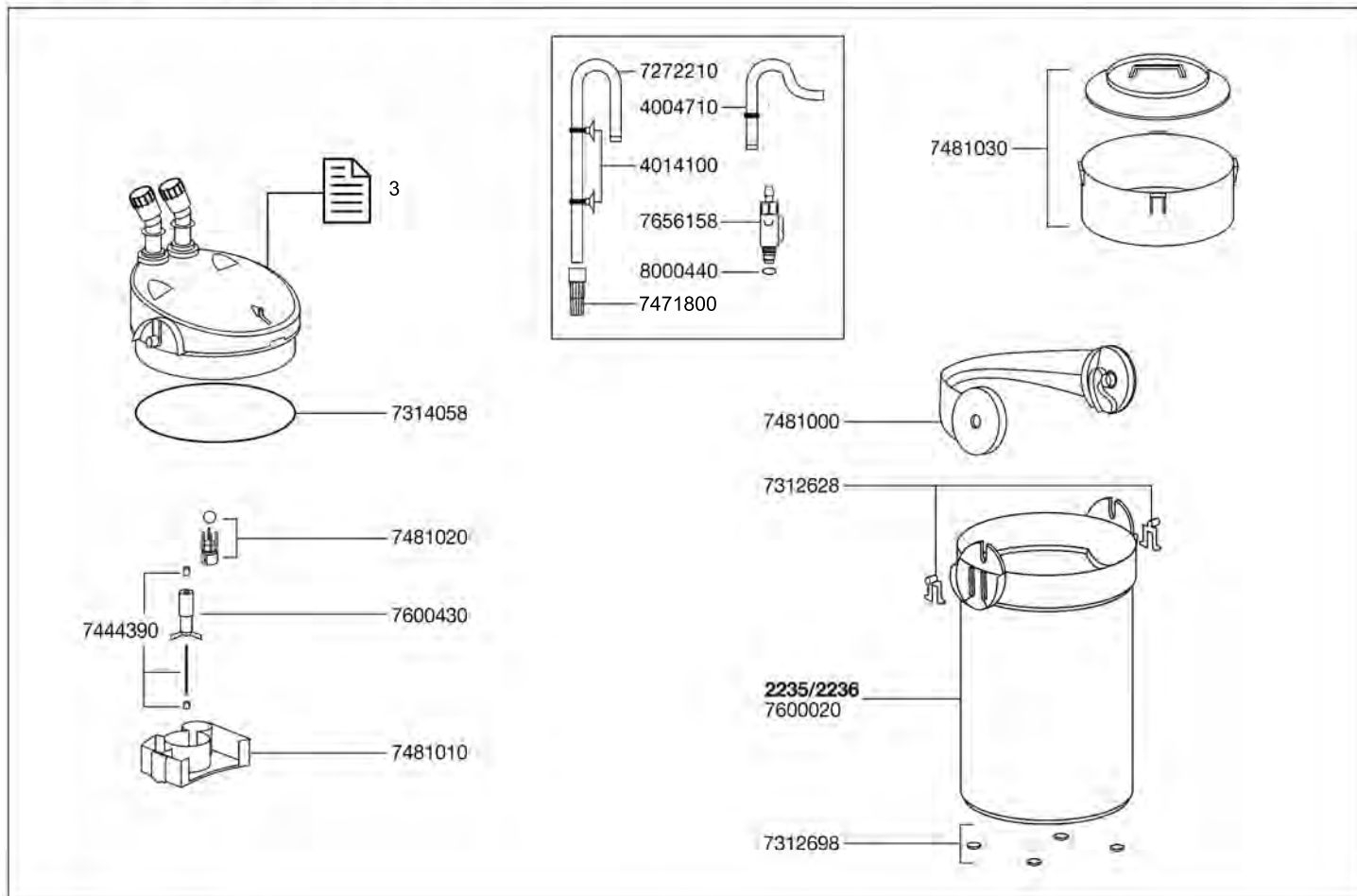
# 1235 and 1236 Pump head

## 2235 External filter **ecco**

## 2236 External filter **ecco comfort**



Spare parts. Subject to change without prior notice.



Order no.	Spare part
2616310	Coarse filter pad (3 pcs.) (not shown)
2616315	Fine filter pad (3 pcs.) (not shown)
2628310	Carbon filter pad (3 pcs.) (not shown)
4004943	Hose, suction and pressure side ø 12/16 mm (3 m)
4004710	Outlet pipe
4014100	Suction cup with clip (2 pieces)
7272210	Intake pipe ø 13 mm
7312628	Handle connector (2 pieces)
7312698	Rubber feet (4 pieces)
7314058	Sealing ring with special coating

Order no.	Spare part
7471800	Inlet strainer
7481000	Multi-function lever
7481010	Pump chamber with bushing
7481020	Ball with ball cage
7481030	Filter container with cover
7444390	Shaft with bushings
7600020	Filter canister 2235/2236
7600430	Impeller (50/60 Hz)
7656158	Shut-off tap
8000440	Set: Sealing ring for shut-off tap

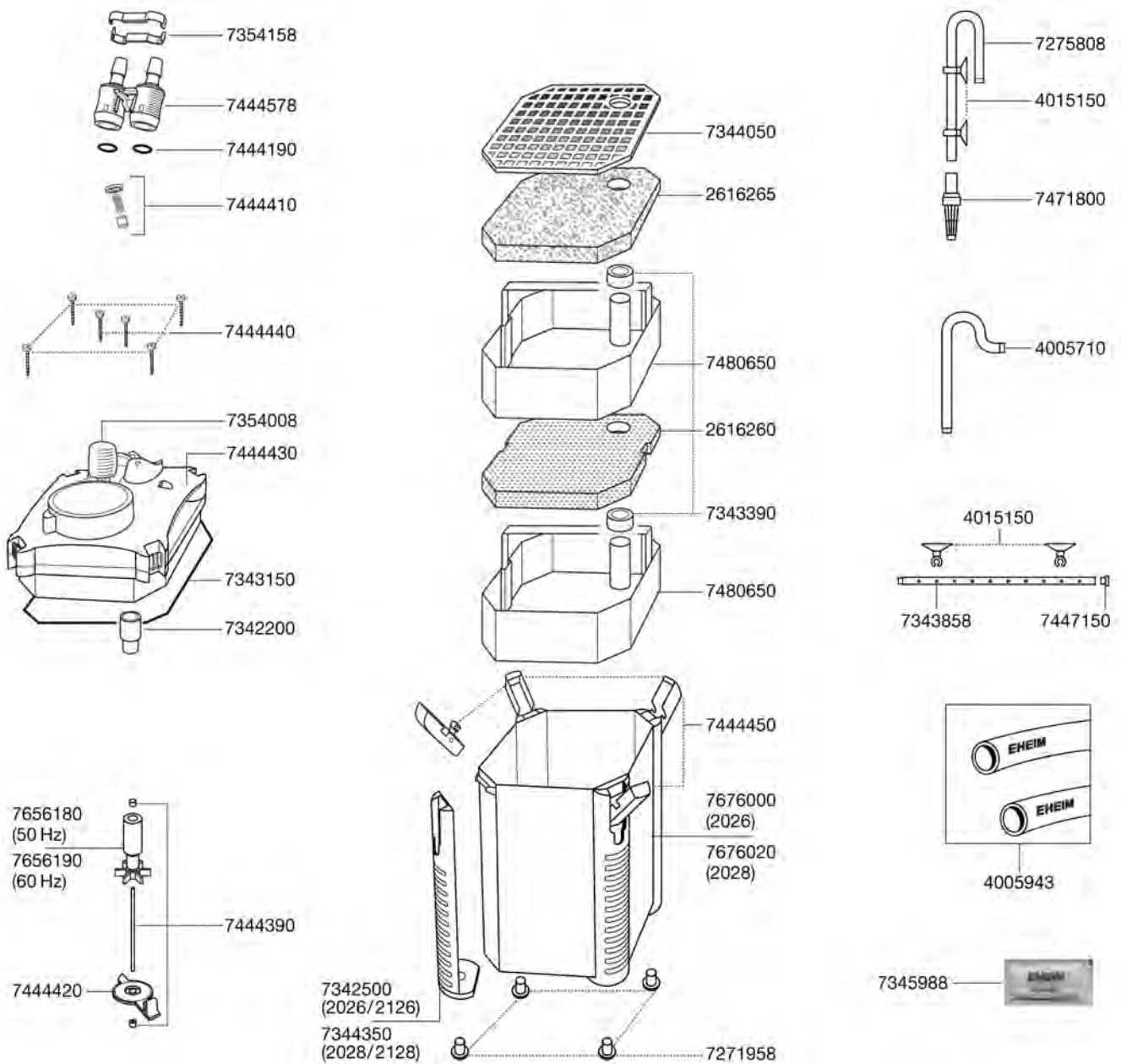
1328 Pump head  
 2026 External filter  
 2028 External filter

**EHEIM**  
*professionell II*



Spare parts. Subject to change without prior notice.

**2026 / 2028**

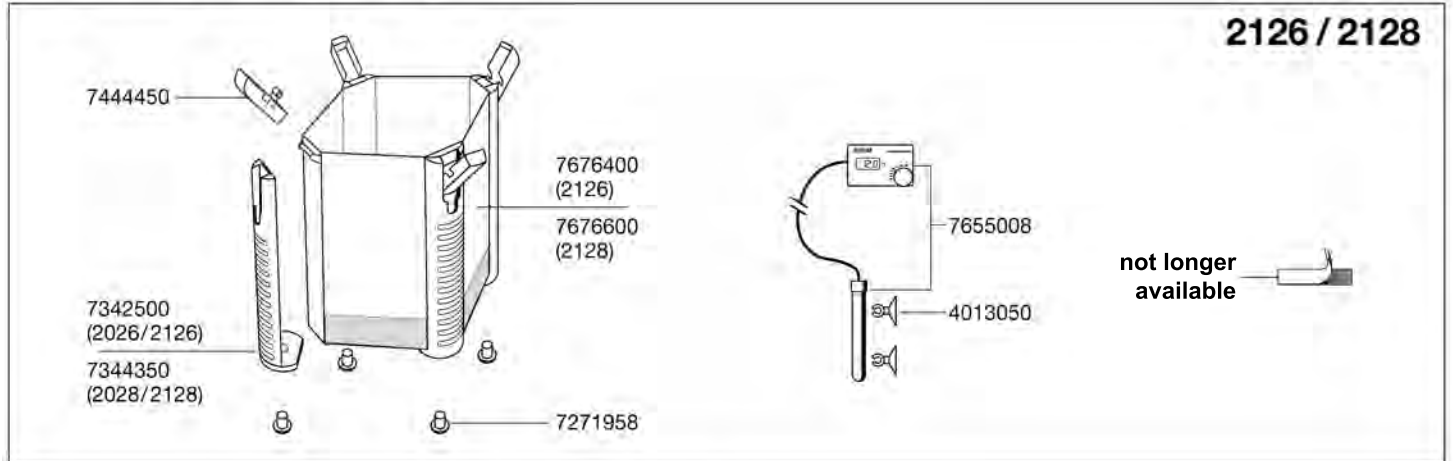




**2126 External filter**  
**2128 Thermofilter**



Spare parts. Subject to change without prior notice.



**2126 / 2128**

Order no.	Spare part	2026/2028
2616260	Set of filter pads	
2616265	Set of fine filter pads	
4005710	Outlet pipe	
4005943	Hose, suction and pressure side ø 16/22 mm (3 m)	
4015150	Suction cup with clip (2 pieces)	
7271958	Rubber feet set (5 pieces)	
7275808	Intake pipe	
7342200	Input connector	
7342500	Side protection	
7343150	Sealing gasket	
7343390	Rubber seals	
7343858	Spray bar	
7344050	Lattice screen	
7344350	Side protection	
7345988	Vaseline	
7354008	Adapter lever	
7354158	Hose clamp complete	
7444190	Set of sealing rings for double tap unit	
7444390	Shaft with bushings	
7444410	Floater, spring and holder	
7444420	Pump cover complete	
7444430	Cover complete	
7444440	Set of screws complete	
7444450	EZ clips complete	

Order no.	Spare part	2026/2028
7444490	<b>not longer available</b>	
7444578	Adapter complete	
7447150	Set of pipe plugs	
7471800	Inlet strainer	
7480650	Filter media container	
7656180	Impeller 50 Hz	
7656190	Impeller 60 Hz	
7676000	Filter canister complete with side protections and rubber feet for 2026	
7676020	Filter canister compl. with side protect. and rubber feet for 2028 (not shown)	

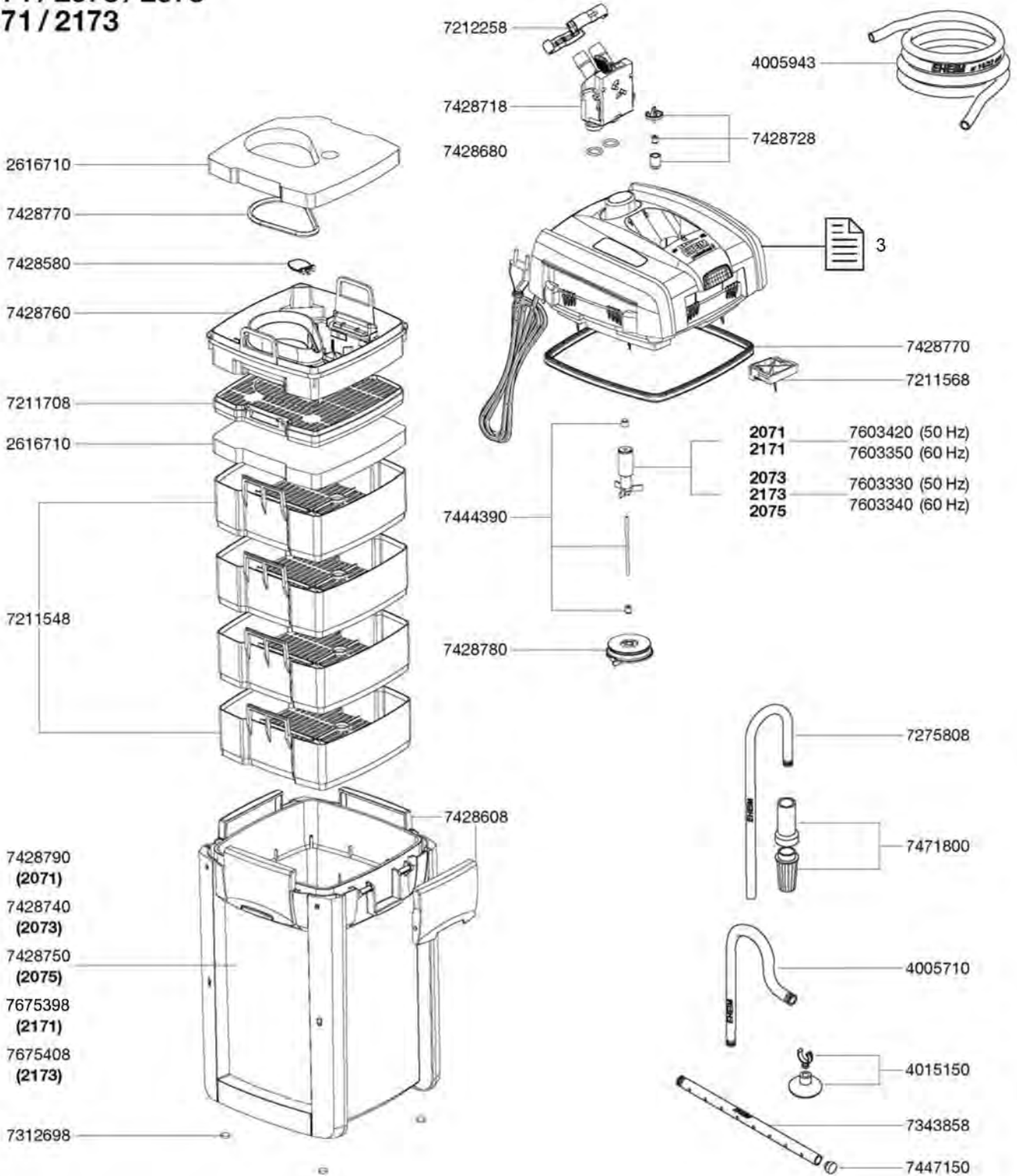
Order no.	Spare part	2126/2128
4013050	Suction cup with clips (2 pieces)	
7655008	Thermostat compl. with temperature sensor and suction cups	
7676400	Filter canister complete for 2126 <b>only for freshwater</b>	
7676600	Filter canister complete for 2128 <b>only for freshwater</b> (not shown)	

- 2071 External filter *professional 3* 250
- 2073 External filter *professional 3* 350
- 2075 External filter *professional 3* 600
- 2171 Thermofilter *professional 3* 250 T
- 2173 Thermofilter *professional 3* 350 T



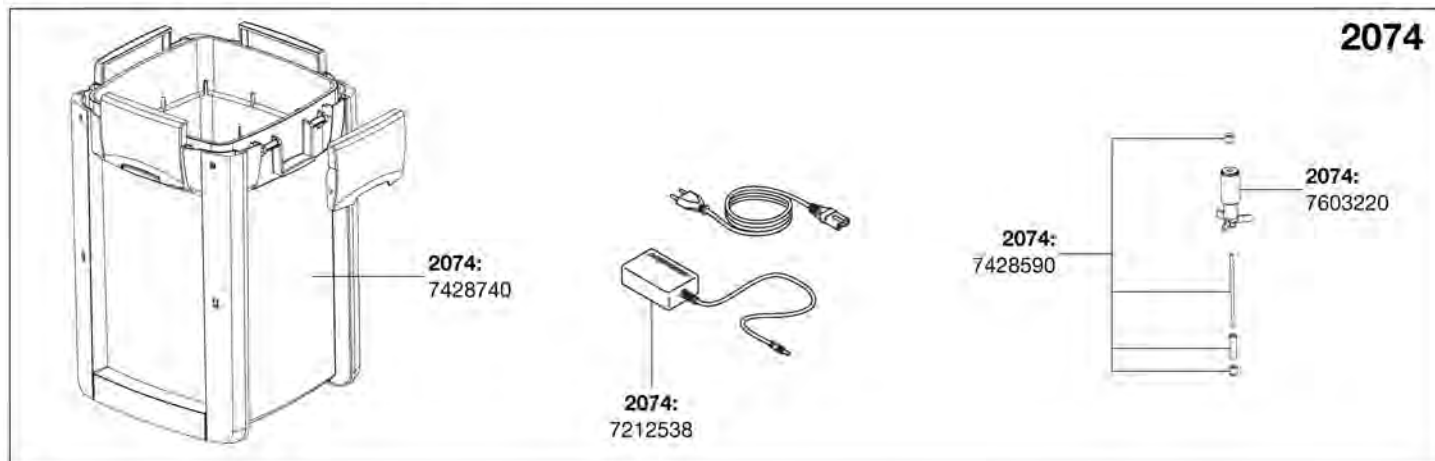
Spare parts. Subject to change without prior notice.

**2071 / 2073 / 2075  
2171 / 2173**





Spare parts. Subject to change without prior notice.



Order no.	Spare part	2071 / 2073 / 2075 / 2171 / 2173
2616710	Set prefilter pad blue (1 x) and fine filter pad white (4 x)	
4005710	Outlet pipe	
4005943	Hose, pressure and suction side ø 16/22 mm (3 m)	
4015150	Suction cup with clip (2 pieces)	
7211548	Filter media container	
7211568	Locking device	
7211708	Lattice screen	
7212258	Hose clamp	
7275808	Intake pipe	
7312698	Rubber feet (4 pieces)	
7343858	Outlet jet pipe	
7428580	Prefilter valve	
7428608	EZ clips complete	
7428680	Set sealing ring for safety adapter	
7428718	Safety adapter with locking lever	
7428728	Floater complete	
7428740	Filter canister with side protection for 2073	
7428750	Filter canister with side protection for 2075	
7428760	Prefilter	
7428770	Set sealing ring for container	

Order no.	Spare part	2071 / 2073 / 2075 / 2171 / 2173
7428780	Pump cover	
7428790	Filter canister with side protection for 2071	
7444390	Shaft with bushings for 2071 / 2073 and 2075	
7447150	Set of pipe plugs	
7471800	Inlet strainer	
7603330	Impeller 50 Hz for 2073 and 2075	
7603340	Impeller 60 Hz for 2073 and 2075	
7603420	Impeller 50 Hz for 2071	
7603350	Impeller 60 Hz for 2071	
7675398	Filter canister complete for 2171 <b>only for freshwater</b>	
7675408	Filter canister complete for 2173 <b>only for freshwater</b>	

Order no.	Spare part	2074
7212538	Transformer	
7428590	Shaft with bushings and distance sleeve	
7428740	Filter canister with side protection for 2074	
7603220	Impeller 60 Hz and 50 Hz <b>(electronic)</b>	

1278 Pump head

2076 External filter *professional 3<sup>e</sup> 450*

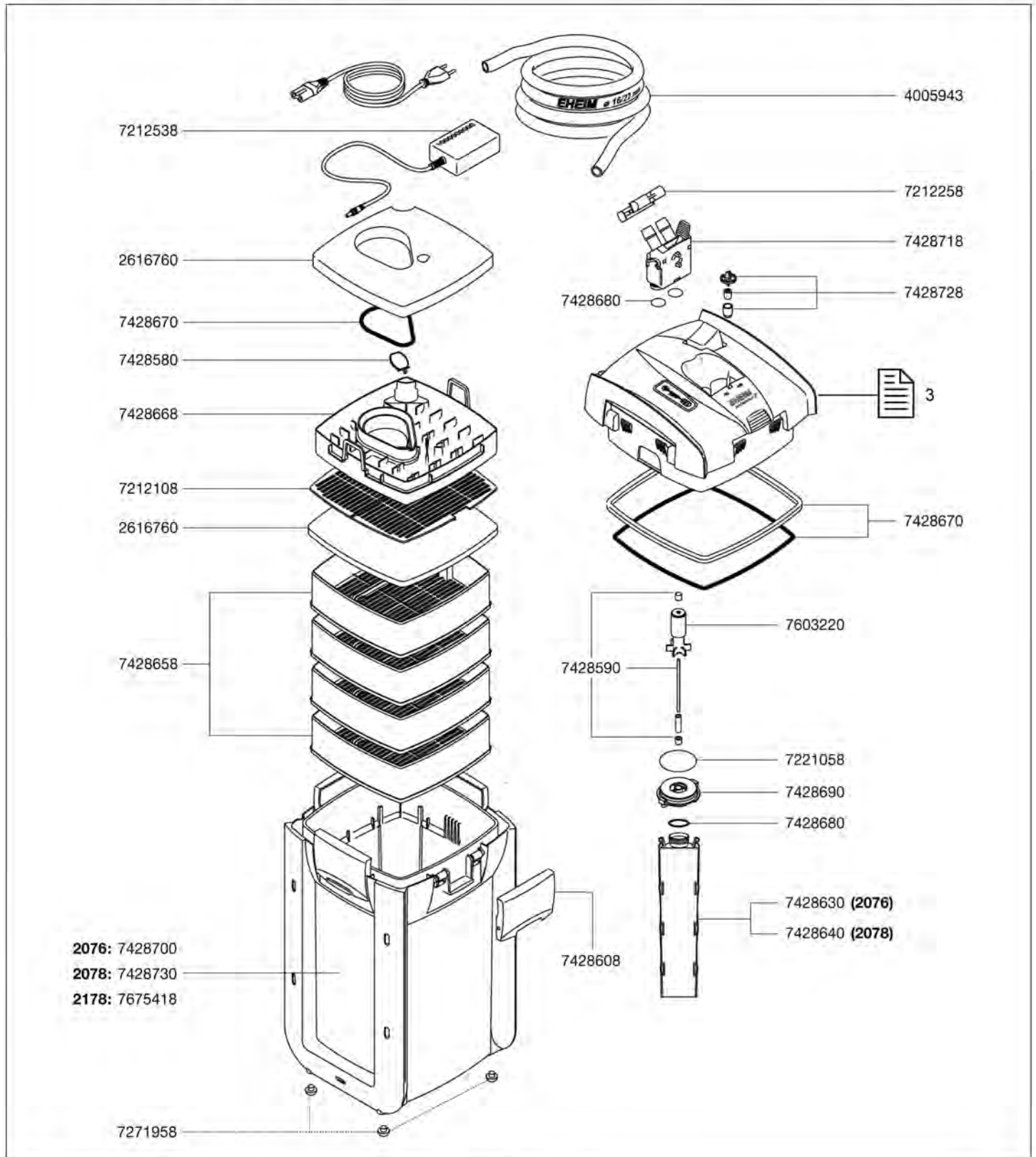
2078 External filter *professional 3<sup>e</sup> 700*

2178 Thermofilter *professional 3<sup>e</sup> 600 T*

**EHEIM**  
*professional 3<sup>e</sup>*



Spare parts. Subject to change without prior notice.



## 1278 Pump head

2076 External filter *professional 3<sup>e</sup> 450*

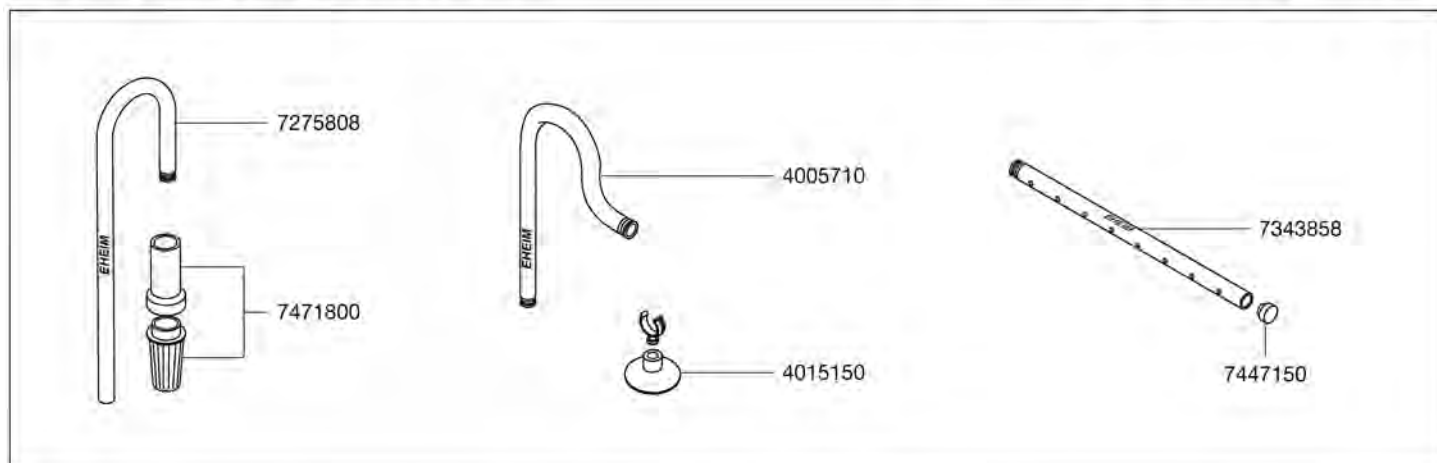
2078 External filter *professional 3<sup>e</sup> 700*

2178 Thermofilter *professional 3<sup>e</sup> 600 T*

**EHEIM**  
*professional 3<sup>e</sup>*



Spare parts. Subject to change without prior notice.



Order no.	Spare part	2076 / 2078 / 2178
2616760	Set 1 x filter pad and 4 x fine filter pads	
4005710	Outlet pipe	
4005943	Hose, pressure and suction side ø 16/22 mm (3 m)	
4015150	Suction cup with clip (2 pieces)	
7212108	Lattice screen	
7212258	Hose clamp complete	
7212538	Transformer	
7221058	Sealing ring for pump cover	
7271958	Rubber feet set (5 pieces)	
7275808	Intake pipe	
7343858	Outlet jet pipe	
7428580	Valve with holder	
7428590	Shaft with bushings and distance sleeve ( <b>electronic</b> )	
7428608	EZ clips complete	
7428630	Separation screen with sealing ring for 2076	
7428640	Separation screen with sealing ring for 2078	

Order no.	Spare part	2076 / 2078 / 2178
7428658	Filter media container	
7428668	Prefilter complete with valve and sealing ring	
7428670	Set of sealing rings (for pump and canister)	
7428680	Set of sealing rings (for adapter and separation screen)	
7428690	Pump cover complete with sealing ring and bushings	
7428700	Filter canister with side protection for 2076	
7428730	Filter canister with side protection for 2078	
7428718	Adapter complete	
7428728	Floater complete	
7447150	Set of pipe plugs	
7471800	Inlet strainer	
7603220	Impeller for 50 Hz and 60 Hz ( <b>electronic</b> )	
7675418	Filter canister complete for 2178 <b>only for freshwater</b>	



1280 Pump head

1780 Pump head with heater

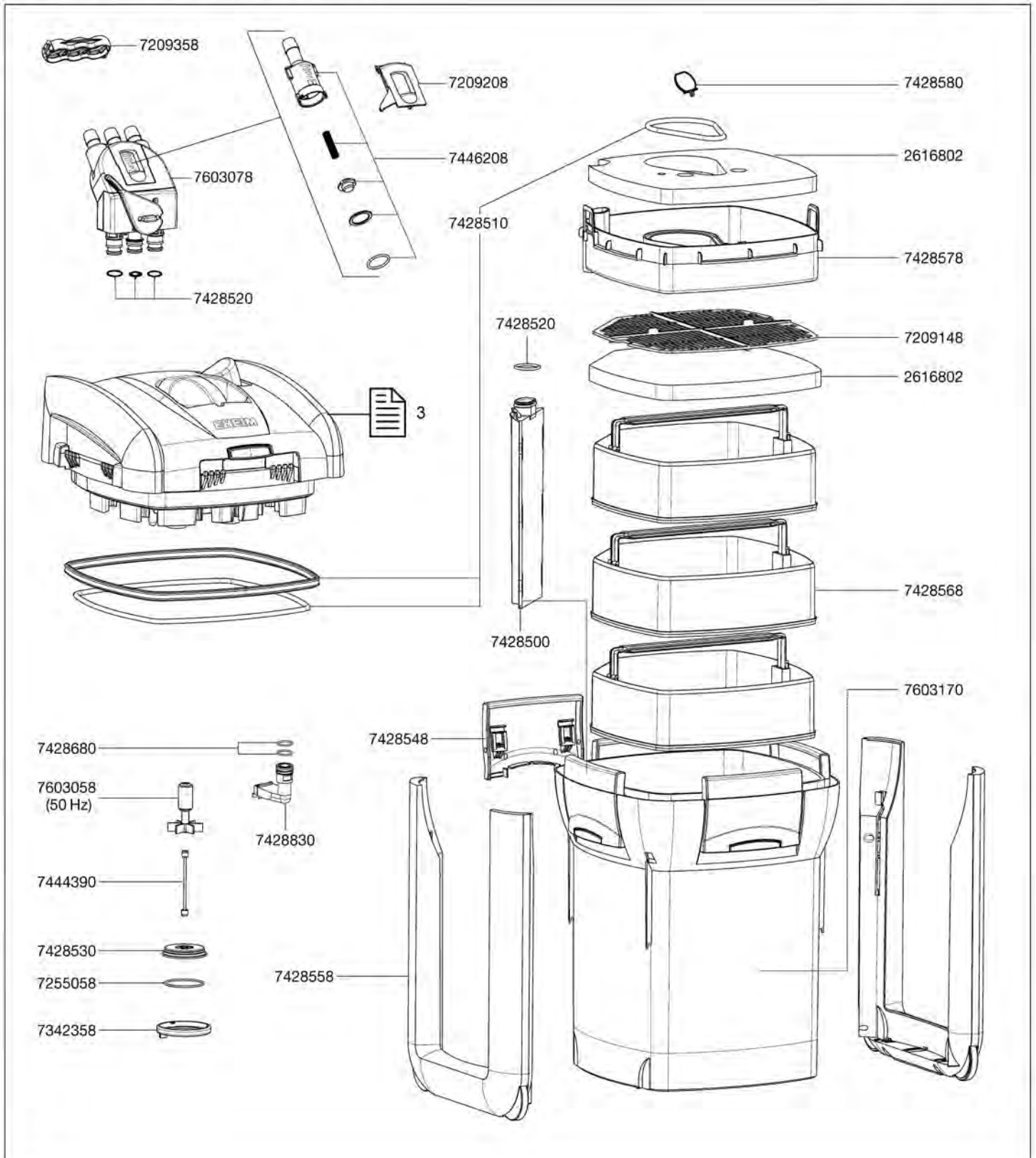
2080 External filter *professional 3 1200 XL*

2180 Thermofilter *professional 3 1200 XLT*

**EHEIM**  
*professional 3*



Spare parts. Subject to change without prior notice.



1280 Pump head

1780 Pump head with heater

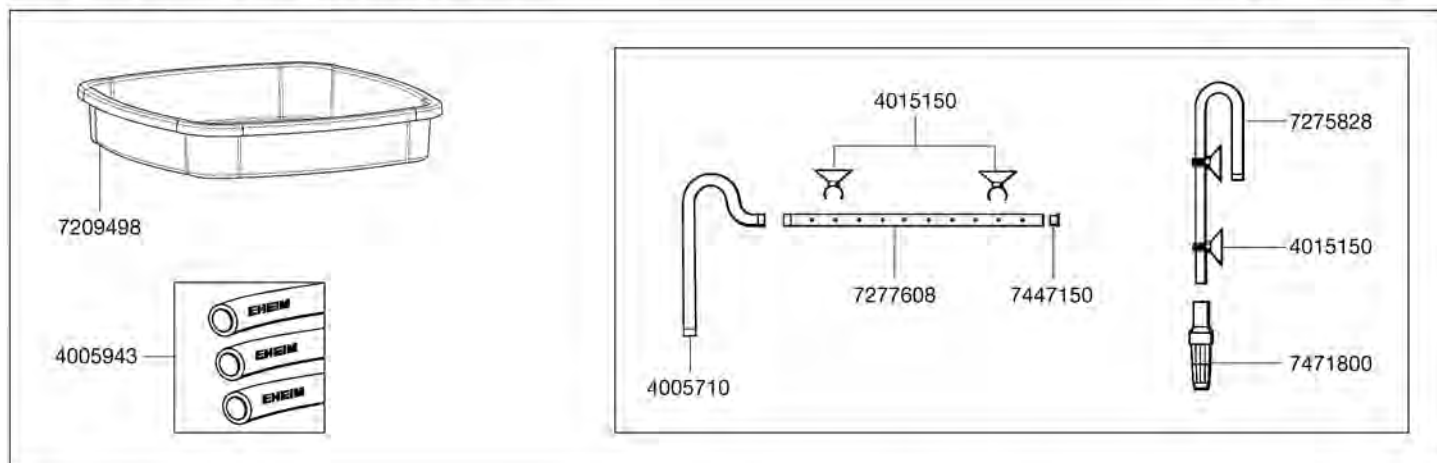
2080 External filter *professional 3* 1200 XL

2180 Thermofilter *professional 3* 1200 XLT

**EHEIM**  
*professional 3*



Spare parts. Subject to change without prior notice.



Order no.	Spare part	2080 / 2180
2616802	Set (1 filter pad, 4 fine filter pads)	
2616805	Set of fine filter pads (3 pieces)	
4005710	Outlet pipe	
4005943	Hose $\varnothing$ 16/22 mm (3 m) 2 x suction side, 1 x pressure side	
4015150	Suction cup with clips (2 pieces)	
7209148	Lattice screen	
7209208	Indicator cover	
7209358	Hose clamp complete	
7209498	Prefilter container	
7255058	Sealing ring	
7275828	Intake pipe	
7277608	Outlet jet pipe	
7342358	Locking device for pump cover	

Order no.	Spare part	2080 / 2180
7428500	Separation screen with sealing ring	
7428510	Set of sealing rings for canister	
7428520	Set of sealing rings for adapter and screen	
7428530	Pump cover complete with sealing ring and bushing	
7428548	EZ clips complete	
7428558	Side protection complete	
7428568	Filter media container	
7428578	Prefilter complete with valve and sealing ring	
7428580	Clack valve with holder	
7428680	Set of sealing rings	
7428830	Output connector complete	
7444390	Shaft with bushings	
7446208	Indicator complete with indicator housing, spring, floater and ring	
7447150	Set of pipe plugs	
7471800	Inlet strainer	
7603058	Impeller (50 Hz)	
7603068	Impeller (60 Hz)	
7603078	Adapter complete	
7603170	Filter canister with 4 EZ clips	

# 1224 Pump head

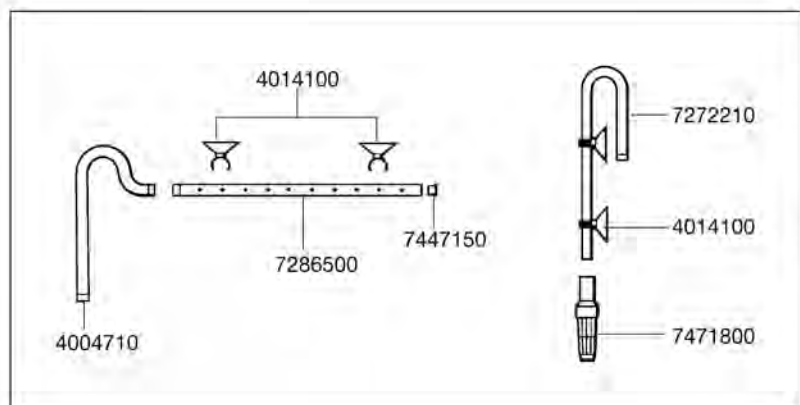
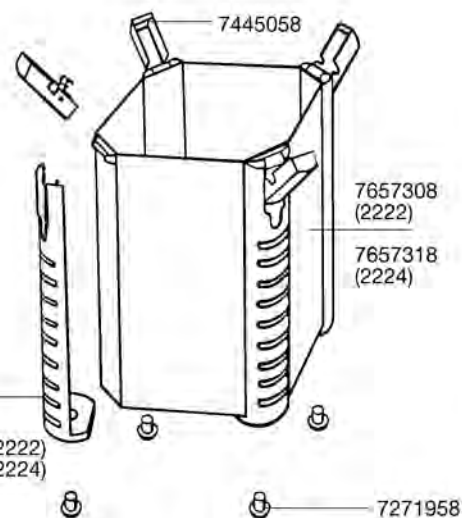
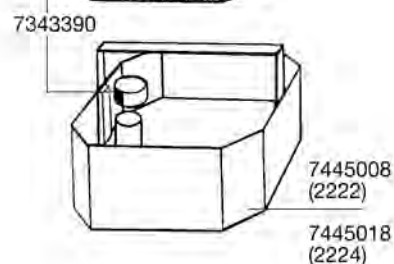
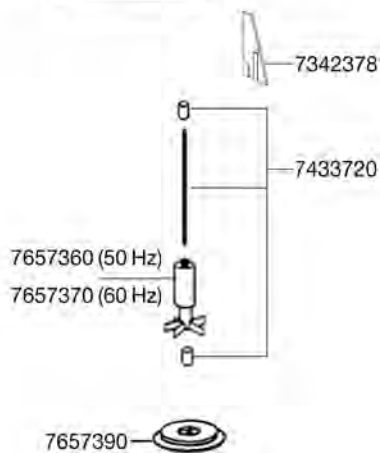
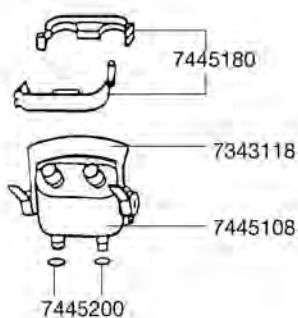
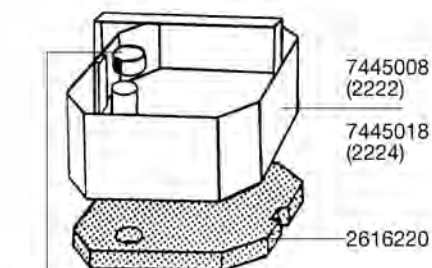
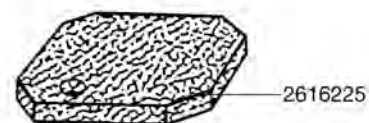
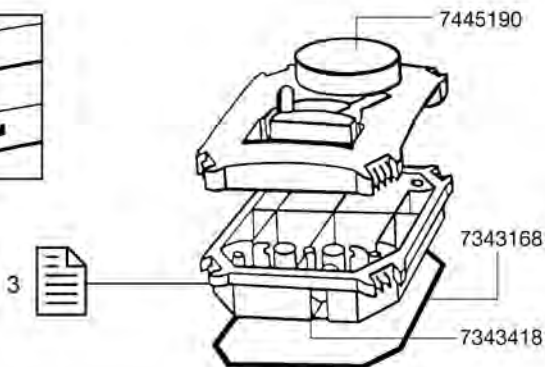
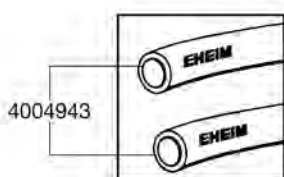
## 2222 External filter *professionel* 150

## 2224 External filter *professionel* 250



Spare parts. Subject to change without prior notice.

### 2222 / 2224





**2222 External filter** *professionel* **150**

**2224 External filter** *professionel* **250**

**2322 Thermofilter**

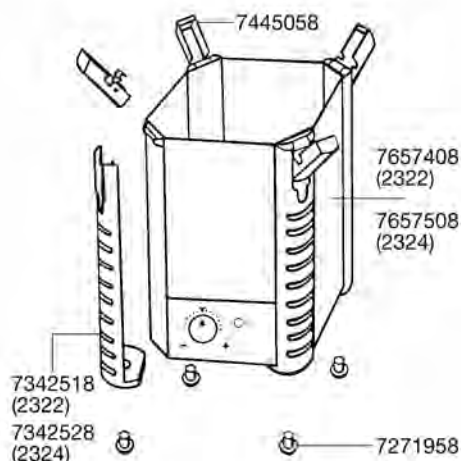
**2324 Thermofilter**

**EHEIM**  
*professionel*



Spare parts. Subject to change without prior notice.

**2322 / 2324**



Order no.	Spare part	2222 / 2224
2616220	Set of filter pads	
2616225	Set of fine filter pads	
4004710	Outlet pipe	
4004943	Hose, pressure and suction side ø 12/16 mm (3 m)	
4014100	Suction cup with clip (2 pieces)	
7271958	Rubber feet set (5 pieces)	
7272210	Intake pipe	
7286500	Outlet jet pipe	
7342378	Insert	
7342518	Side protection 2222 / 2322	
7342528	Side protection 2224 / 2324	
7343118	Locking clamp for adapter	
7343168	Sealing gasket	
7343390	Rubber seals (3 pieces)	
7343418	Cleaning plug for pump head	

Order no.	Spare part	2222 / 2224
7433720	Shaft with bushings	
7445008	Filter media container for 2222 / 2322	
7445018	Filter media container for 2224 / 2324	
7445058	EZ clip	
7445108	Adapter complete	
7445180	Hose clamp	
7445190	Pump cover	
7445200	Set of sealing rings for adapter	
7447150	Set of pipe plugs	
7471800	Inlet strainer	
7657308	Filter canister complete with side protections and rubber feet for 2222 (not shown)	
7657318	Filter canister complete with side protections and rubber feet for 2224 (not shown)	
7657360	Impeller 50 Hz	
7657370	Impeller 60 Hz	
7657390	Pump cover complete	

Order no.	Spare part	2322 / 2324
7657408	Filter canister complete with side protections, rubber feet and heater (230 V / 50 Hz Euro-plug) for 2322 <b>only for freshwater</b>	
7657508	Filter canister complete with side protections, rubber feet and heater (230 V / 50 Hz Euro-plug) for 2324 <b>only for freshwater</b>	

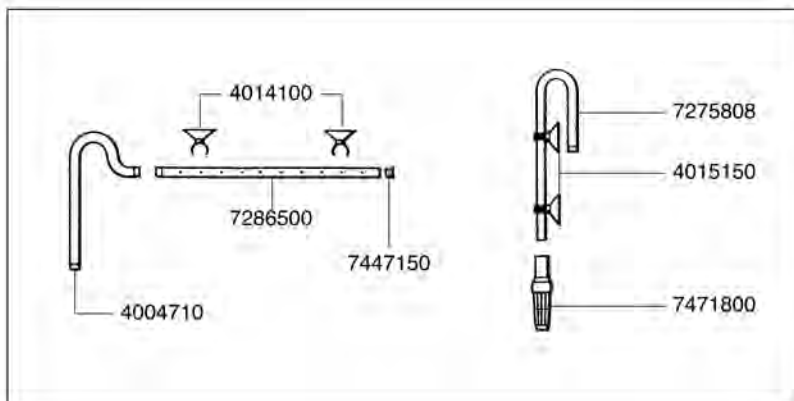
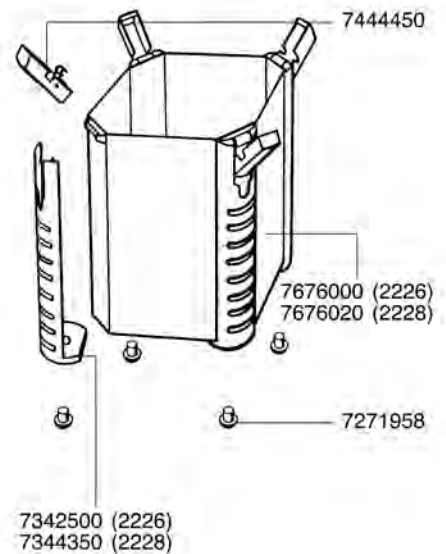
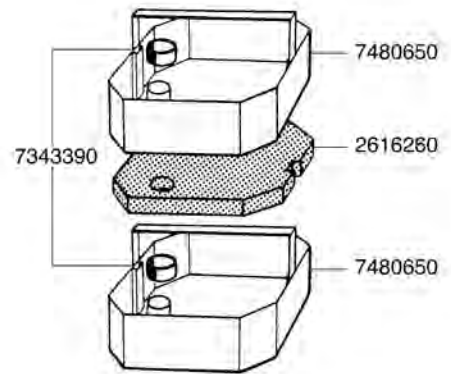
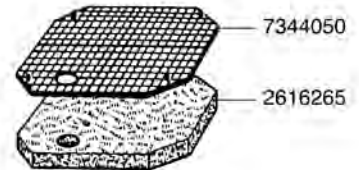
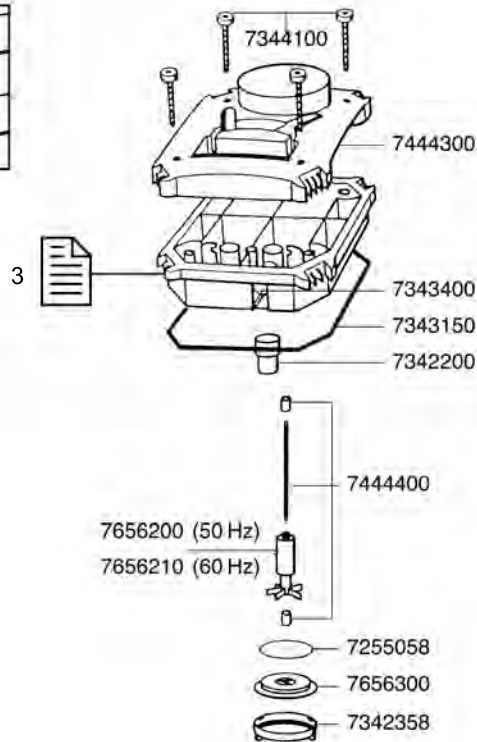
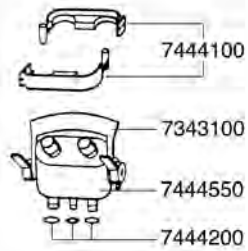
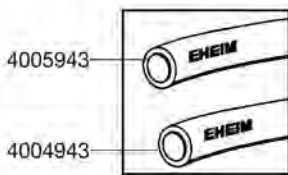
1228 Pump head  
 2226 External filter  
 2228 External filter

**EHEIM**  
*professional*



Spare parts. Subject to change without prior notice.

**2226 / 2228**



**2226 External filter**

**2228 External filter**

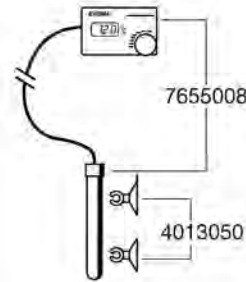
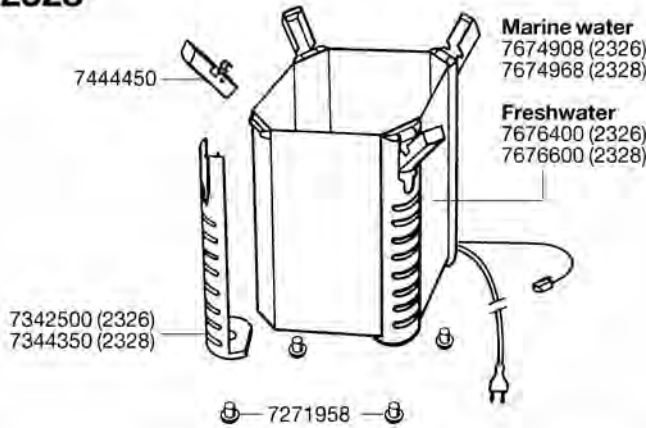
**2326 Thermofilter**

**2328 Thermofilter**



Spare parts. Subject to change without prior notice.

**2326 / 2328**



not longer available



Order no.	Spare part	2226 / 2228
2616260	Set of filter pads	
2616265	Set of fine filter pads (3 pieces)	
4004710	Outlet pipe	
4004943	Hose, pressure side ø 12/16 mm (3 m)	
4005943	Hose, suction side ø 16/22 mm (3 m)	
4014100	Suction cup with clip (2 pieces)	
4015150	Suction cup with clip (2 pieces)	
7255058	Sealing ring	
7271958	Rubber feet set (5 pieces)	
7275808	Intake pipe	
7286500	Outlet jet pipe	
7342200	Input connector	
7342358	Locking device for pump cover	
7342500	Side protection (2226/2326)	
7343100	Locking clamp for adapter	
7343150	Sealing gasket	
7343390	Rubber seals (3 pieces)	
7343400	Cleaning plug for pump head	
7344050	Lattice screen	
7344100	Screws (4 pieces)	
7344350	Side protection (2228/2328)	
7444100	Hose clamp	
7444200	Set of sealing rings for adapter	
7444300	Pump cover	
7444400	Shaft with bushings	

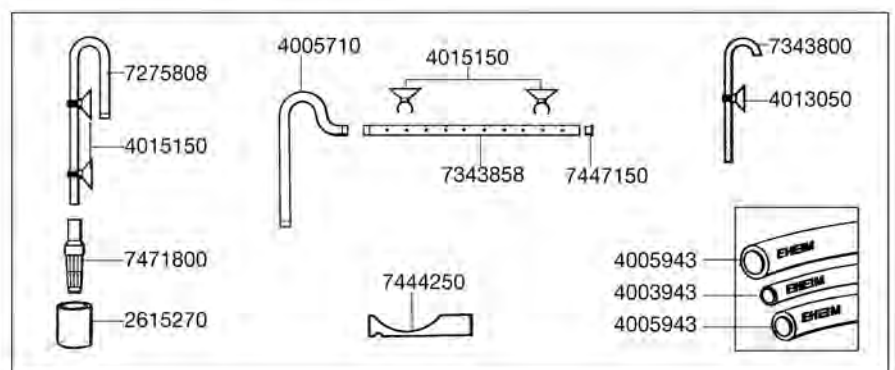
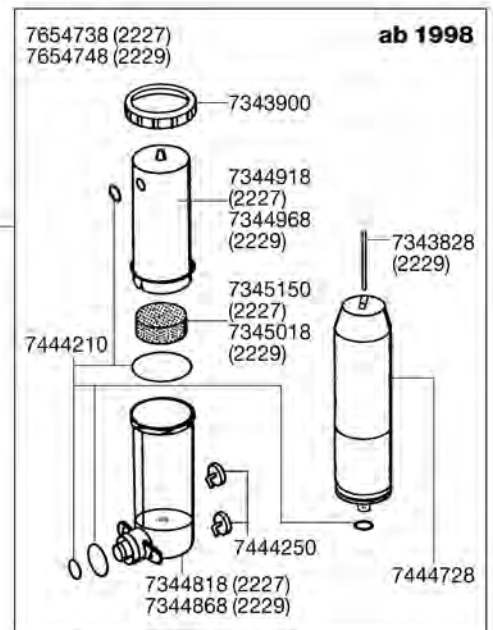
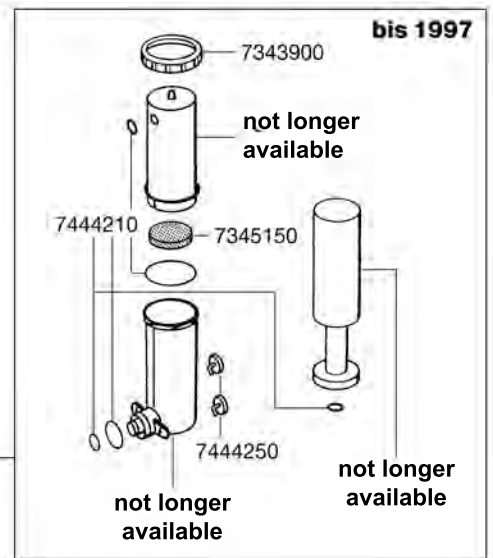
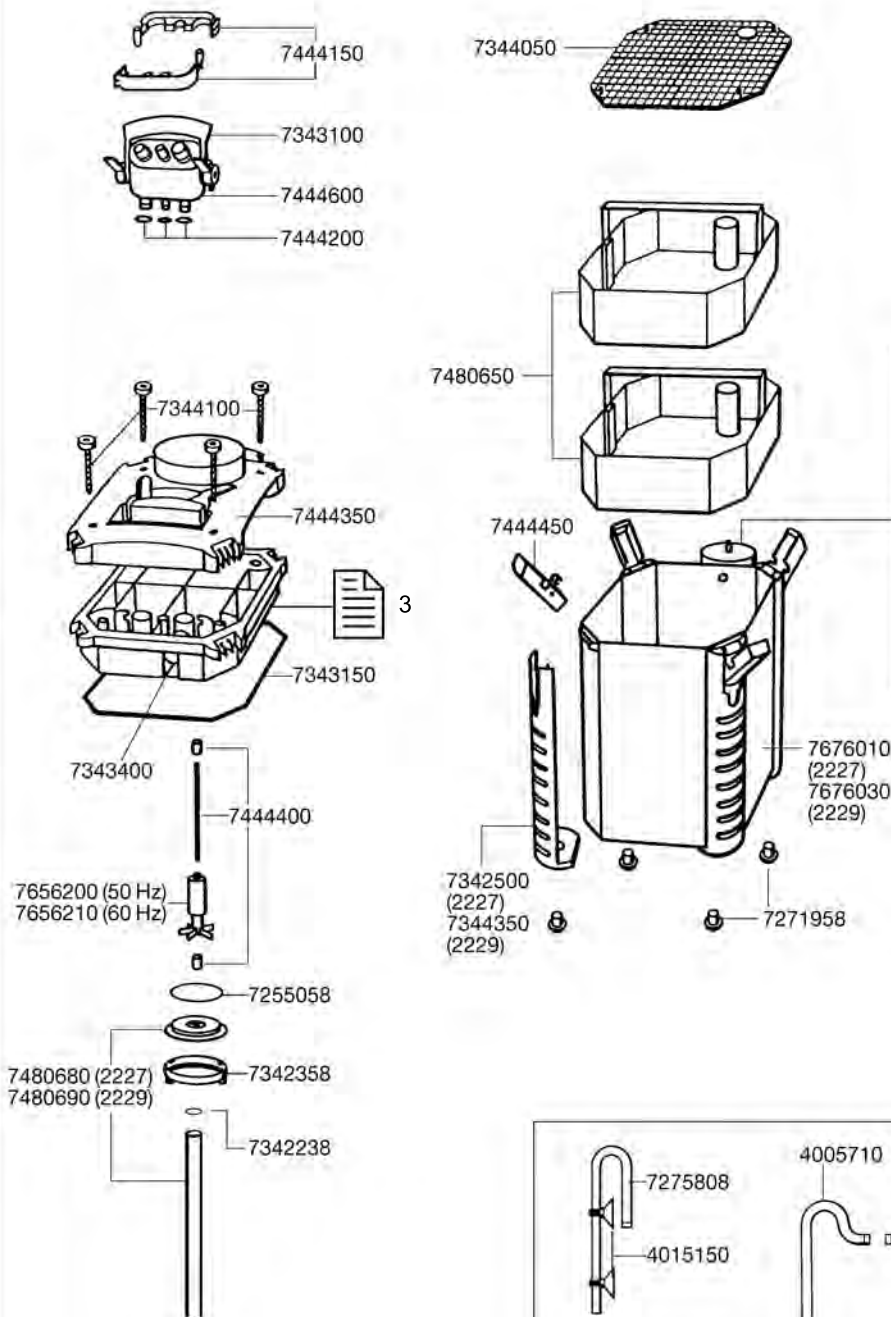
Order no.	Spare part	2226 / 2228
7444450	EZ clips	
7444550	Adapter complete	
7447150	Set of pipe plugs	
7471800	Inlet strainer	
7480650	Filter media container	
7656200	Impeller 50 Hz	
7656210	Impeller 60 Hz	
7656300	Pump cover complete with o-ring and bushings	
7676000	Filter canister complete with side protections and rubber feet for 2226	
7676020	Filter canister complete with side protection and rubber feet for 2228 (not shown)	
Order no.	Spare part	2326 / 2328
4013050	Suction cup with clip (2 pieces)	
7444490	<b>not longer available</b>	
7655008	Thermostat complete with temperature sensor and suction cups	
7676400	Filter canister with heater for 2326, <b>only for freshwater</b>	
7676600	Filter canister with heater for 2328 <b>only for freshwater</b> (not shown)	

**1229 Pump head**  
**2227 Wet/dry external filter**  
**2229 Wet/dry external filter**



Spare parts. Subject to change without prior notice.

**2227 / 2229**



## 2227 Wet/dry external filter

## 2229 Wet/dry external filter

## 2327 Wet/dry thermofilter

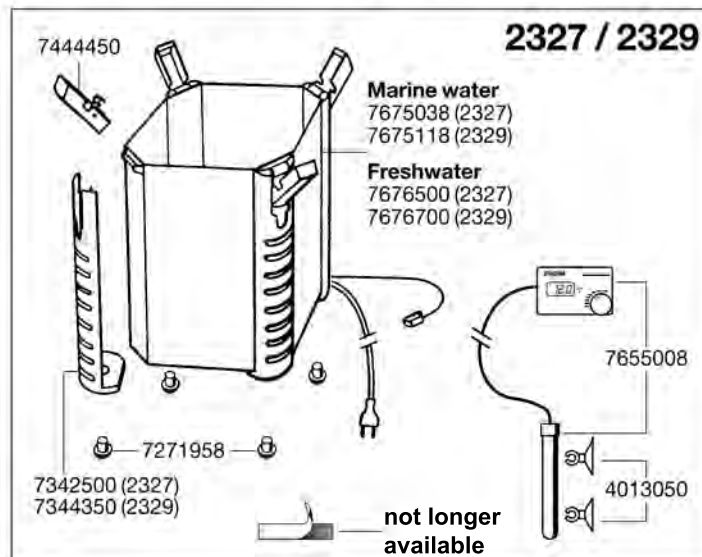
## 2329 Wet/dry thermofilter

**EHEIM**  
*professional*



Spare parts. Subject to change without prior notice.

Order no.	Spare part	2227 / 2229
2615270	Prefilter coarse foam	
4003943	Air hose ø 9/12 mm (3 m)	
4005710	Outlet pipe	
4005940	Hoses, suction and pressure side ø 16/22 mm (3 m)	
4013050	Suction cup with clip (2 pieces)	
4015150	Suction cup with clip (2 pieces)	
7255058	Sealing ring	
7271958	Rubber feet (5 pieces)	
7275808	Intake pipe	
7342238	Sealing ring (2 pieces)	
7342358	Locking device for pump cover	
7342500	Side protections (2227/2327)	
7343100	Locking clamp for adapter	
7343150	Sealing gasket	
7343400	Cleaning plug for pump head	
7343800	Intake for breather tube	
7343858	Outlet jet pipe	
7343900	Locking ring	
7344050	Lattice screen	
7344100	Screws (4 pieces)	
7344350	Side protections (2229/2329)	
7344800	replaced by 7654738	
7344850	replaced by 7654748	
7344900	replaced by 7654738	
7344950	replaced by 7654748	
7345018	Damping pad for 2229 / 2329	
7345150	Damping pad for 2227 / 2327	
7444150	Hose clamp	
7444200	Set of sealing rings for adapter	
7444210	Set of sealing rings for wet/dry control	
7444250	Complete locking device set	
7444350	Pump cover	
7444400	Shaft with bushings	
7444450	EZ clip	
7444600	Double tap unit	
7444728	Floating control valve	
7447150	Set of pipe plugs	
7471800	Inlet strainer	
7480650	Filter media container	
7480680	Output pipe with pump cover (2227 / 2327)	



Order no.	Spare part	2227 / 2229
7480690	Output pipe with pump cover (2229 / 2329)	
7656200	Impeller 50 Hz	
7656210	Impeller 60 Hz	
7656400	replaced by 7654748	
7656410	replaced by 7654738	
7676010	Filter canister complete with side protections and rubber feet for 2227	
7676030	Filter canister complete with side protection and rubber feet for 2229 (not shown)	

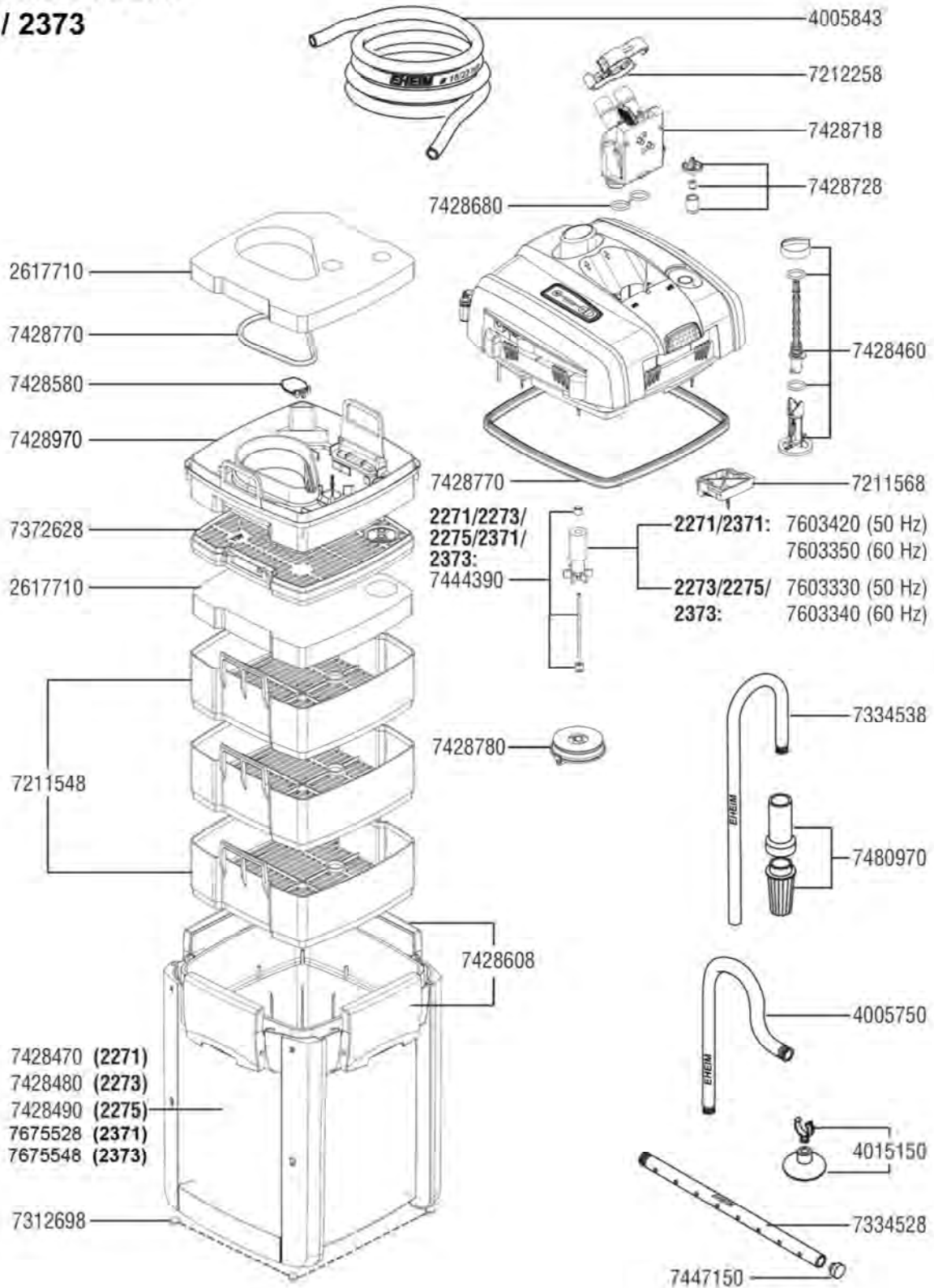
Order no.	Spare part	2327 / 2329
4013050	Suction cup with clip (2 pieces)	
7444490	<b>not longer available</b>	
7654738	Floater compartment complete (2227)	
7654748	Floater compartment complete (2229)	
7655008	Thermostat with temperature sensor and suction cups	
7676500	Filter canister with heater for 2327, <b>only for freshwater</b>	
7676700	Filter canister with heater for 2329, <b>only for freshwater</b> (not shown)	



- 2271 External filter professionnel 4+ 250
- 2273 External filter professionnel 4+ 350
- 2275 External filter professionnel 4+ 600
- 2371 Thermo filter professionnel 4+ 250 T
- 2373 Thermo filter professionnel 4+ 350 T

Spare parts. Subject to change without prior notice.

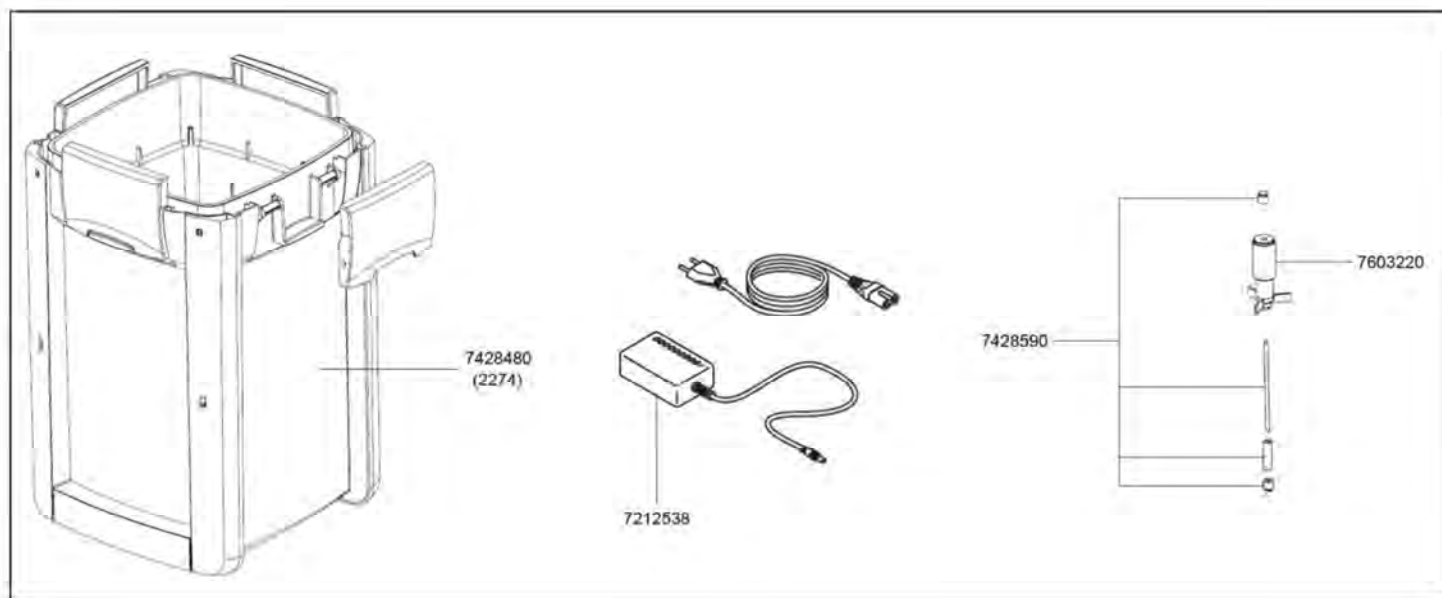
**2271 / 2273 / 2275  
2371 / 2373**



## 2274 External filter professional 4<sup>e</sup> + 350

**EHEIM**  
professionel4<sup>e</sup>+

Spare parts. Subject to change without prior notice.



Order no.	Spare part	2271 / 73 / 74 / 75, 2371 / 73
-----------	------------	--------------------------------

2617710	Set prefilter pad blue (1 x) and fine filter pad white (4 x)	
---------	--	--

4005750	Outlet pipe	
---------	-------------	--

4005843	Hose, pressure and suction side ø 16/22 mm (3 m)	
---------	---	--

4015150	Suction cup with clip (2 pieces)	
---------	----------------------------------	--

7211548	Filter media container	
---------	------------------------	--

7211568	Locking device	
---------	----------------	--

7212258	Hose clamp	
---------	------------	--

7312698	Rubber feet (4 pieces)	
---------	------------------------	--

7334528	Outlet jet pipe	
---------	-----------------	--

7334538	Intake pipe	
---------	-------------	--

7372628	Lattice screen	
---------	----------------	--

7428460	Xtender knob with rotary control (incl. 2x O-ring)	
---------	--	--

7428580	Prefilter valve	
---------	-----------------	--

7428608	EZ clips complete	
---------	-------------------	--

7428680	Set sealing ring for safety adapter	
---------	-------------------------------------	--

7428718	Safety adapter with locking lever	
---------	-----------------------------------	--

7428728	Floater complete	
---------	------------------	--

7428470	Filter canister with side protection for 2271	
---------	---	--

7428480	Filter canister with side protection for 2273	
---------	---	--

7428490	Filter canister with side protection for 2275	
---------	---	--

Order no.	Spare part	2271 / 73 / 74 / 75, 2371 / 73
-----------	------------	--------------------------------

7428970	Prefilter	
---------	-----------	--

7428770	Set sealing ring for container	
---------	--------------------------------	--

7428780	Pump cover	
---------	------------	--

7444390	Shaft with bushings for 2271, 2273 and 2275	
---------	---	--

7447150	Set of pipe plugs	
---------	-------------------	--

7480970	Inlet strainer	
---------	----------------	--

7603330	Impeller 50 Hz for 2273, 2275 and 2373	
---------	--	--

7603340	Impeller 60 Hz for 2273, 2275 and 2373	
---------	--	--

7603420	Impeller 50 Hz for 2271 and 2371	
---------	----------------------------------	--

7603350	Impeller 60 Hz for 2271 and 2371	
---------	----------------------------------	--

7675528	Filter canister complete for 2371 only for freshwater	
---------	--	--

7675548	Filter canister complete for 2273 only for freshwater	
---------	--	--

Order no.	Spare part	only 2274
-----------	------------	-----------

7212538	Transformer	
---------	-------------	--

7428590	Shaft with bushings and distance sleeve	
---------	---	--

7428480	Filter canister with side protection for 2274	
---------	---	--

7603220	Impeller 60 Hz and 50 Hz (electronic)	
---------	---------------------------------------	--



# 1224 Pump head

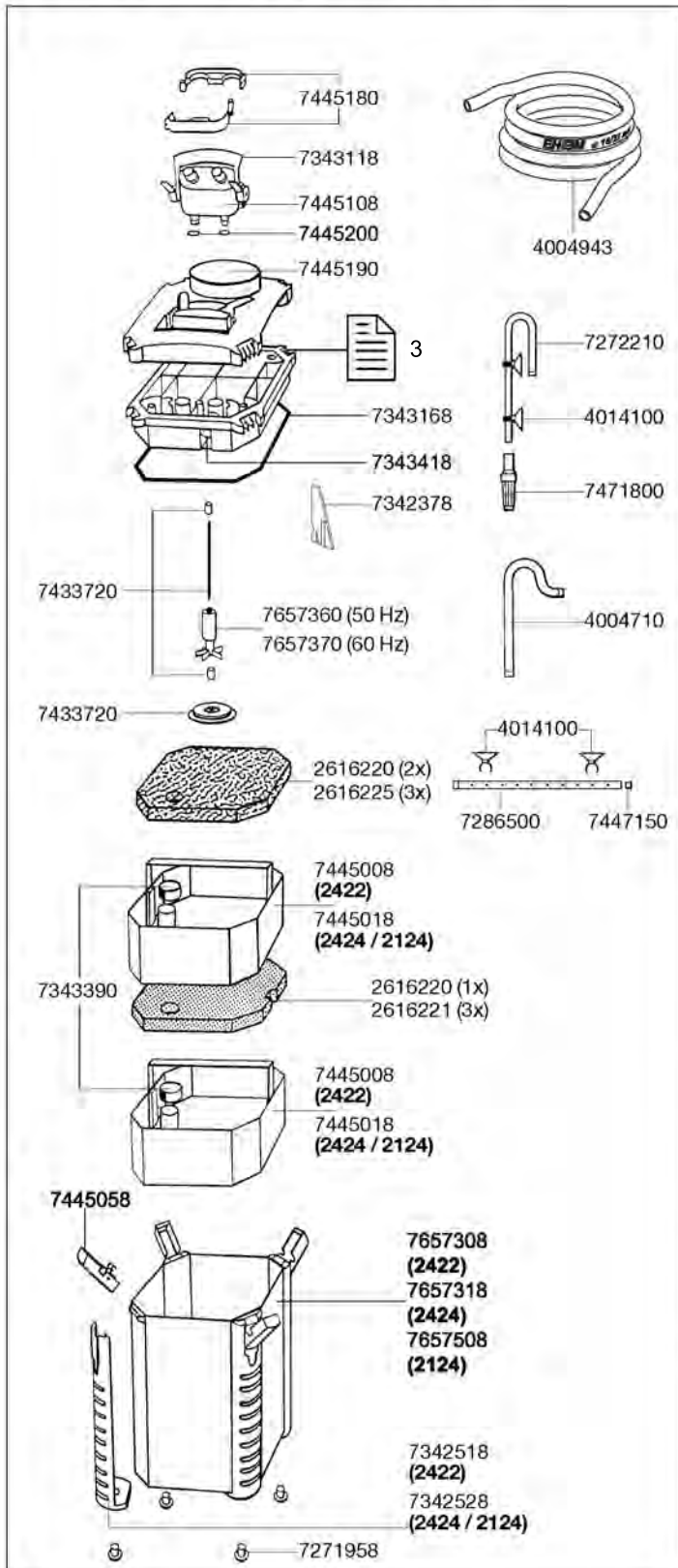
## 2422 External filter eXperience 150

## 2424 External filter eXperience 250

## 2124 Thermofilter eXperience 250 T



Spare parts. Subject to change without prior notice.



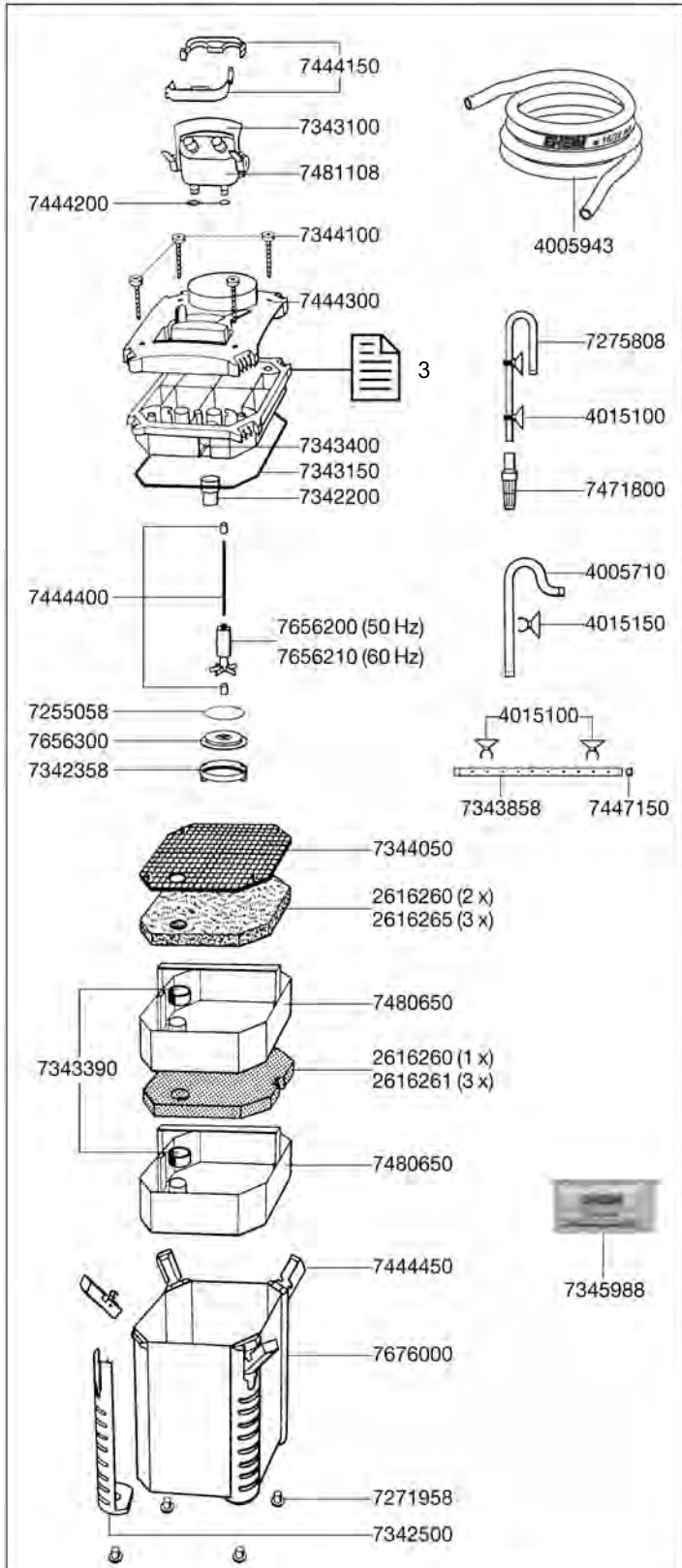
Order no.	Spare part	2422 / 2424 / 2124
2616220	Set of filter pads (1 x filter pad, 2 x fine filter pads)	
2616225	Set of filter pads (3 x fine filter pads)	
4004710	Outlet pipe	
4004943	Hose, pressure and suction side Ø 12/16 mm (3 m)	
4014100	Suction cup with clips (2 pieces)	
7271958	Rubber feet set (5 pieces)	
7272210	Intake pipe	
7286500	Outlet jet pipe	
7342378	Insert	
7342518	Side protection 2422	
7342528	Side protection 2424 / 2124	
7343118	Locking clamp for adapter	
7343168	Sealing gasket	
7343390	Rubber seals (3 pieces)	
7343418	Cleaning plug for pump head	
7433720	Set shaft with bushings	
7445008	Filter media container for 2422	
7445018	Filter media container for 2424 / 2124	
7445058	EZ clip	
7445108	Adapter complete	
7445180	Hose clamp	
7445190	Pump cover	
7445200	Set of sealing rings for adapter	
7447150	Set of pipe plugs	
7471800	Inlet strainer	
7472950	Inlet strainer	
7657308	Filter canister complete with side protection and rubber feet for 2422	
7657318	Filter canister complete with side protection and rubber feet for 2424	
7657360	Impeller 50 Hz	
7657370	Impeller 60 Hz	
7657390	Pumpe cover complete with bushings	
7657508	Filter canister complete with side protection, rubber feet and heater 230 V/50 Hz Schuko for 2124 <b>only for freshwater</b>	

# 1228 Pump head

## 2426 External filter eXperience 350



Spare parts. Subject to change without prior notice.



Order no.	Spare part	2426
2616260	Set of filter pads (1 x blue, 2 x white)	
2616261	Coarse filter pads (3 pieces)	
2616265	Set of fine filter pads (3 pieces)	
4005710	Outlet pipe	
4005943	Hose, pressure side and suction side ø 16/22 mm (3 m)	
4015150	Suction cup with clip (2 pieces)	
7255058	Sealing ring	
7271958	Rubber feet set (5 pieces)	
7275808	Intake pipe	
7342200	Input connector	
7342358	Locking device for pump cover	
7342500	Side protection	
7343100	Locking clamp for adapter	
7343150	Sealing gasket	
7343390	Rubber seals (3 pieces)	
7343400	Cleaning plug for pump head	
7343858	Outlet jet pipe	
7344050	Lattice screen	
7344100	Screws (4 pieces)	
7345988	Vaseline	
7444150	Hose clamp	
7444200	Set of sealing rings for adapter	
7444300	Pump cover	
7444400	Set shaft with bushings	
7444450	EZ clips	
7447150	Set of pipe plugs	
7471800	Inlet strainer	
7480650	Filter media container	
7481108	Adapter complete	
7656200	Impeller 50 Hz	
7656210	Impeller 60 Hz	
7656300	Pump cover complete with O-ring and bushings	
7676000	Filter canister complete with side protection and rubber feet	

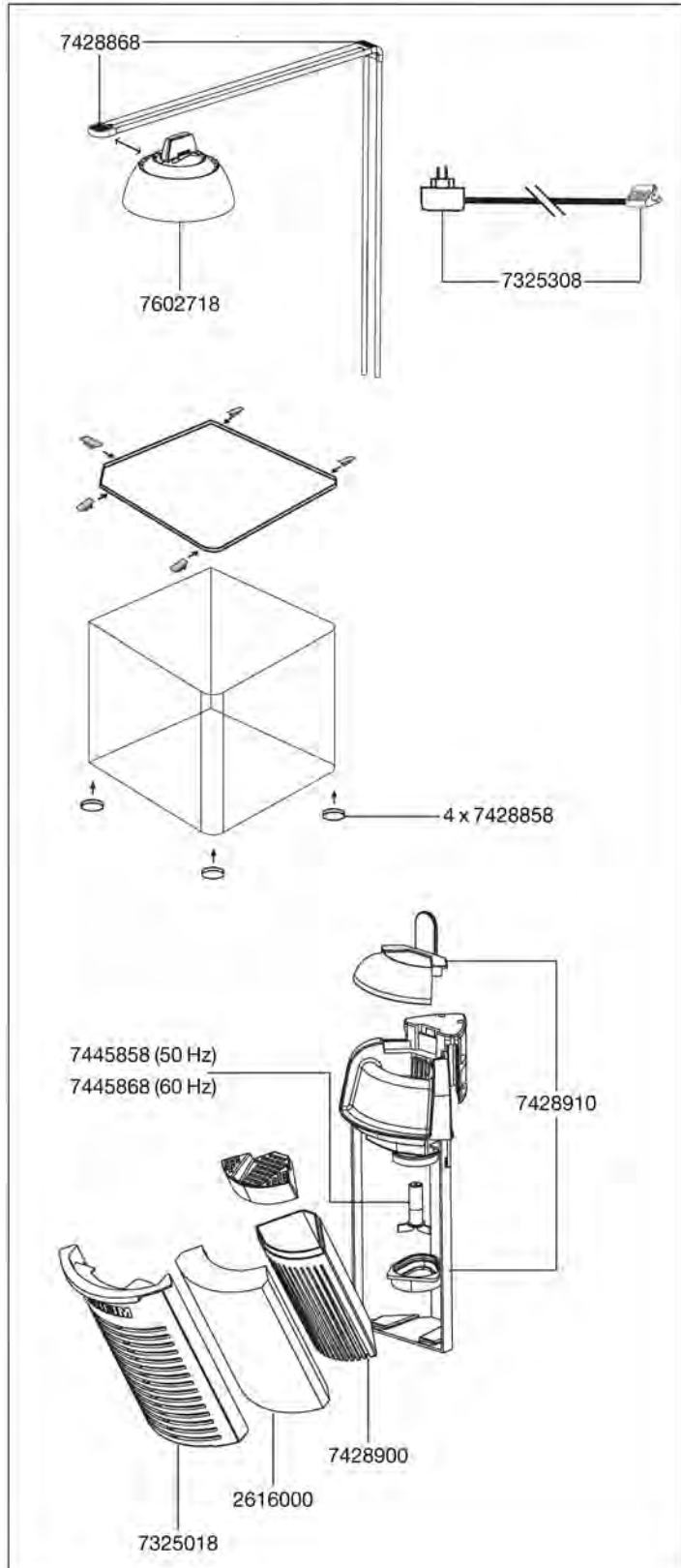
**6400 Nano aquarium set aquastyle 16**

**6401 Nano aquarium set aquastyle 24**

**6402 Nano aquarium set aquastyle 35**



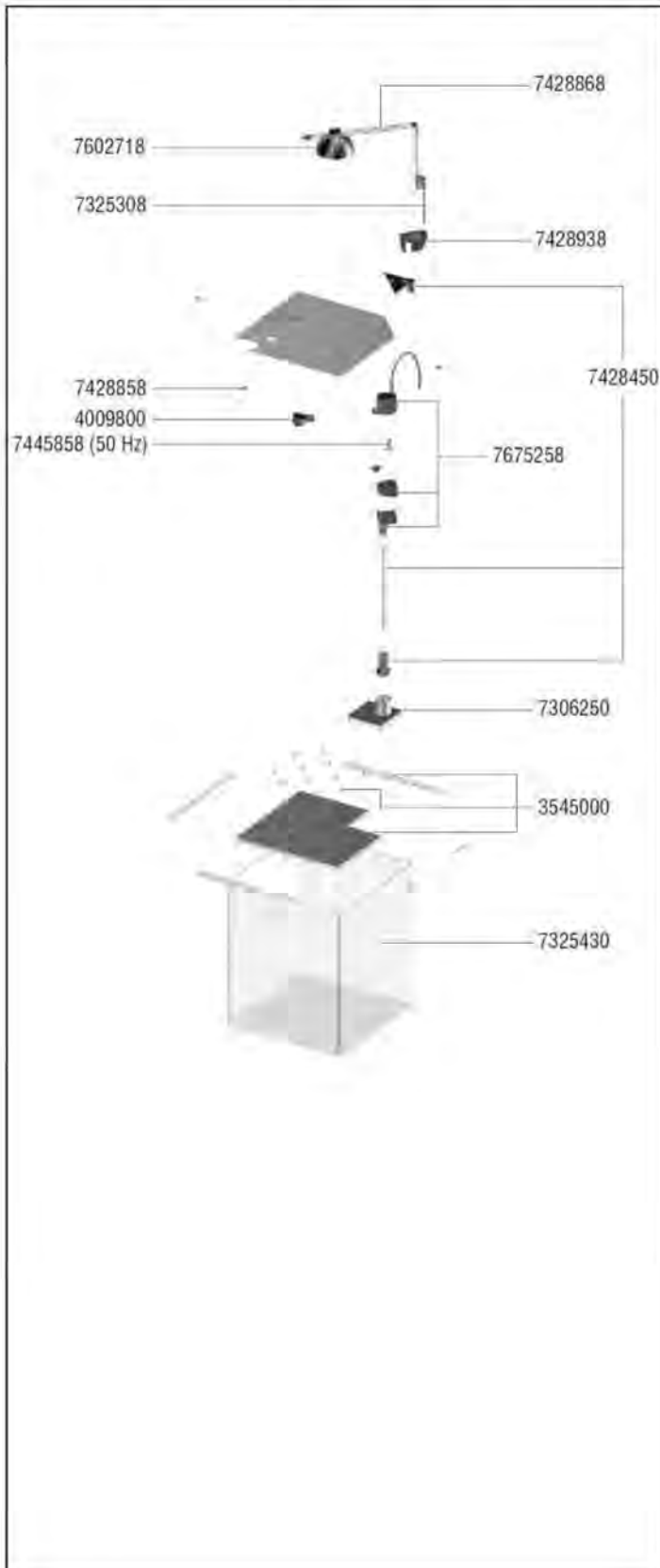
Spare parts. Subject to change without prior notice.



Order no.	Spare part	6400 / 6401 / 6402
2616000	Filter cartridge (2 pieces)	
7325018	Filter cover	
7325308	Transformer 100-240 V / 50-60 Hz Europe plug	
7428858	Set hood clip (5 x) and rubber feed (4 x)	
7428868	Parts for lamp holder	
7428900	Media box with cover	
7428910	Set cover	
7445858	Impeller for 50 Hz	
7445868	Impeller for 60 Hz	
7602718	Power LED lamp	



Spare parts. Subject to change without prior notice.



Order no.	spare part	6406
-----------	------------	------

3545000	undergravel filter (6x), side panel & spring-mounted clamps
---------	---

4009800	adapter-Set (incl. airstone)
---------	------------------------------

7306250	adapter plate
---------	---------------

7325308	power supply 100-240 V / 50-60 Hz GB-plug
---------	---

7428450	corner cover, PVC pipe & plug-on piece
---------	--

7428858	Set hood clips (5x) and rubber feed (4x)
---------	--

7428868	lamp holder
---------	-------------

7428938	retaining clip for lamp holder
---------	--------------------------------

7445858	Impeller for 50 Hz
---------	--------------------

7602718	powerLED lamp daylight
---------	------------------------

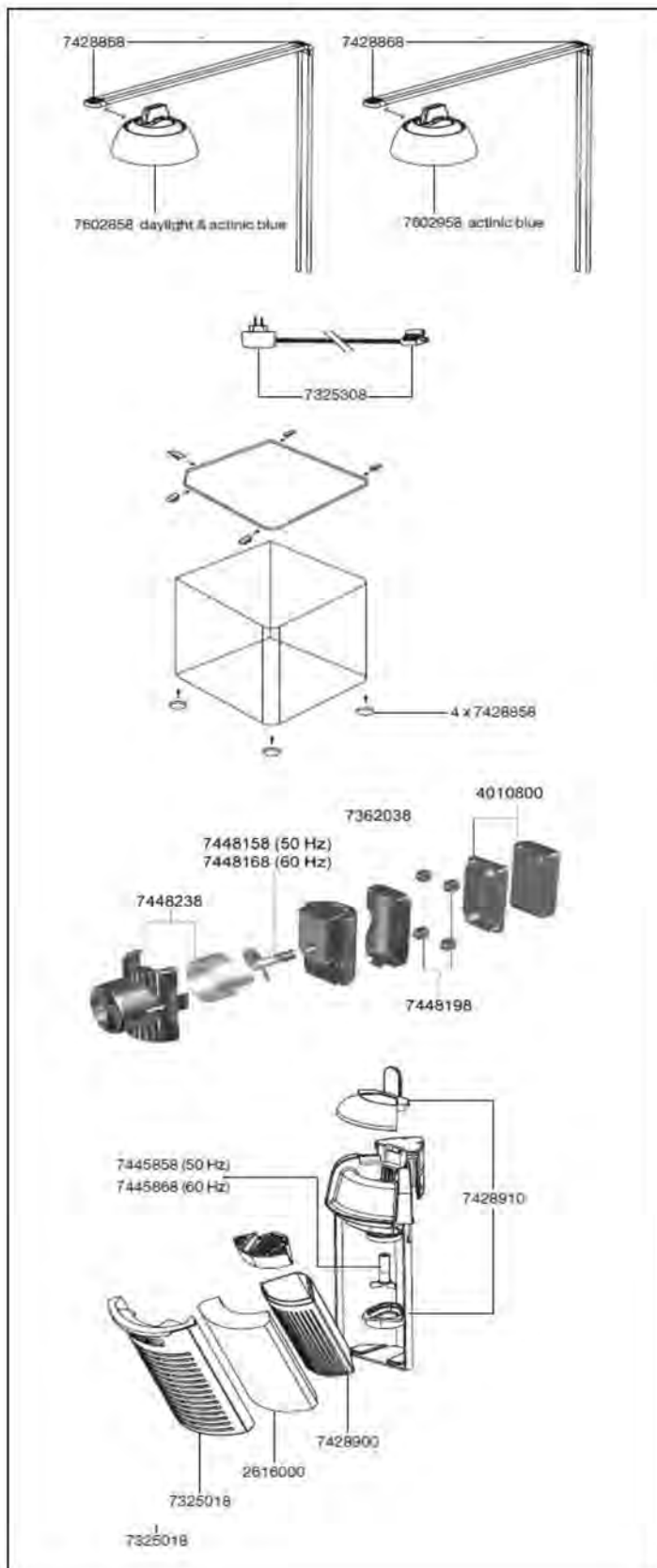
7675258	pump compact 300
---------	------------------

# 6410 Nano aquarium marine

**EHEIM**  
nanomarine 35



Spare parts. Subject to change without prior notice.



## Order no. Spare part

- |         |   |
|---------|---|
| 2616000 | Filter cartridge (2 pieces)                   |
| 4010800 | Magnet holder complete with 4 pieces cushions |
| 7325018 | Filter cover                                  |
| 7325308 | Transformer 100-240 V / 50-60 Hz Europe plug  |
| 7362038 | Pump holder                                   |
| 7428858 | Set hood clip (5 x) and rubber feed (4 x)     |
| 7428868 | Parts for lamp holder                         |
| 7428900 | Media box with cover                          |
| 7428910 | Set cover                                     |
| 7445858 | Impeller for 50 Hz aquacorner 60              |
| 7445868 | Impeller for 60 Hz aquacorner 60              |
| 7448158 | Impeller (50 Hz) for streamON+ 2000           |
| 7448168 | Impeller (60 Hz) for streamON+ 2000           |
| 7448198 | Cashions (4 pieces)                           |
| 7448238 | Pump housing complete with output regulator   |
| 7602858 | Power LED lamp daylight & arctinic blue       |
| 7602958 | Power LED lamp arctinic blue                  |

**6500 Cabinet for aquastyle 16 (black)**

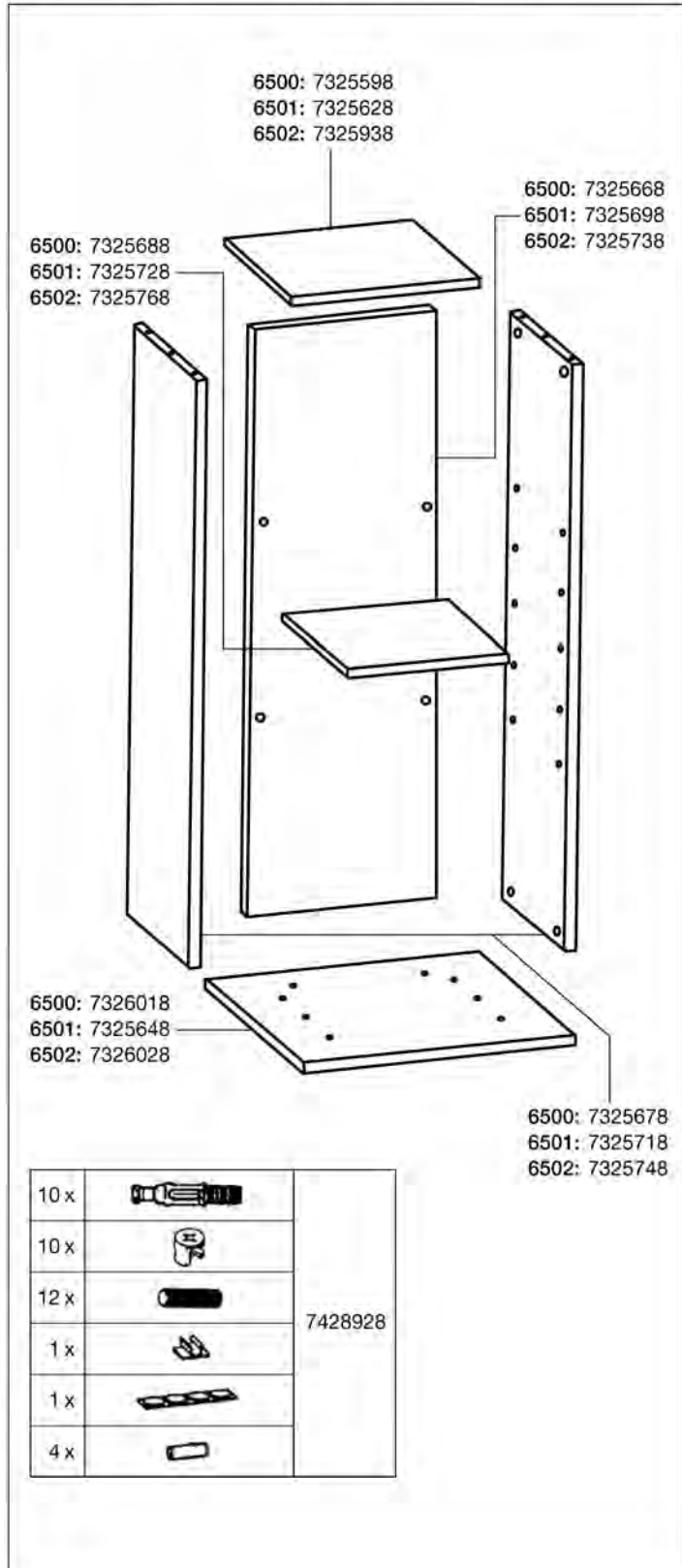
**6501 Cabinet for aquastyle 24 (black)**

**6502 Cabinet for aquastyle 35 (black)**

**EHEIM**  
aquastyle



Spare parts. Subject to change without prior notice.



Order no.	Spare part	Decor
7325598	Top panel for 6500	black
7325628	Top panel for 6501	black
7325938	Top panel for 6502	black
7325668	Front panel for 6500	black
7325698	Front panel for 6501	black
7325738	Front panel for 6502	black
7325678	Side panel for 6500	black
7325718	Side panel for 6501	black
7325748	Side panel for 6502	black
7325688	Shelf panel for 6500	black
7325728	Shelf panel for 6501	black
7325768	Shelf panel for 6502	black
7326018	Floor panel for 6500	black
7325648	Floor panel for 6501	black
7326028	Floor panel for 6502	black
7428928	Mounting accessories	



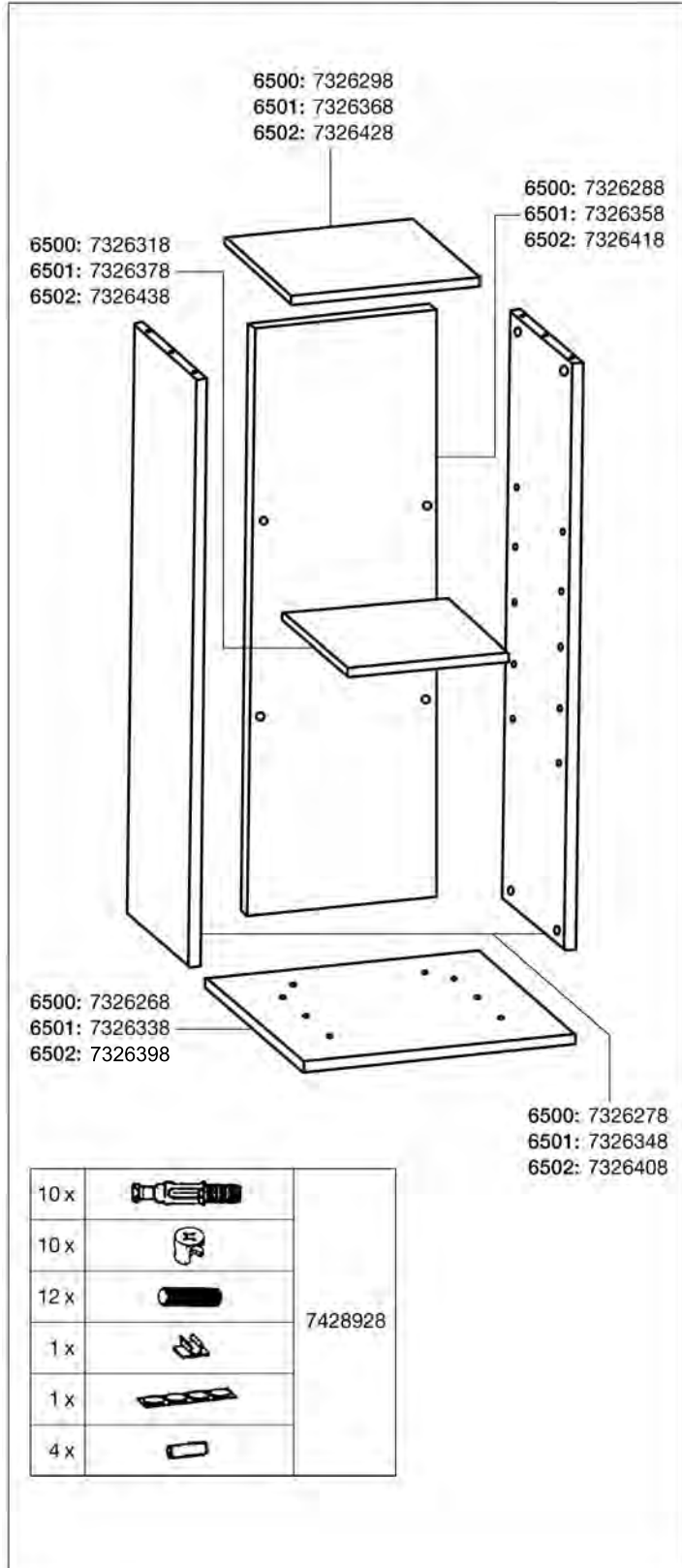
**6500 Cabinet for aqua style 16 (white)**

**6501 Cabinet for aqua style 24 (white)**

**6502 Cabinet for aqua style 35 (white)**



Spare parts. Subject to change without prior notice.



Order no.	Spare part	Decor
7326298	Top panel for 6500	white
7326368	Top panel for 6501	white
7326428	Top panel for 6502	white
7326288	Front panel for 6500	white
7326358	Front panel for 6501	white
7326418	Front panel for 6502	white
7326278	Side panel for 6500	white
7326348	Side panel for 6501	white
7326408	Side panel for 6502	white
7326318	Shelf panel for 6500	white
7326378	Shelf panel for 6501	white
7326438	Shelf panel for 6502	white
7326268	Floor panel for 6500	white
7326338	Floor panel for 6501	white
7326398	Floor panel for 6502	white
7428928	Mounting accessories	

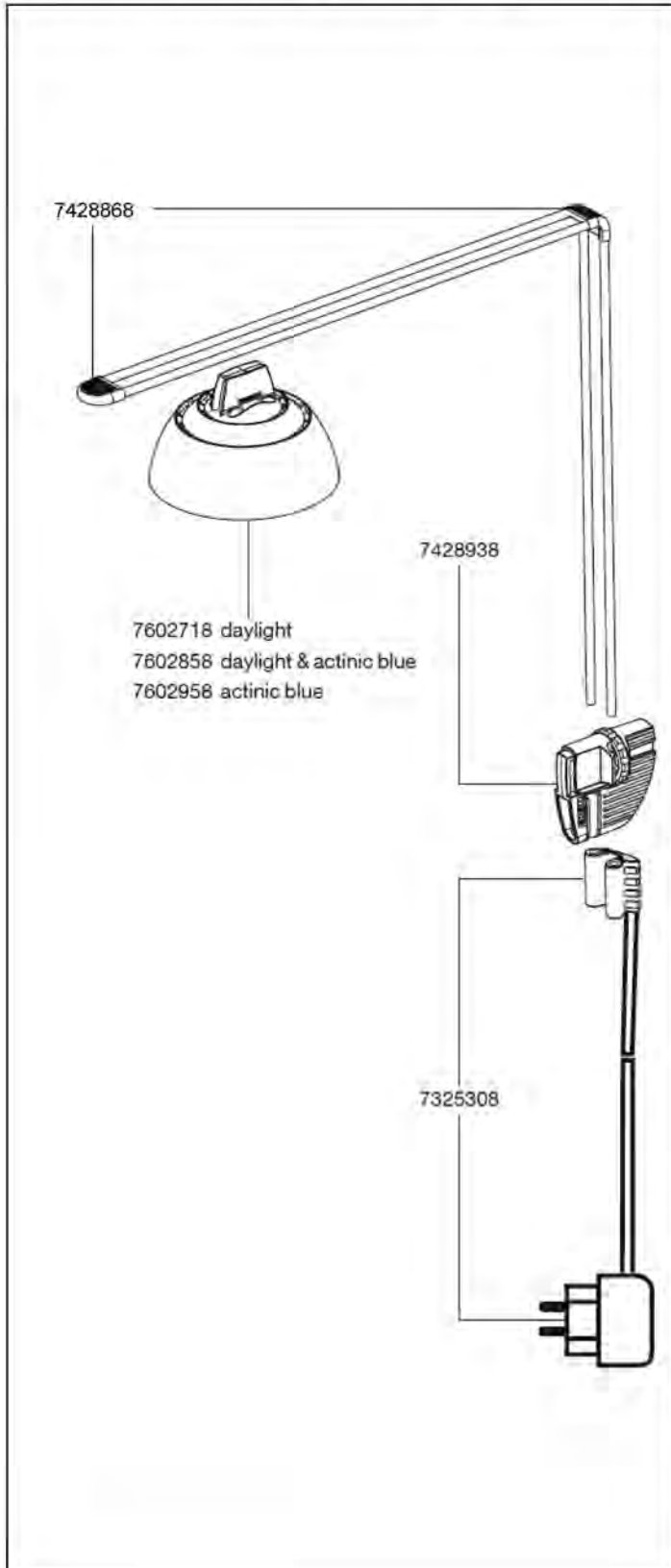


6471 powerLED daylight  
 6471 powerLED actinic blue  
 6471 powerLED daylight & actinic blue

**EHEIM**  
 powerLED



Spare parts. Subject to change without prior notice.



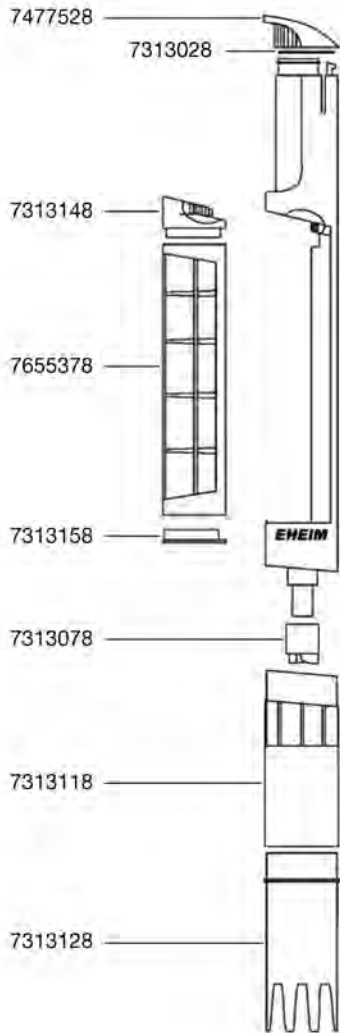
Order no.	Spare part	6471
7325308	Transformer 100-240 V / 50-60 Hz Europe plug	
7428868	Parts for lamp holder	
7428938	Clamp for lamp holder	
7602718	LED lamp daylight	
7602858	LED lamp daylight & actinic blue	
7602958	LED lamp actinic blue	

**3531 Sludge extractor (battery operated)**  
**3533 Glas scrapper**

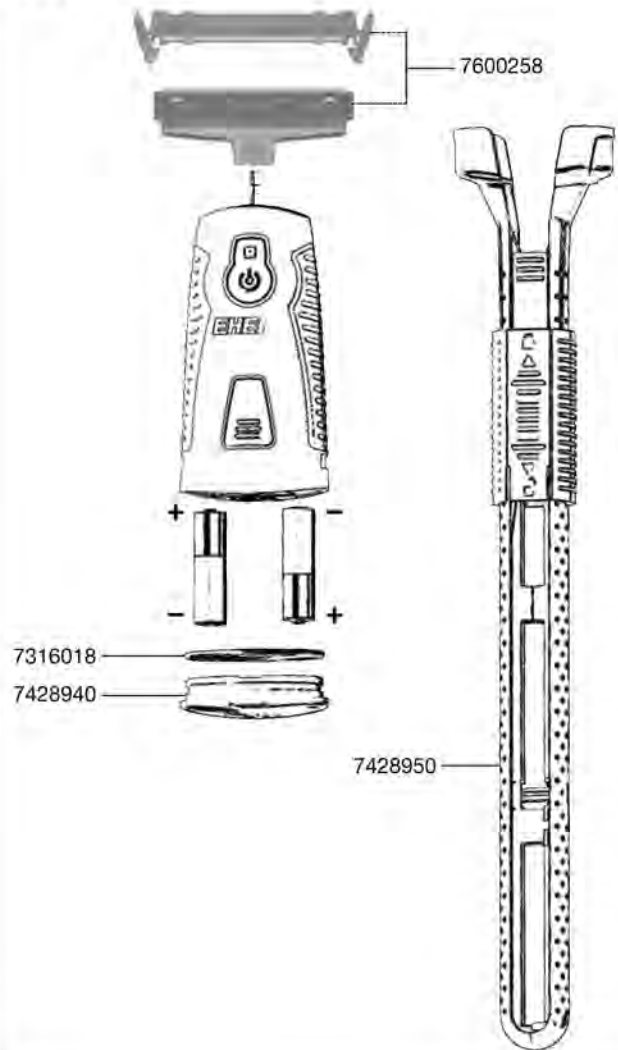
Spare parts. Subject to change without prior notice.



**3531**



**3533**



Order no.	Spare part	3531
7313028	Sealing ring (2 pieces)	_____
7313078	Impeller	_____
7313118	Suction nozzle	_____
7313128	Extension nozzle	_____
7313148	Upper cover	_____
7313158	Lower cover	_____
7477528	Compl. cover for battery compartment	_____
7655378	Complete filter element	_____

Order no.	Spare part	3533
7316018	Sealing ring	_____
7428940	Body lid complete with sealing ring	_____
7428950	Grip complete	_____
7600258	Blade holder with blade guard (3 pieces)	_____

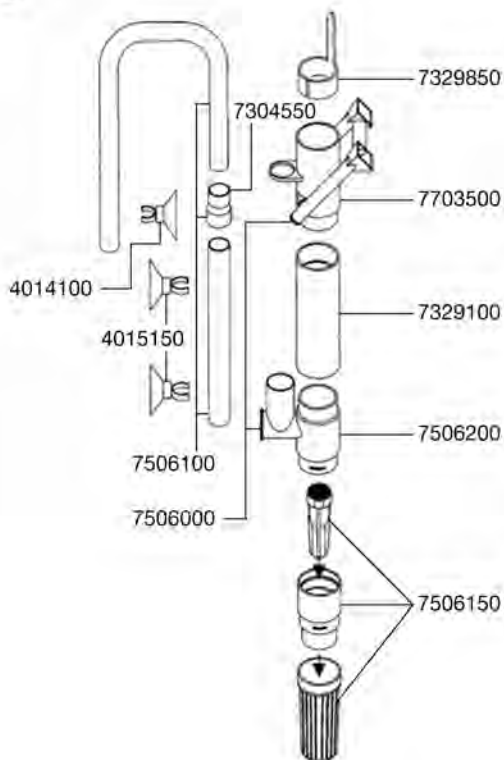
# 3535 Surface extractor

# 3536 Surface extractor *skim350*

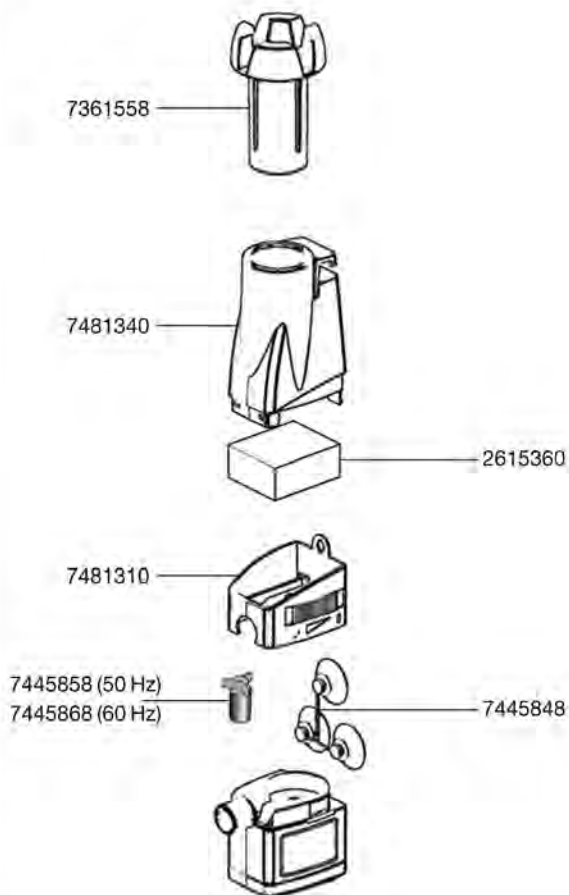


Spare parts. Subject to change without prior notice.

## 3535



## 3536

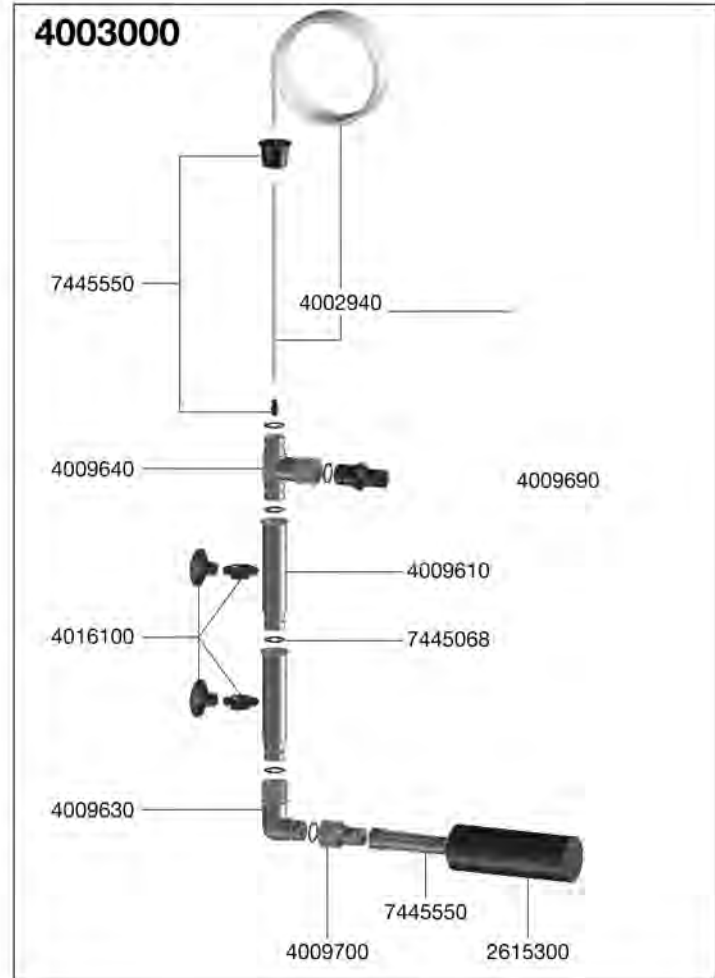
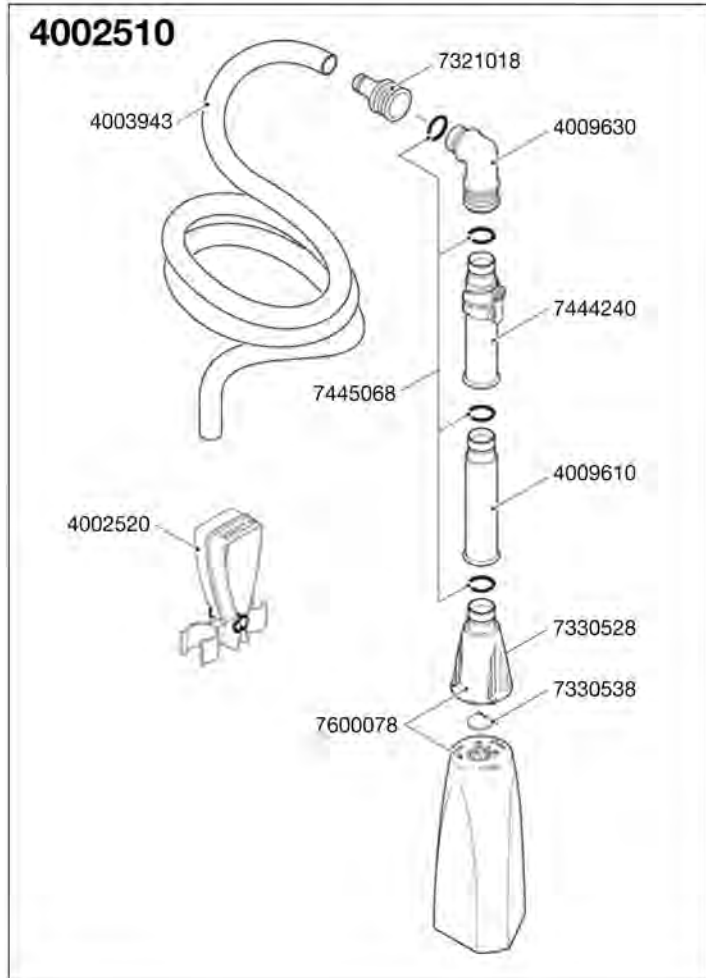


Order no.	Spare part	3535
4014100	Suction cup with clip ø 13 mm (2 pieces)	
4015150	Suction cup with clip ø 17 mm (2 pieces)	
7304550	Hose (2 pieces)	
7329100	Pipe	
7329850	Locking device	
7506000	Lug set	
7506100	Tubing	
7506150	Valve	
7506200	Bottom inlet	
7703500	Intake float	

Order no.	Spare part	3536
2615360	Filter cartridge (2 pieces)	
7361558	Float	
7445848	Suction cup (4 pieces)	
7445858	Impeller 50 Hz	
7445868	Impeller 60 Hz	
7481310	Pump cover with power regulator	
7481340	Float chamber with filter cartridge (1 piece) and cable clip	

**4002510 Gravel cleaner set**  
**4003000 Air Filter**

Spare parts. Subject to change without prior notice.



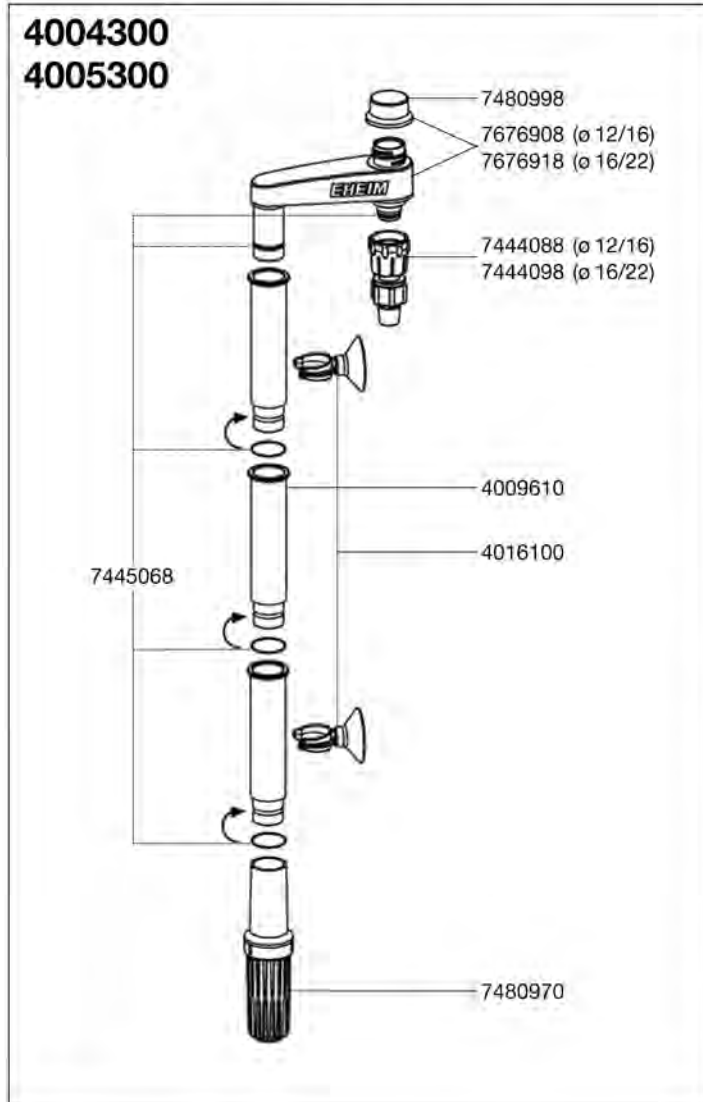
Order no.	Spare part	4002510
4002520	Hose clip	
4003943	Hose $\varnothing$ 9/12 mm (3 m)	
4009610	Extension kit 1: 2 extension pieces with sealing rings	
4009630	Elbow with sealing ring	
7321018	Nozzle set: for hose $\varnothing$ 9/12 mm	
7330528	Adapter	
7330538	Valve	
7445068	Set of sealing rings	
7444240	Tube complete with Quick Aqua Stop	
7600078	Gravel cleaner complete incl. adapter, valve and gravel cleaner	

Order no.	Spare part	4003000
2615300	Filter cartridge (2 pieces)	
4002940	Hose $\varnothing$ 4/6 mm	
4009610	Extension tube (2 pieces)	
4009630	Elbow piece	
4009640	T-piece	
4009690	Hose-to-tube-connectors	
4009700	Nozzle and adapter pieces	
4016100	Suction cup with clip (2 pieces)	
7445068	Set sealing ring	
7445550	Connection seal, diffuser and filter tube	

- 4004300 Universal Installation Kit 1 for  $\varnothing$  12 mm
- 4005300 Universal Installation Kit 1 for  $\varnothing$  16 mm
- 4004310 Universal Installation Kit 2 for  $\varnothing$  12 mm
- 4005310 Universal Installation Kit 2 for  $\varnothing$  16 mm

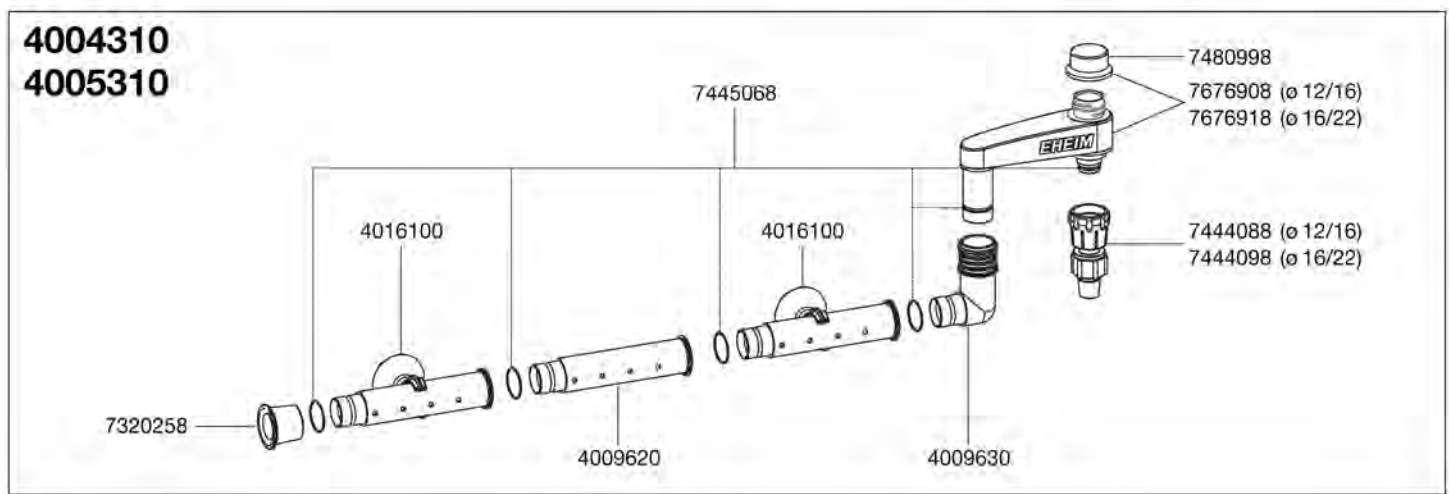


Spare parts. Subject to change without prior notice.



Order no.	Spare part	4004300/4005300
4009610	Extension kit 1 with 2 extension pieces	
4016100	Suction cup with clip (2 pieces)	
7444088	Hose coupling ( $\varnothing$ 12/16 mm)	
7444098	Hose coupling ( $\varnothing$ 16/22 mm)	
7445068	Set of sealing rings	
7480970	Inlet strainer	
7480998	Cap	
7676908	Connector complete with cup and sealing rings for hose $\varnothing$ 12/16	
7676918	Connector complete with cup and sealing rings for hose $\varnothing$ 16/22	

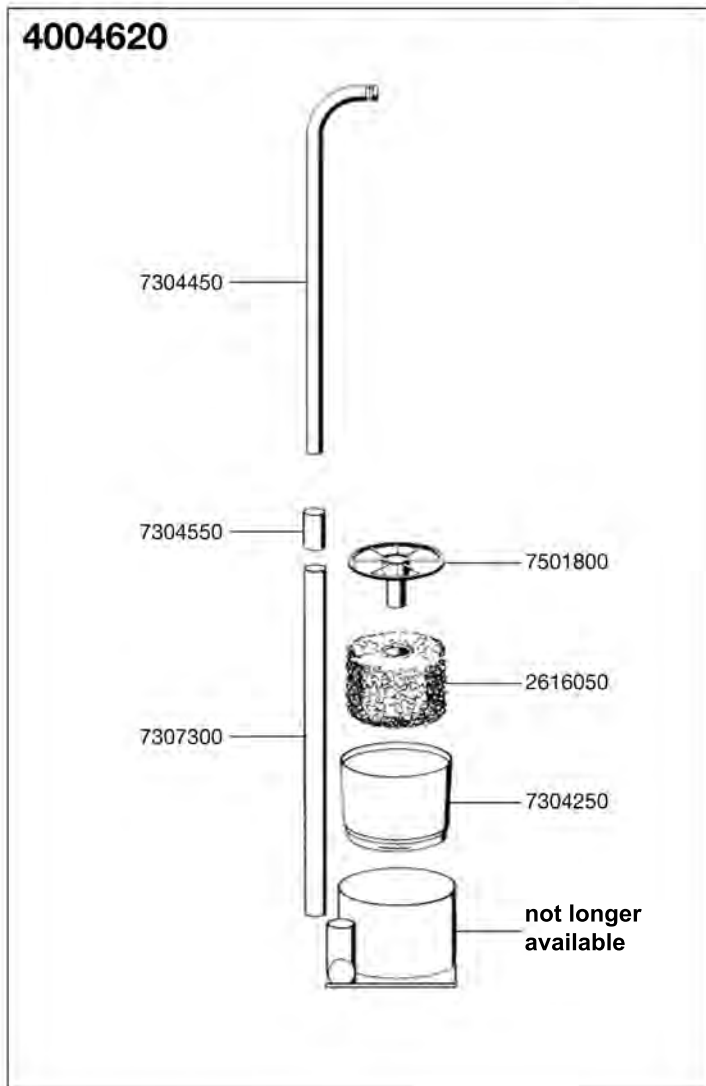
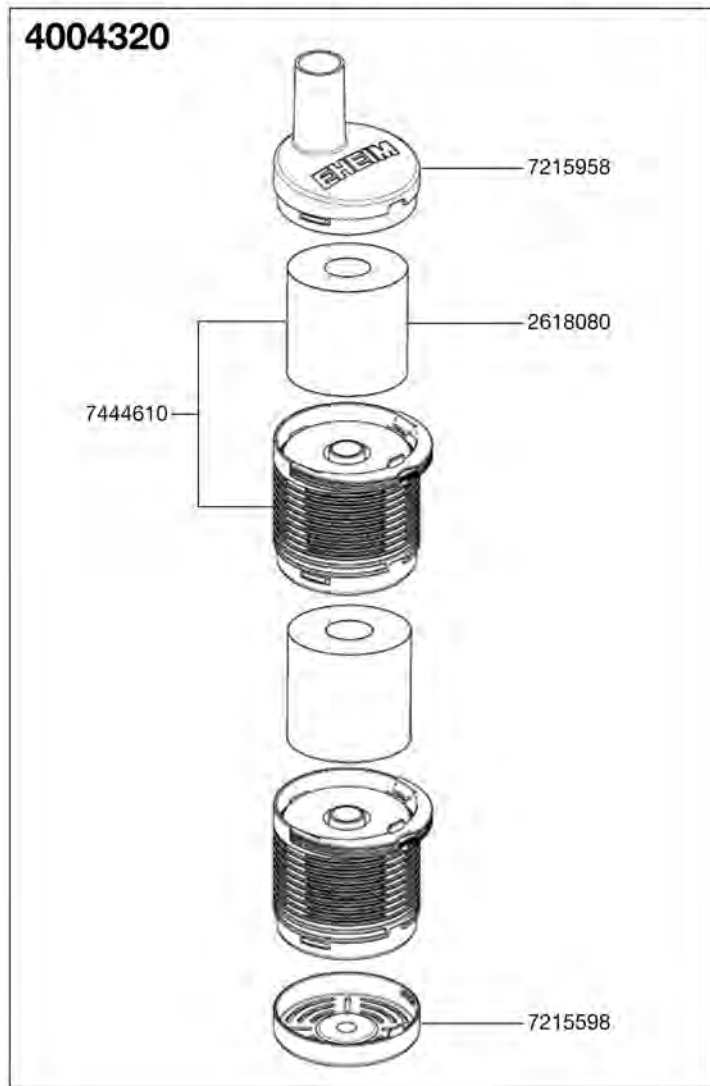
Order no.	Spare part	4004310/4005310
4009620	Extension kit 2 with 2 extension pieces	
4009630	Elbow piece	
4016100	Suction cup with clip (2 pieces)	
7320258	Stopper	
7444088	Hose coupling ( $\varnothing$ 12/16 mm)	
7444098	Hose coupling ( $\varnothing$ 16/22 mm)	
7445068	Set of sealing rings	
7480998	Cap	
7676908	Connector complete with cup and sealing rings for hose $\varnothing$ 12/16	
7676918	Connector complete with cup and sealing rings for hose $\varnothing$ 16/22	



**4004320 Prefilter**  
**4004620 Prefilter**



Spare parts. Subject to change without prior notice.

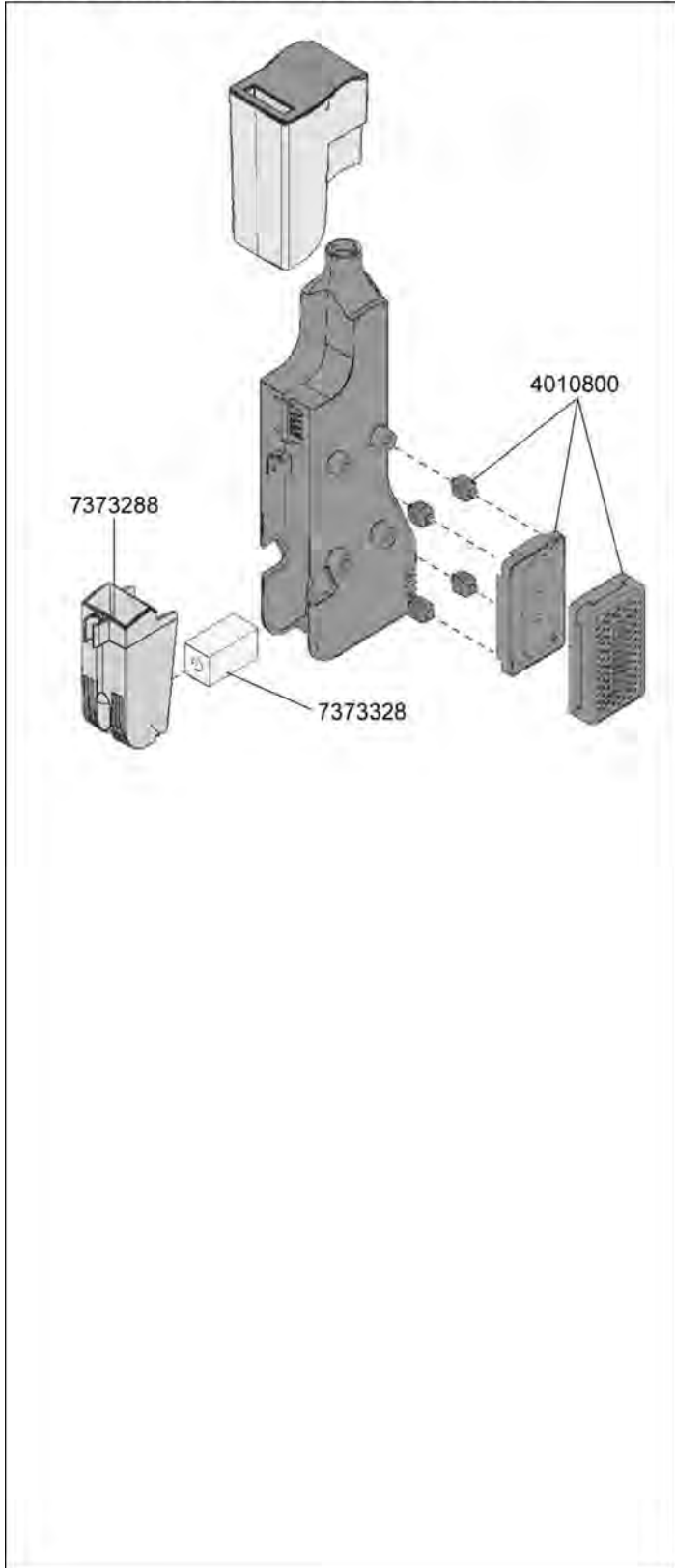


Order no.	Spare part	4004320
2618080	Cartridge for prefilter (2 pieces)	
7215598	Filter bottom	
7215958	Prefilter cover	
7444610	Prefilter with prefilter cartridge	

Order no.	Spare part	4004620
2616050	Insert for prefilter	
7304250	Housing	
7304450	Intake pipe	
7304550	Tubing (2 pieces)	
7307300	Pipe	
7501800	Lattice screen	
7501850	<b>not longer available</b>	



Spare parts. Subject to change without prior notice



Order no.	Spare part	3551
4010800	Magnet holder with 4 pieces vibration absorber	
7373288	Box	
7373328	Lime wood airstone (3 pieces)	

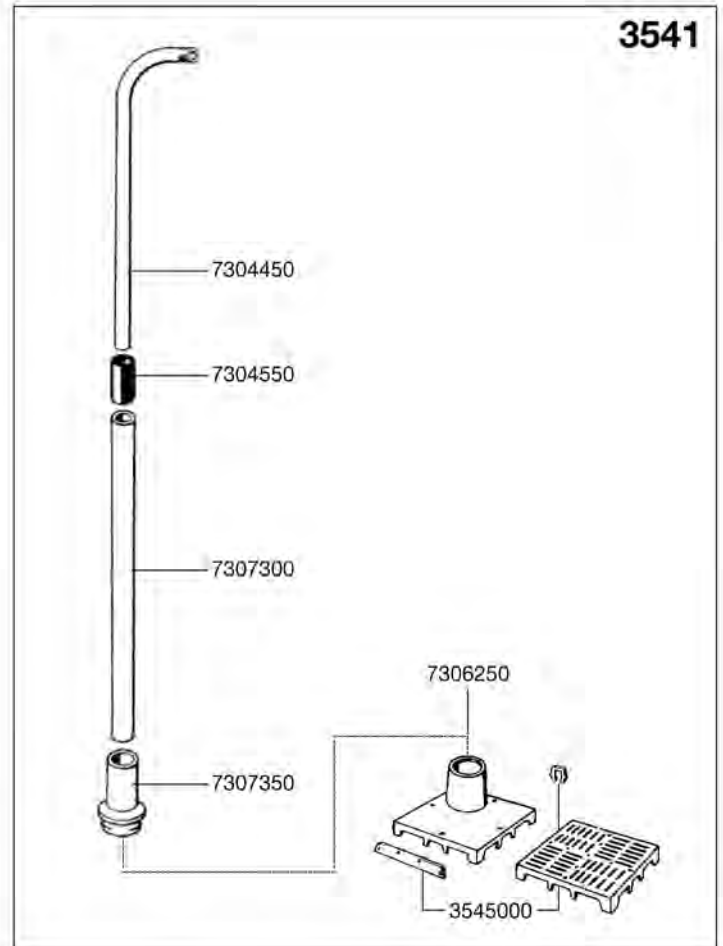
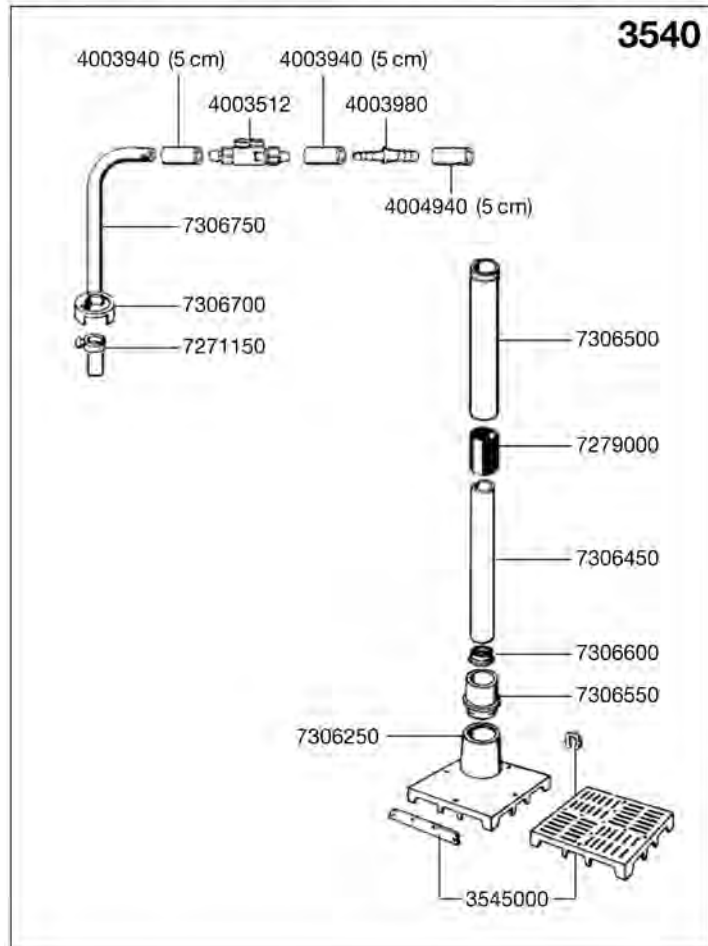


## 3540 Undergravel filter throughflow principle

## 3541 Undergravel filter suction principle

**EHEIM**

Spare parts. Subject to change without prior notice.

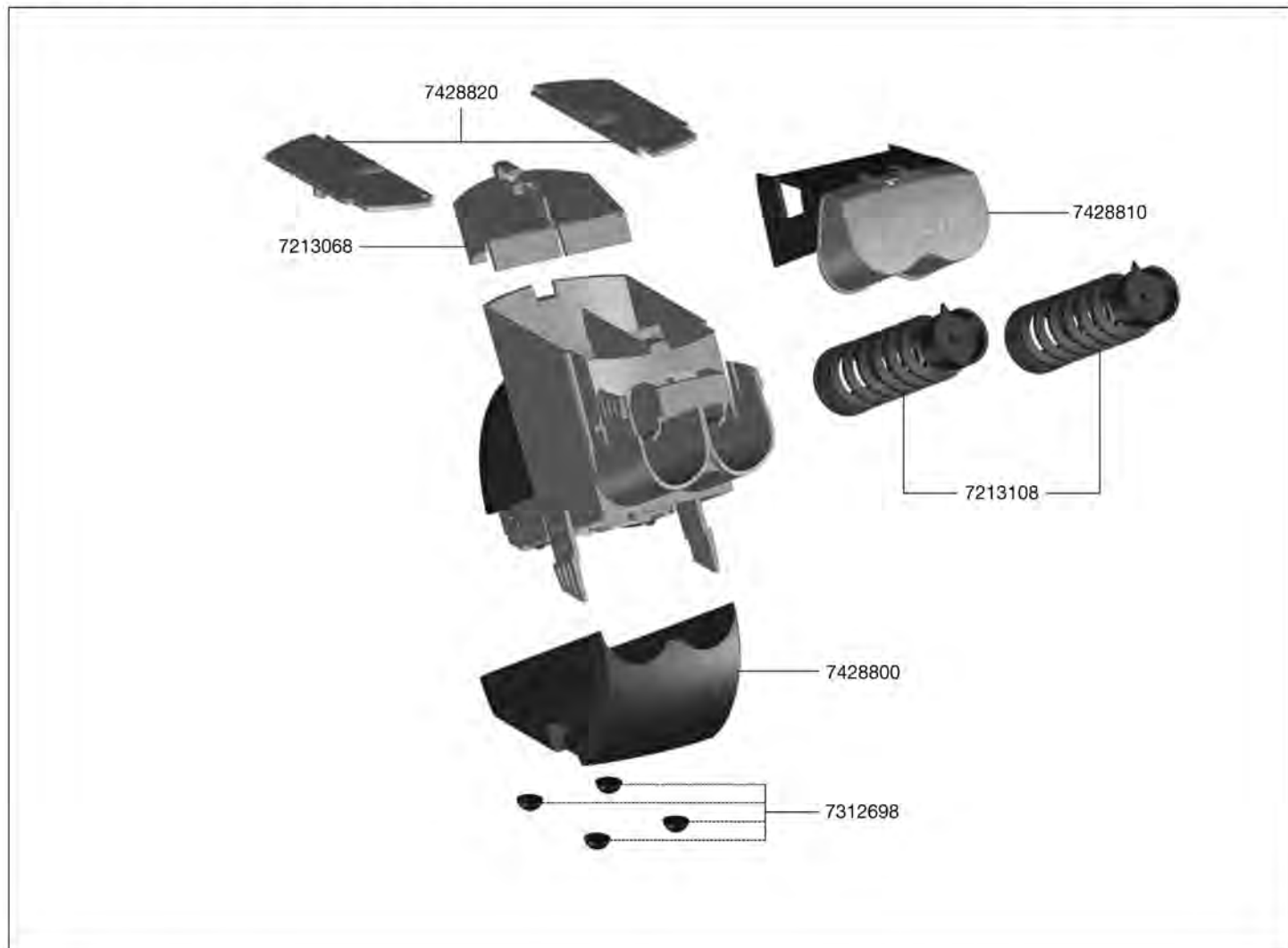


Order no.	Spare part	3540
4003512	Connector tap	
4003940	Hose ø 9 / 12 mm	
4003980	Reducing piece	
4004940	Hose ø 12 / 16 mm	
7271150	Clip (2 pieces)	
7279000	Tubing	
7306250	Connecting plate	
7306450	Connecting pipe	
7306500	Through-flow pipe	
7306550	Snap-in part	
7306600	Adjusting disc (2 pieces)	
7306700	Clamping sleeve	
7306750	Inlet pipe ø 10 mm	

Order no.	Spare part	3541
7304450	Intake pipe	
7304550	Hose	
7306250	Connecting plate	
7307300	Pipe	
7307350	Snap-in part	
<b>Extension set for 3540 / 3541</b>		
3545000	6 extension plates with side protections and connecting pieces	



Spare parts. Subject to change without prior notice.



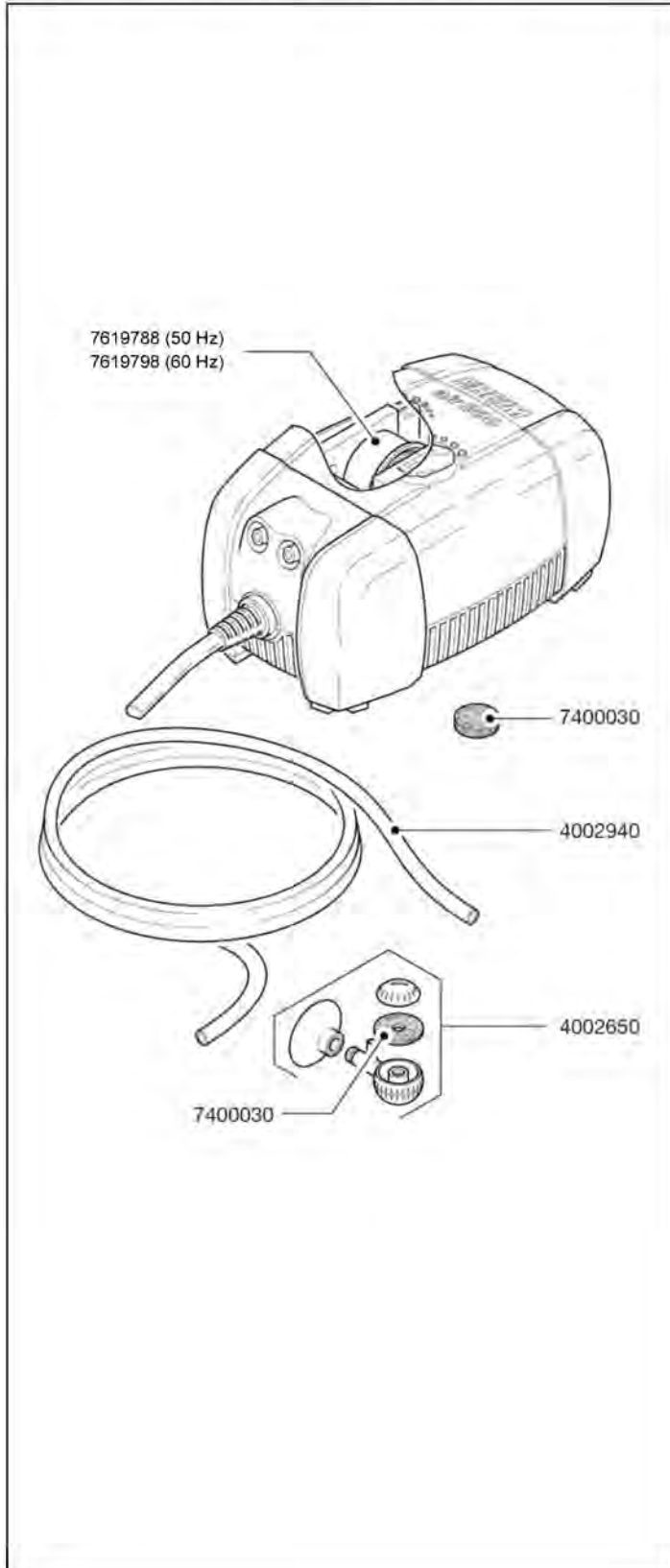
Order no.	Spare part
7213068	Canister insert
7213108	Spiral
7312698	Rubber feet set (4 pieces)

Order no.	Spare part
7428800	Battery case complete (without batteries)
7428810	Stop valve with holder
7428820	Canister lid left and right

3701 air pump 100  
 3702 air pump 200  
 3704 air pump 400

**EHEIM**  
 air pump

Spare parts. Subject to change without prior notice.



Order no.	Spare part	3701 / 3702 / 3704
4002940	Hose ø 4/6 mm	
4002650	Air diffuser	
7619788	swing arm 50 Hz with membrane	
7619798	swing arm 60 Hz with membrane	
7400030	Air cleaner and felt wheel (2 pieces)	

**3721 UV-Sterilizer** *reeflexUV 350*

**3722 UV-Sterilizer** *reeflexUV 500*

**3723 UV-Sterilizer** *reeflexUV 800*



Spare parts. Subject to change without prior notice.



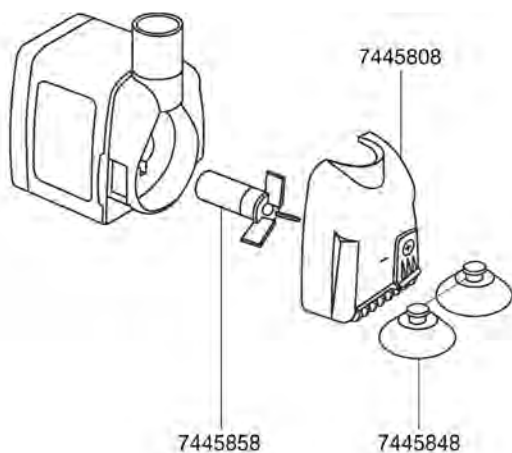
Order no.	Spare part	3721 / 3722 / 3723
7315168	UV-C-lamp (9 Watt) for reflexUV 500	
7315188	Holder with screws	
7315298	UV-C-lamp (7 Watt) for reflexUV 350	
7315308	UV-C-lamp (11 Watt) for reflexUV 800	
7481148	Threaded connector Hose ø 12/16 mm for reflexUV 350	
7481168	Threaded connector Hose ø 16/22 mm for reflexUV 500 and 800	
7481300	Set of sealing rings and screws for reflexUV 350, 500 and 800	

**1000 Compact Pump 300**  
**1001 Compact Pump 600**  
**1002 Compact Pump 1000**

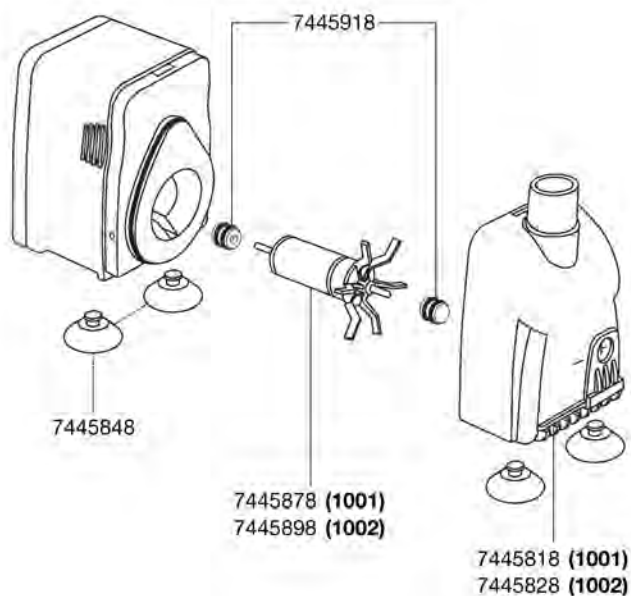


Spare parts. Subject to change without prior notice.

**1000**



**1001 / 1002**



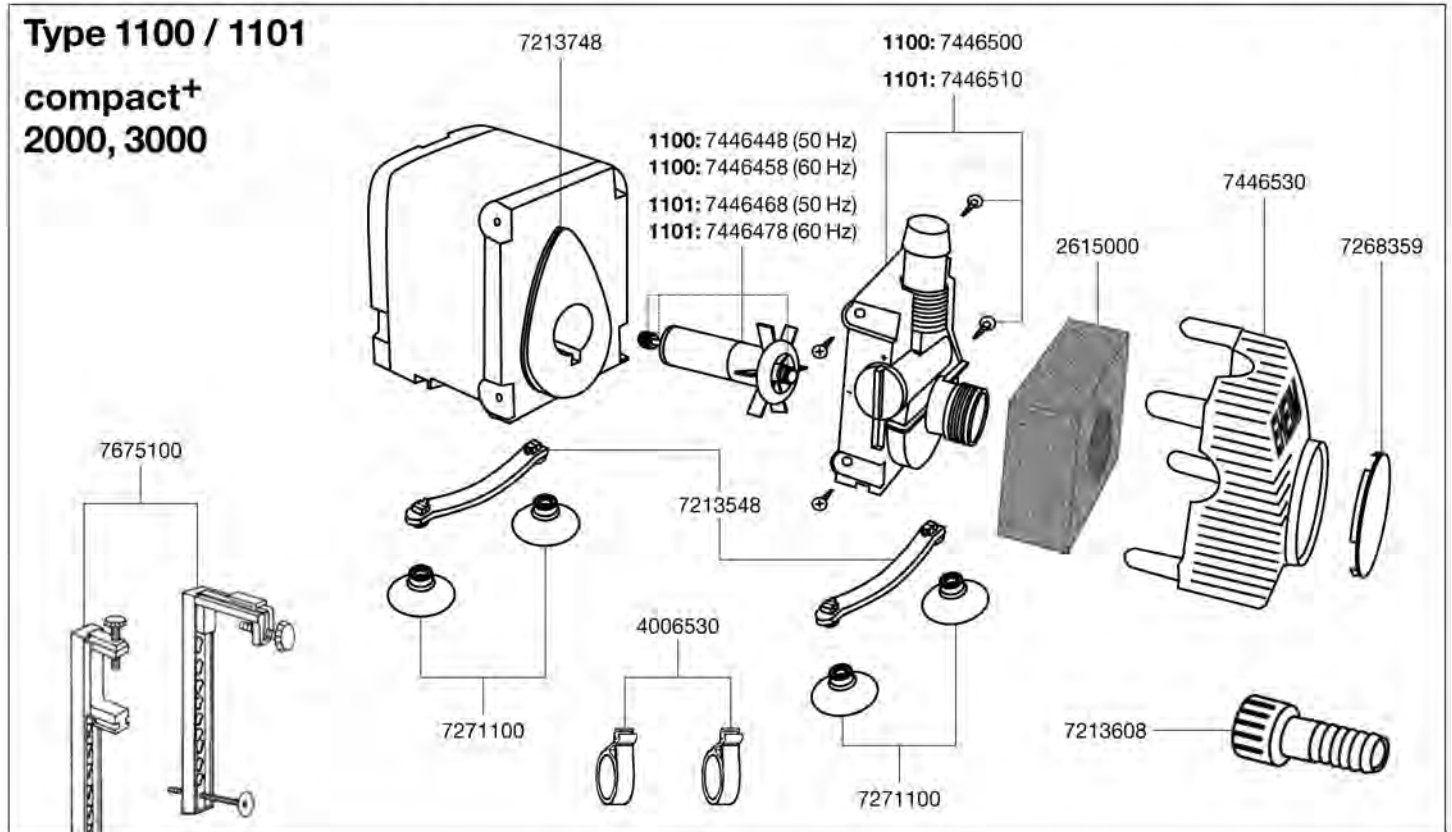
Order no.	Spare part	1000
7445808	Pump housing complete with output regulator and protector	
7445848	Suction cup (4 pieces)	
7445858	Impeller (50 Hz)	
7445868	Impeller (60 Hz)	

Order no.	Spare part	1001/1002
7445818	Pump housing complete for 1001 with output regulator and protector	
7445828	Pump housing complete for 1002 with output regulator and protector	
7445848	Suction cup (4 pieces)	
7445878	Impeller (50 Hz) for 1001	
7445888	Impeller (60 Hz) for 1001	
7445898	Impeller (50 Hz) for 1002	
7445908	Impeller (60 Hz) for 1002	
7445918	Bearings (2 pieces)	

**1100 Pump compact+ 2000**  
**1101 Pump compact+ 3000**



Spare parts. Subject to change without prior notice.

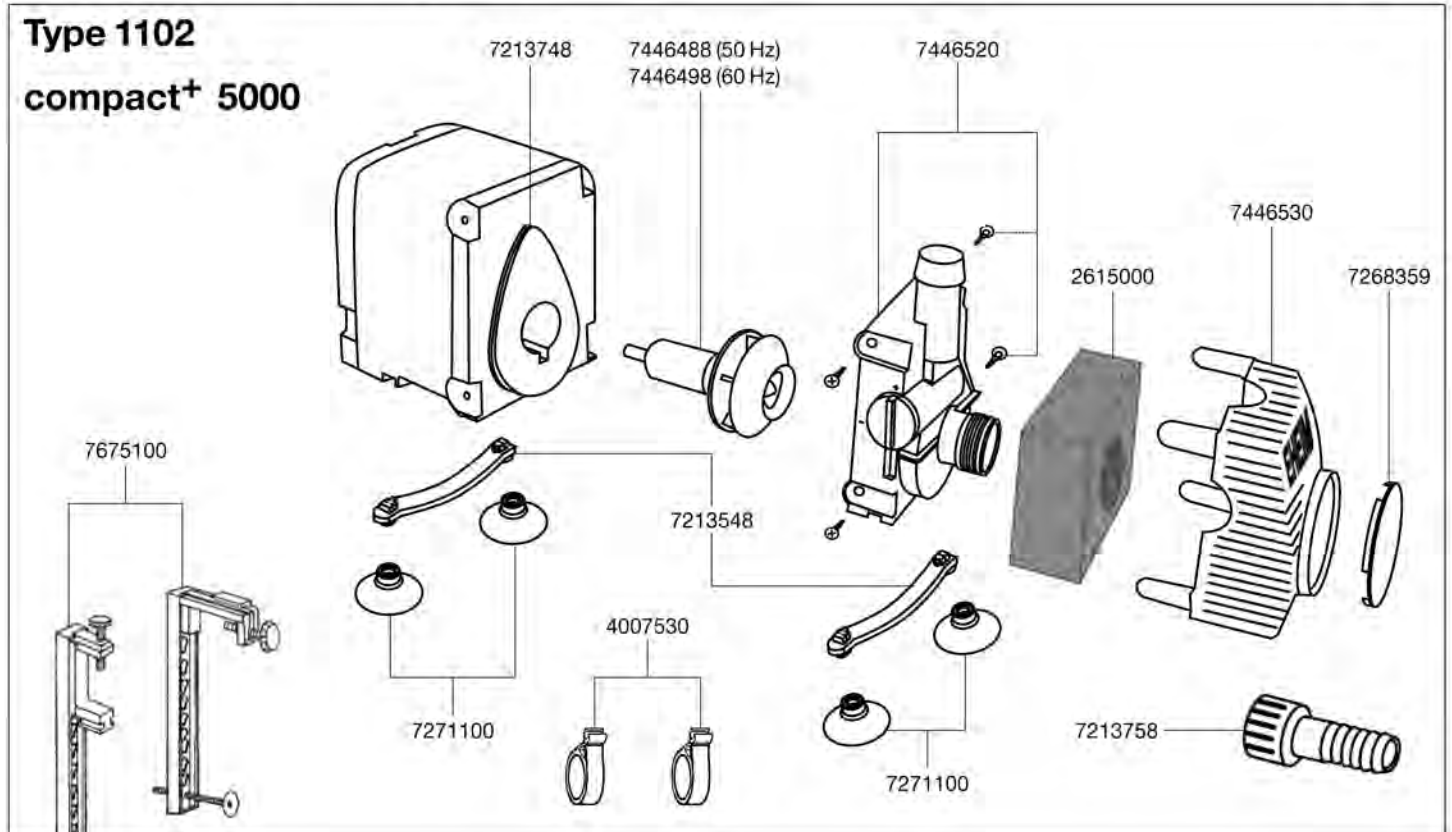


Order no.	Spare part	1100 / 1101
2615000	Coarse foam (2 pieces)	
4006530	Hose clamp (2 pieces)	
7213548	Attachment sleeves (2 pieces)	
7213608	Threaded connector suction side	
7213748	Sealing ring (2 pieces)	
7268359	Sealing cover	
7271100	Suction cup (4 pieces)	
7446448	Impeller (50 Hz) for <b>compact+ 2000</b> , Type 1100	
7446458	Impeller (60 Hz) for <b>compact+ 2000</b> , Type 1100	

Order no.	Spare part	1100 / 1101
7446468	Impeller (50 Hz) for <b>compact+ 3000</b> , Type 1101	
7446478	Impeller (60 Hz) for <b>compact+ 3000</b> , Type 1101	
7446500	Pump housing complete with sealing ring and 4 screws for <b>compact+ 2000</b> , Type 1100	
7446510	Pump housing complete with sealing ring and 4 screws for <b>compact+ 3000</b> , Type 1100	
7446530	Intake screen with sealing cover	
7675100	Holding brackets	



Spare parts. Subject to change without prior notice.



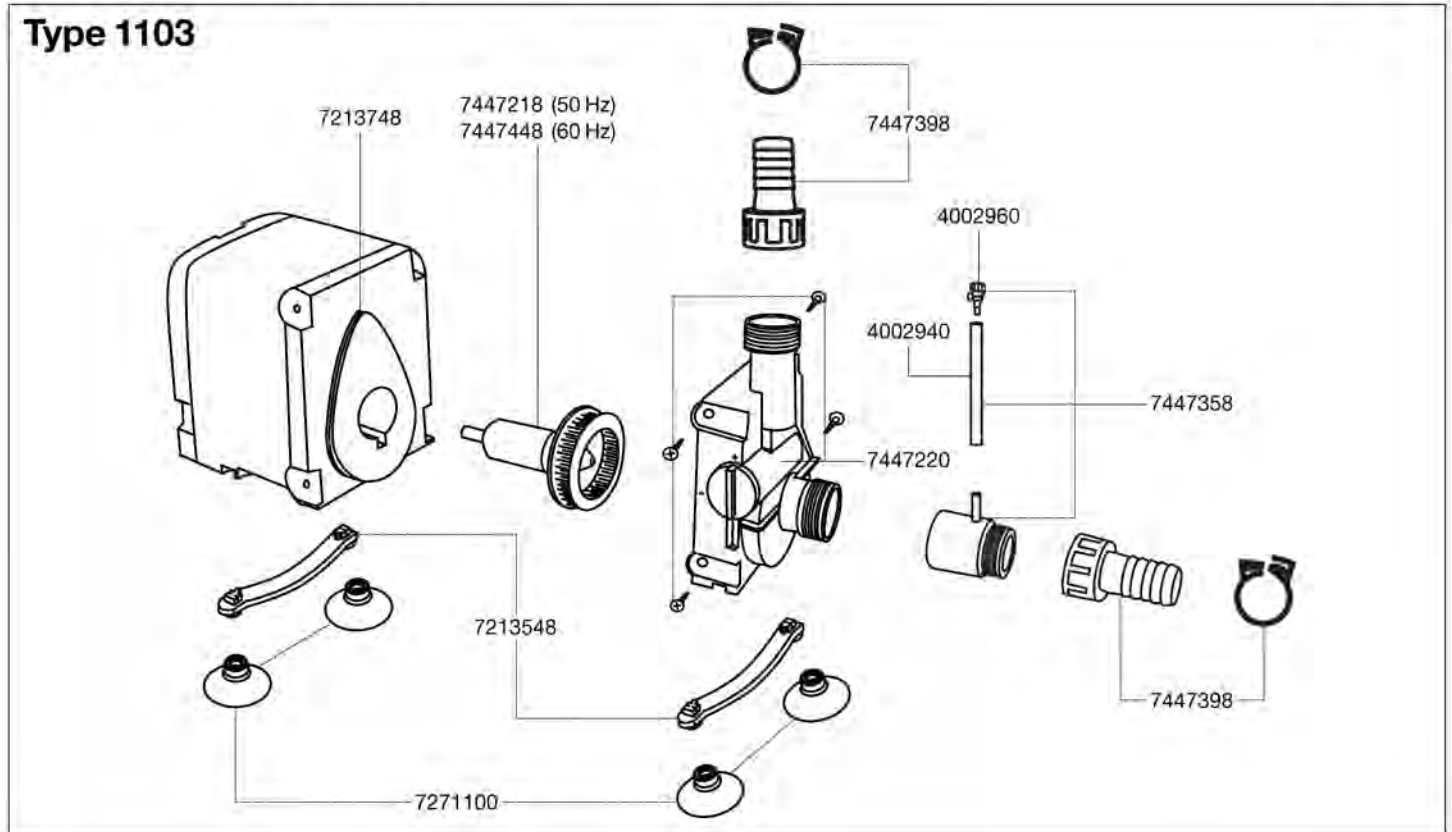
Order no.	Spare part	1102
2615000	Coarse foam (2 pieces)	
4007530	Hose clamp (2 pieces)	
7213548	Attachment sleeves (2 pieces)	
7213758	Threaded connector suction side	
7213748	Sealing ring (2 pieces)	
7268359	Sealing cover	
7271100	Suction cup (4 pieces)	
7446488	Impeller (50 Hz) for <b>compact+ 5000</b> , Type 1102	
7446498	Impeller (60 Hz) for <b>compact+ 5000</b> , Type 1102	

Order no.	Spare part	1102
7446520	Pump housing complete with sealing ring and 4 screws for <b>compact+ 5000</b> , Type 1102	
7446530	Intake screen with sealing cover	
7675100	Holding brackets	





Spare parts. Subject to change without prior notice.



Order no.	Spare part	1103
4002940	Hose ø 4/6 mm	
4002960	Air regulator	
7213548	Attachment sleeves (2 pieces)	
7213748	Sealing ring (2 pieces)	
7271100	Suction cup (4 pieces)	

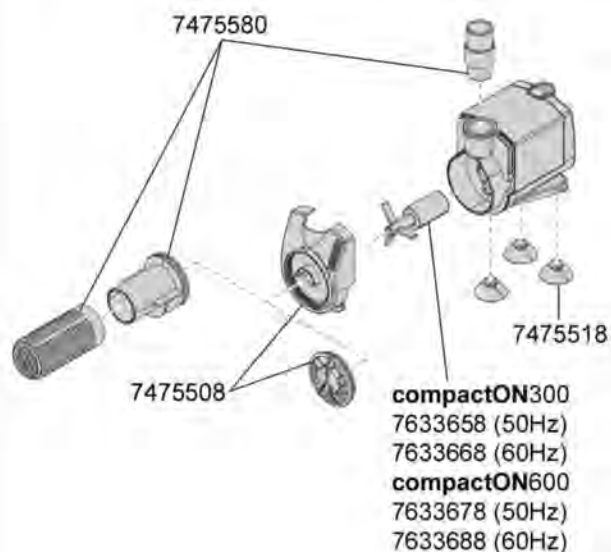
Order no.	Spare part	1103
7447218	Needle wheel unit (50 Hz) for compact <sup>+</sup> marine – Type 1103	
7447220	Pump housing complete with sealing ring and 4 screws for compact <sup>+</sup> marine – Type 1103	
7447358	Diffusor	
7447398	Threaded connector suction side and pressure side with hose clamp	
7447448	Needle wheel unit (60 Hz) for compact <sup>+</sup> marine – Type 1103	

**1020 Pump compactON300**  
**1021 Pump compactON600**  
**1022 Pump compactON1000**

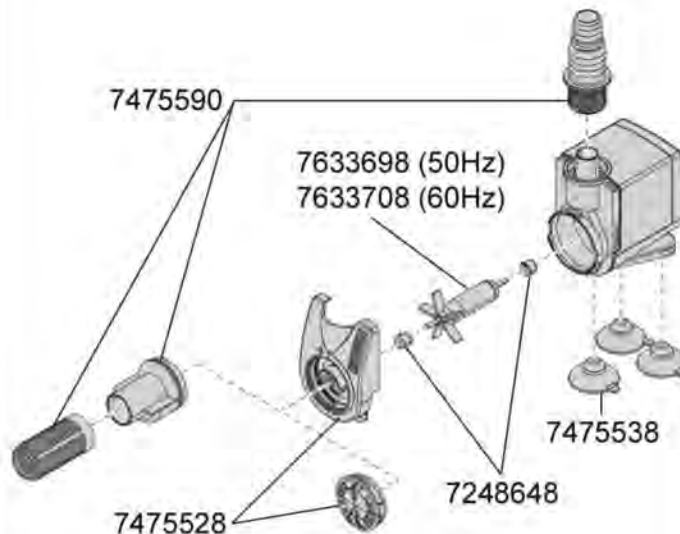


Spare parts. Subject to change without prior notice.

**compactON300, 600**



**compactON1000**



Order no.	Spare part	1020 / 1021
7475508	Pump Housing complete with output regulator	
7475518	Suction cups (3 pieces)	
7475580	Connection set consisting of inlet strainer, connection-piece und threaded connector	
7633658	Impeller (50 Hz) <b>compactON300</b> , type 1020	
7633668	Impeller (60 Hz) <b>compactON300</b> , type 1020	
7633678	Impeller (50 Hz) <b>compactON600</b> , type 1021	
7633688	Impeller (60 Hz) <b>compactON600</b> , type 1021	

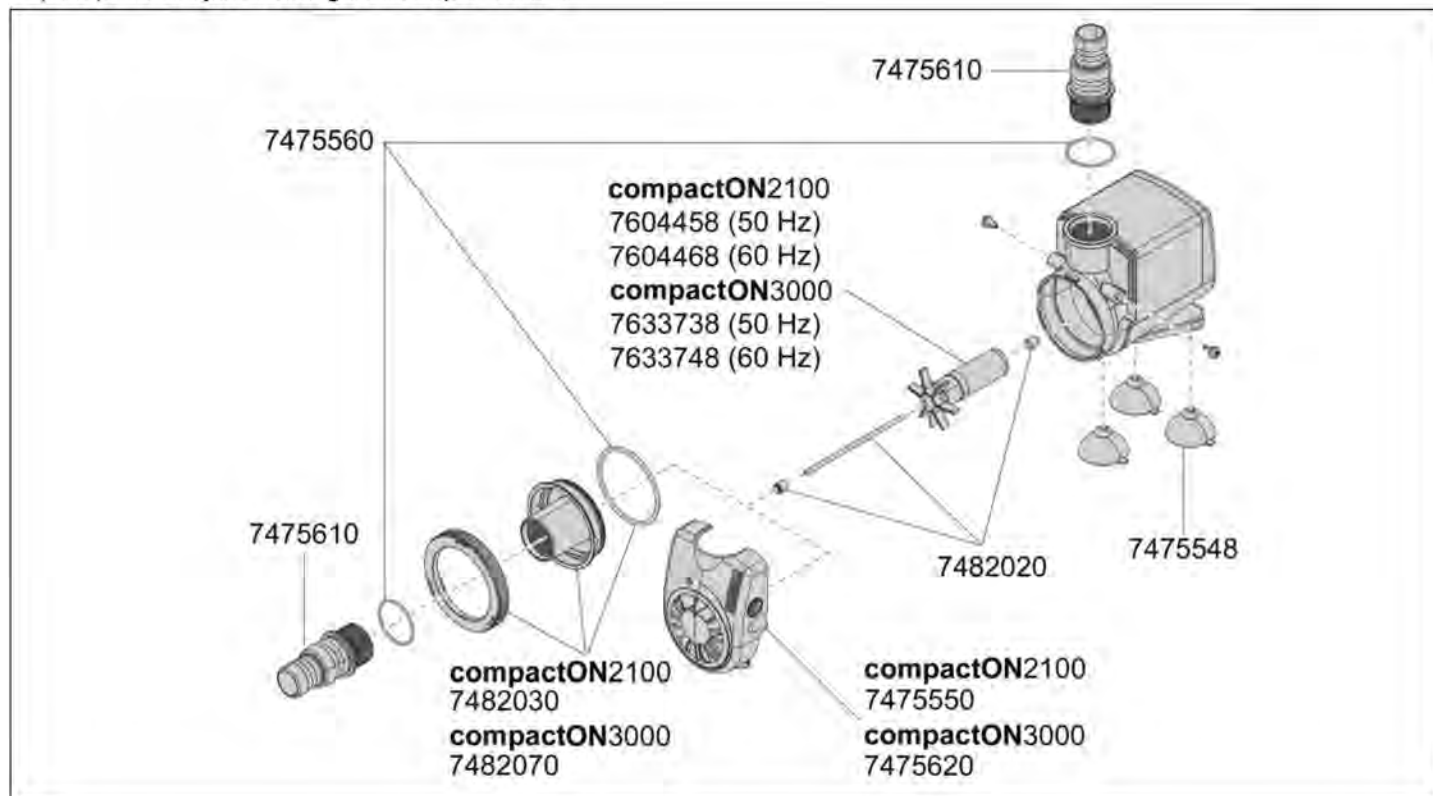
Order no.	Spare part	1022
7248648	Bearings (2 pieces)	
7475528	Pump Housing complete with output regulator	
7475538	Suction cups (3 pieces)	
7475590	Connection set consisting of inlet strainer, connection-piece und threaded connector	
7633698	Impeller (50 Hz) <b>compactON1000</b> , type 1022	
7633708	Impeller (60 Hz) <b>compactON1000</b> , type 1022	

# 1030 Pump **compactON2100**

# 1031 Pump **compactON3000**



Spare parts. Subject to change without prior notice.

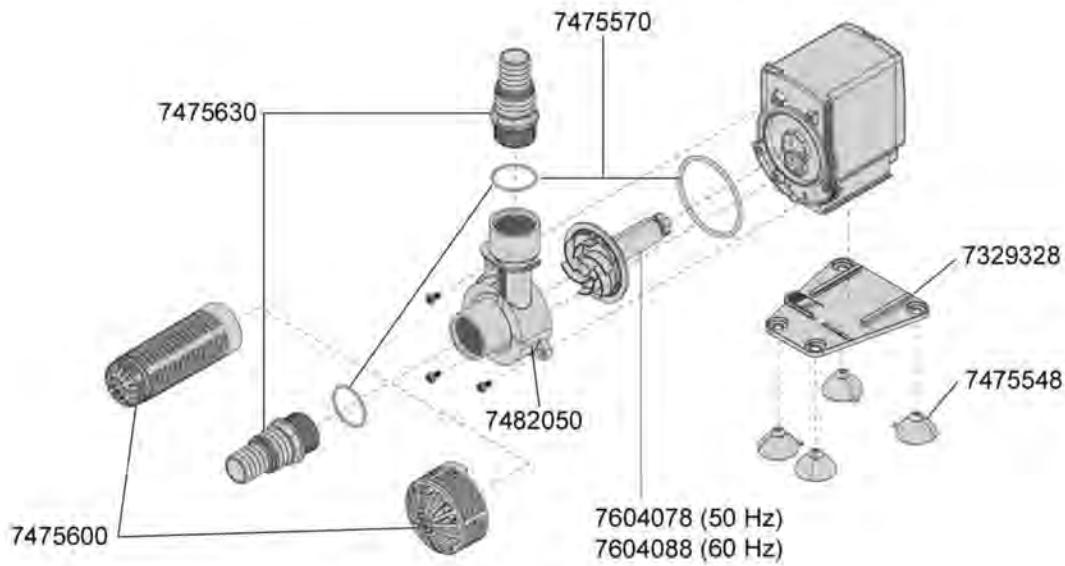


Order no.	Spare part	1030 / 1031
7475548	Suction cups (4 pieces)	
7475550	Pump cover complete with output regulator and 2 screws <b>compactON2100</b> , type 1030 (underwater operation)	
7475560	Set sealing rings, 1x for pump cover 2x for threaded connector	
7475610	Threaded connector G 1" pressure- or suction side for hose-Ø 19/27 mm (3/4") or Ø 25/35 mm (1")	
7475620	Pump cover complete with output regulator and 2 screws <b>compactON3000</b> type 1031 (underwater operation)	
7482020	Ceramic-Shaft with bushings	

Order no.	Spare part	1030 / 1031
7482030	Pump cover complete with holding ring, sealing ring and 2 screws for <b>compactON2100</b> , type 1030 (Operating outside water)	
7482070	Pump cover complete with holding ring, sealing ring and 2 screws for <b>compactON3000</b> , type 1031 (Operating outside water)	
7604458	Impeller (50 Hz) <b>compactON2100</b> , type 1030	
7604468	Impeller (60 Hz) <b>compactON2100</b> , type 1030	
7633738	Impeller (50 Hz) <b>compactON3000</b> , type 1031	
7633748	Impeller (60 Hz) <b>compactON3000</b> , type 1031	



Spare parts. Subject to change without prior notice.



Order no.	Spare part	1032
7329328	Mounting plate	
7475548	Suction cups (4 pieces)	
7475570	Set sealing rings, 1x for pump housing, 2x for threaded connector	
7475600	Set inlet strainer	

Order no.	Spare part	1032
7475630	Threaded connector G 1 1/4" pressure-or suction side for hose Ø 25/34 mm (1") or Ø (1 1/4")	
7482050	Pump housing complete with sealing ring and 3 screws	
7604078	Impeller (50 Hz)	
7604088	Impeller (60 Hz)	

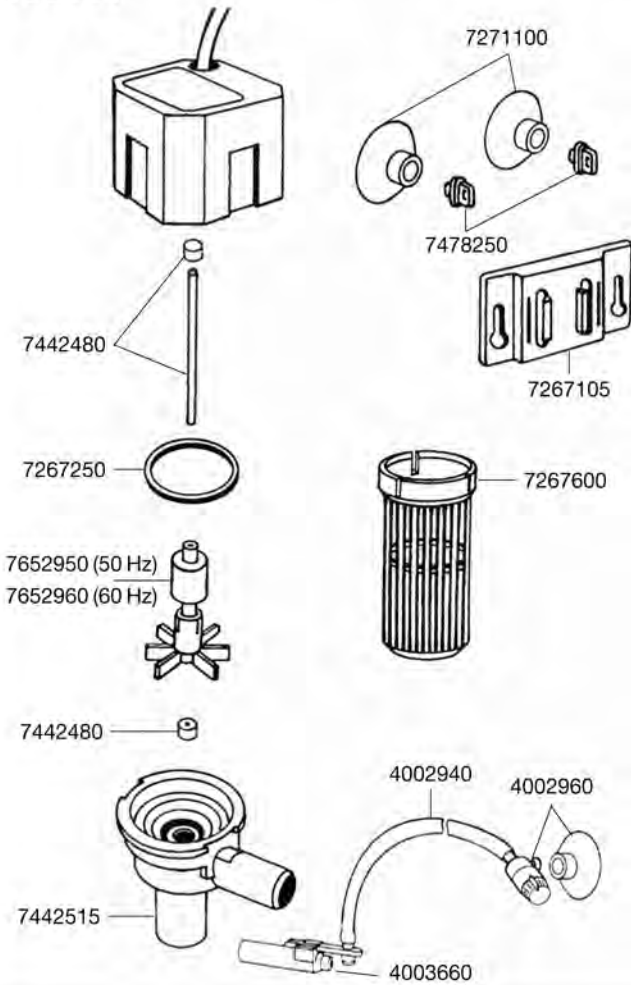
# 100501 Universal Powerhead 100521 and 100550 Centrifugal pumps

**EHEIM**

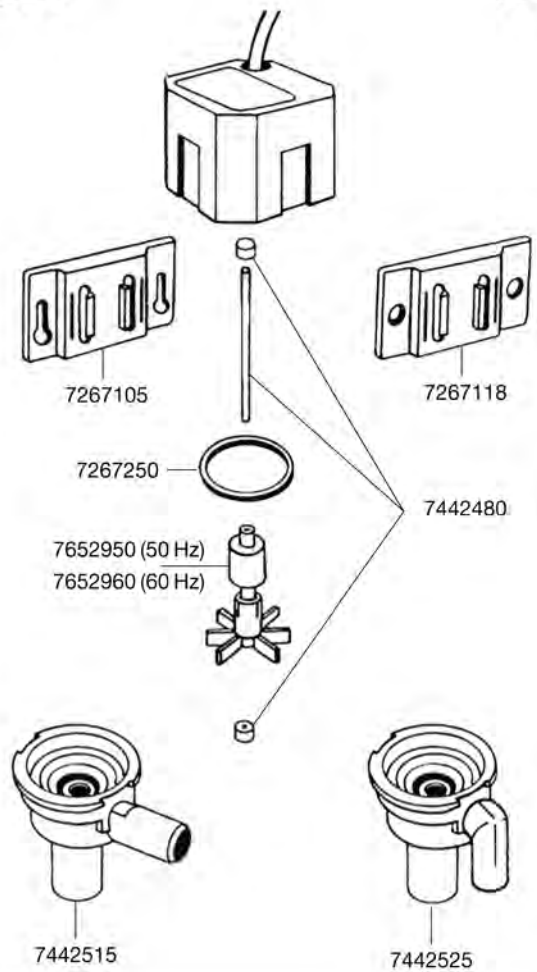


Spare parts. Subject to change without prior notice.

## 100501



## 100521



## 100550

Order no.	Spare part
4002940	Hose $\varnothing$ 4 / 6 mm
4002960	Air regulating clamp
4003660	Diffusor
4009560	Set of cleaning brushes (not shown)
7267105	Mounting plate for 100501 and 100521
7267118	Mounting plate for 100550
7267250	Sealing ring (2 pieces)

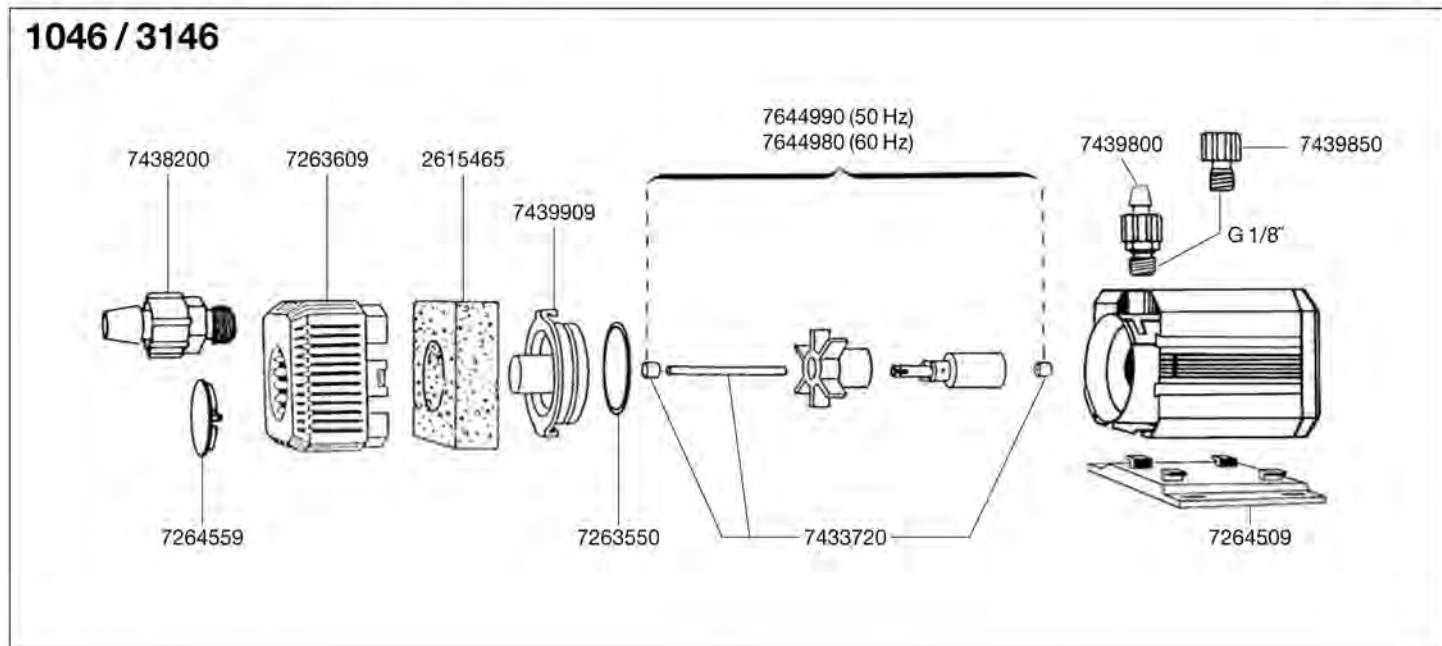
Order no.	Spare part
7267600	Inlet strainer for 100501
7271100	Suction cup (4 pieces)
7442480	Shaft with bushings
7442515	Cover for 100501 / 100521
7442525	Cover for 100550
7478250	Attachment lug (4 pieces)
7652950	Impeller (50 Hz)
7652960	Impeller (60 Hz)

# 1046 Universal pump

## 3146 Fountain set



Spare parts. Subject to change without prior notice.



Order no.	Spare part
2615465	Coarse foam (2 pieces)
4009560	Set of cleaning brushes (not shown)
7263550	Sealing ring (2 pieces)
7263609	Intake screen
7264509	Mounting plate
7264559	Sealing cover

Order no.	Spare part
7433720	Shaft with bushings
7438200	Threaded connector suction side
7439800	Threading connector pressure side
7439850	Adapter with sealing ring
7439909	Pump cover
7644980	Impeller (60 Hz) complete with shaft and bushings
7644990	Impeller (50 Hz) complete with shaft and bushings

# 1048 Universal pump

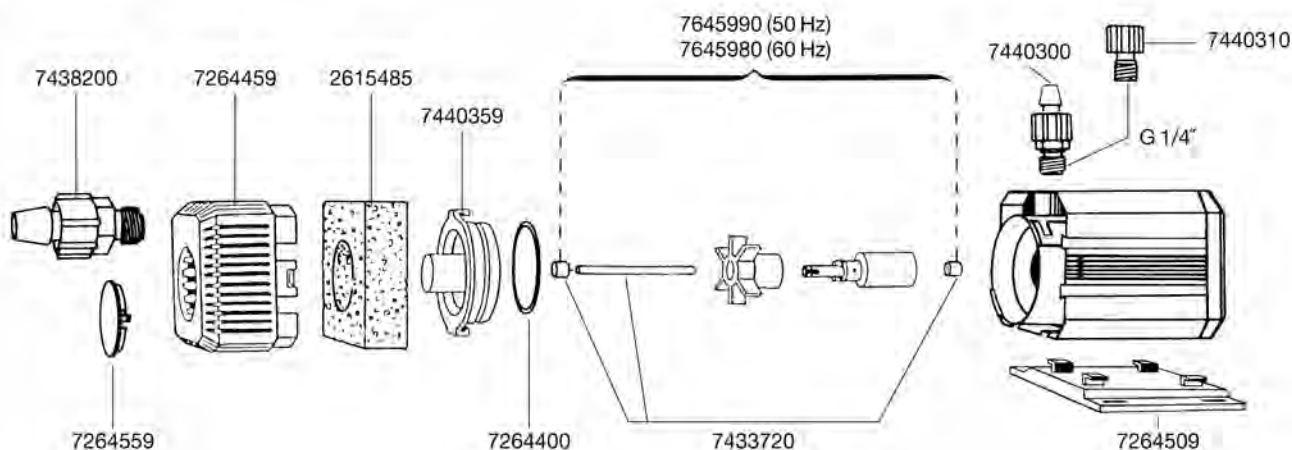
## 3148 Fountain set

**EHEIM**



Spare parts. Subject to change without prior notice.

### 1048 / 3148



Order no.	Spare part	1048 / 3148
2615485	Coarse foam (2 pieces)	
4009560	Set of cleaning brushes (not shown)	
7264400	Sealing ring (2 pieces)	
7264459	Intake screen	
7264509	Mounting plate	
7264559	Sealing cover	

Order no.	Spare part	1048 / 3148
7433720	Shaft with bushings	
7438200	Threaded connector suction side	
7440300	Threaded connector pressure side	
7440310	Adaptor with sealing ring	
7440359	Pump cover	
7645980	Impeller (60 Hz) complete with shaft and bushings	
7645990	Impeller (50 Hz) complete with shaft and bushings	



## 1250 Universal pump

## 1251 Pump for pond filter 3451

## 1253 Pump for external filter 2250

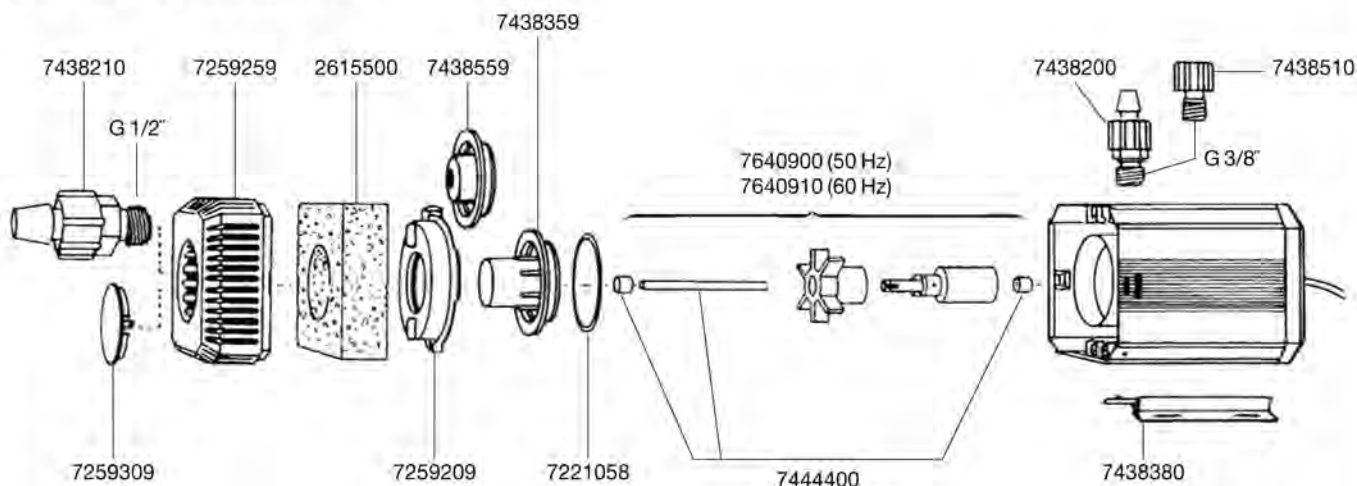
## 3250 Fountain set

**EHEIM**



Spare parts. Subject to change without prior notice.

### 1250/1251/1253/3250



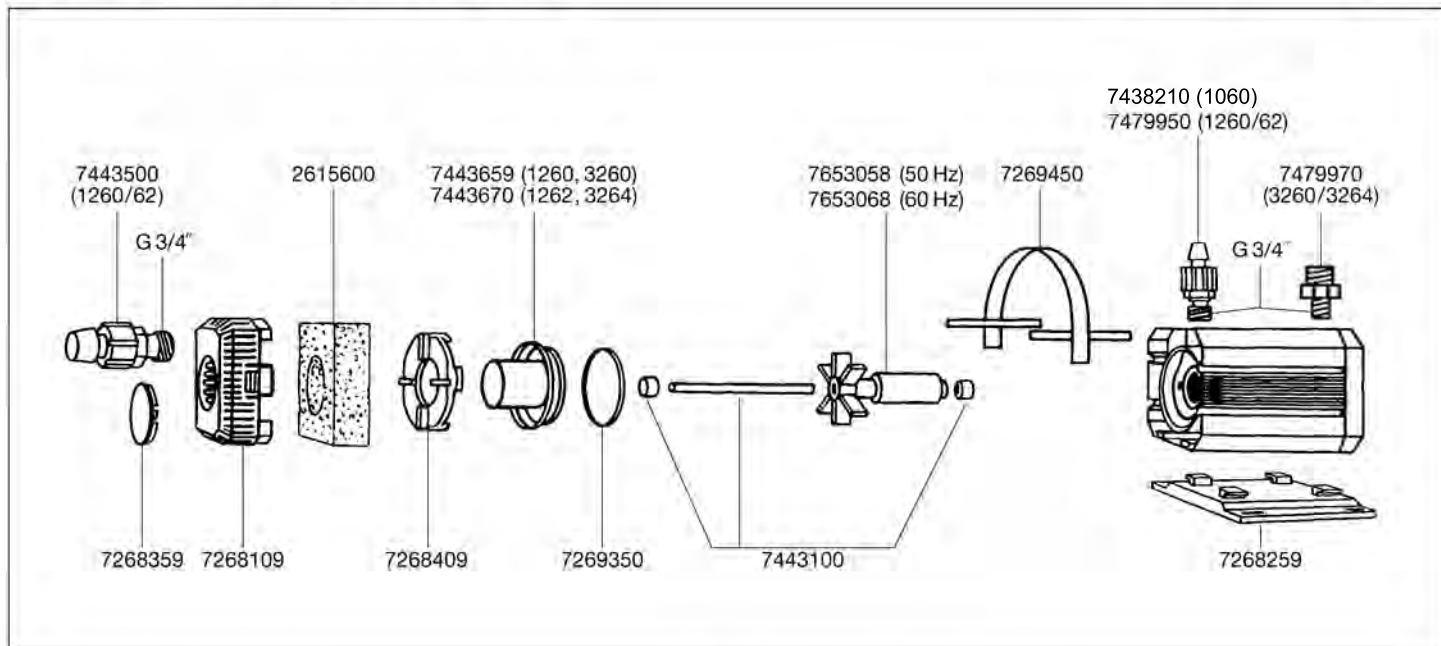
Order no.	Spare part	1250 / 1251 / 1253 / 3250
2615500	Coarse foam (2 pieces)	
4009560	Set of cleaning brushes (not shown)	
7221058	Sealing ring (2 pieces)	
7259209	Holding ring	
7259259	Intake screen	
7259309	Sealing cover	
7438200	Threaded connector pressure side	
7438210	Threaded connector suction side	

Order no.	Spare part	1250 / 1251 / 1253 / 3250
7438359	Pump cover	
7438380	Attachment sleeves left and right and 2 panels	
7438510	Adapter and sealing ring	
7438559	Pump cover for pump 1251	
7444400	Set shaft with bushings	
7640900	Impeller (50 Hz) complete with shaft and bushings	
7640910	Impeller (60 Hz) complete with shaft and bushings	

**1260 Universal pump**  
**1262 Universal pump**  
**3260 Fountain set**  
**3264 Fountain set**



Spare parts. Subject to change without prior notice.



Order no.	Spare part
2615600	Coarse foam (2 pieces)
4009560	Set of cleaning brushes (not shown)
7268109	Intake screen
7268259	Mounting plate
7268359	Sealing cover
7268409	Holding ring
7269350	Sealing ring (2 pieces)
7269450	Holding clip

Order no.	Spare part
7438210	Threaded connector pressure side for 1060
7443100	Shaft with bushings
7443500	Threaded connector suction side for 1260 and 1262
7443659	Pump cover with bushing for 1260 and 3260
7443670	Pump cover with bushing for 1262 and 3264
7479950	Threaded connector pressure side for 1260 and 1262
7479970	Adapter and sealing ring for 3260 and 3264
7653058	Impeller 50 Hz
7653068	Impeller 60 Hz

**1070 Flow pump streamON 1800**  
**1071 Flow pump streamON 3000**  
**1072 Flow pump streamON 3800**



Spare parts. Subject to change without prior notice.

**1070**



**1071/1072**



Order no.	Spare part	1070
7362018	Pump housing	
7362038	Pump holder	
7448158	Impeller (50 Hz) for <b>streamON 1800</b>	
7448168	Impeller (60 Hz) für <b>streamON 1800</b>	
7448178	Suction cup (4 pieces)	

Order no.	Spare part	1071/1072
7362078	Pump housing	
7362098	Pump holder	
7448178	Suction cup (4 pieces)	
7448258	Impeller (50 Hz) complete with shaft, bushings and starting disk for <b>streamON 3000</b>	
7448268	Impeller (60 Hz) complete with shaft, bushings and starting disk for <b>streamON 3000</b>	
7448358	Impeller (50 Hz) complete with shaft, bushings and starting disk for <b>streamON 3800</b>	
7448368	Impeller (60 Hz) complete with shaft, bushings and starting disk for <b>streamON 3800</b>	

**1080 Flow pump streamON 2000**  
**1081 Flow pump streamON 4000**  
**1082 Flow pump streamON 5000**

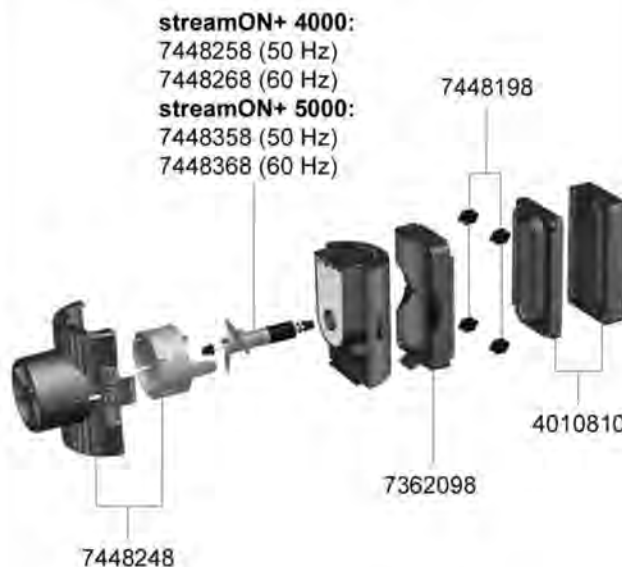


Spare parts. Subject to change without prior notice.

**1080**



**1081/1082**



Order no.	Spare part	1080
4010800	Magnet holder complete with 4 pieces cushions	
7362038	Pump holder	
7448158	Impeller (50 Hz) for <b>streamON+ 2000</b>	
7448168	Impeller (60 Hz) for <b>streamON+ 2000</b>	
7448198	Cashions (4 pieces)	
7448238	Pump housing complete with output regulator	

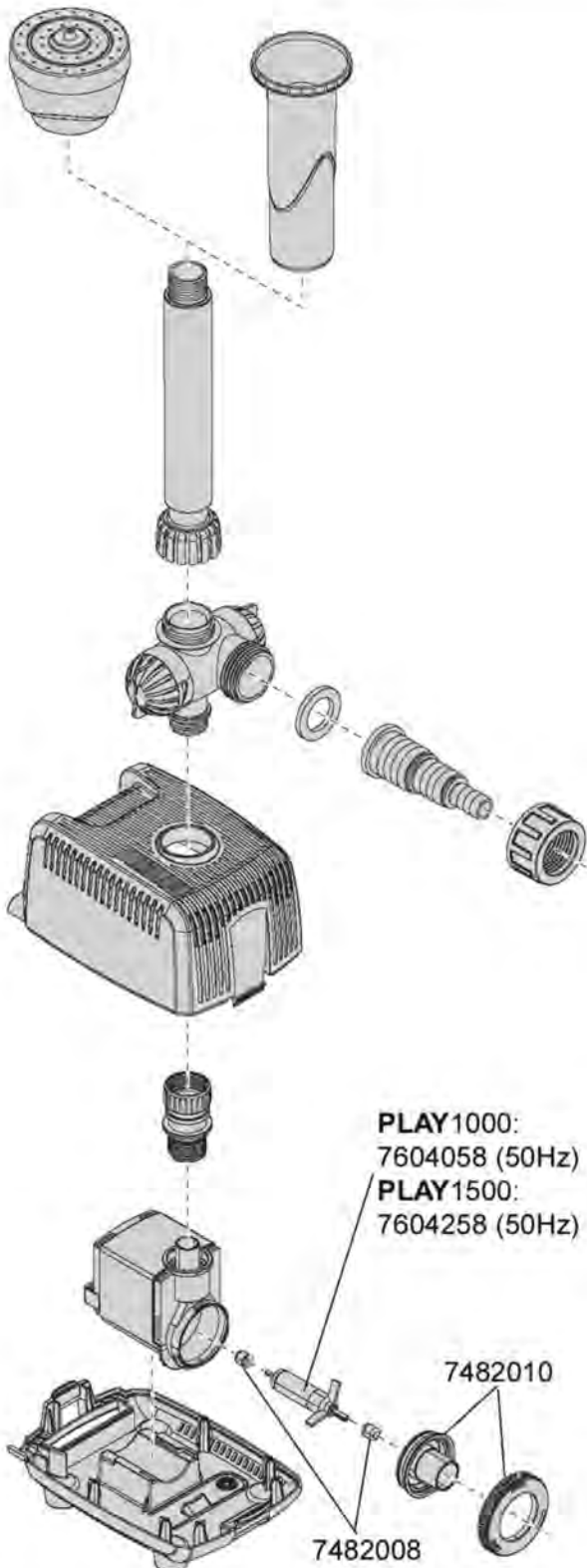
Order no.	Spare part	1081/1082
4010810	Magnet holder complete with 4 pieces cushions	
7362098	Pump holder	
7448198	Cushions (4 pieces)	
7448248	Pump housing complete with output regulator	
7448258	Impeller (50 Hz) complete with shaft, bushings and starting disk for <b>streamON+ 4000</b>	
7448268	Impeller (60 Hz) complete with shaft, bushings and starting disk for <b>streamON+ 4000</b>	
7448358	Impeller (50 Hz) complete with shaft, bushings and starting disk for <b>streamON+ 5000</b>	
7448368	Impeller (60 Hz) complete with shaft, bushings and starting disk for <b>streamON+ 5000</b>	

**5100 Water feature pump PLAY1000**

**5101 Water feature pump PLAY1500**



Spare parts. Subject to change without prior notice



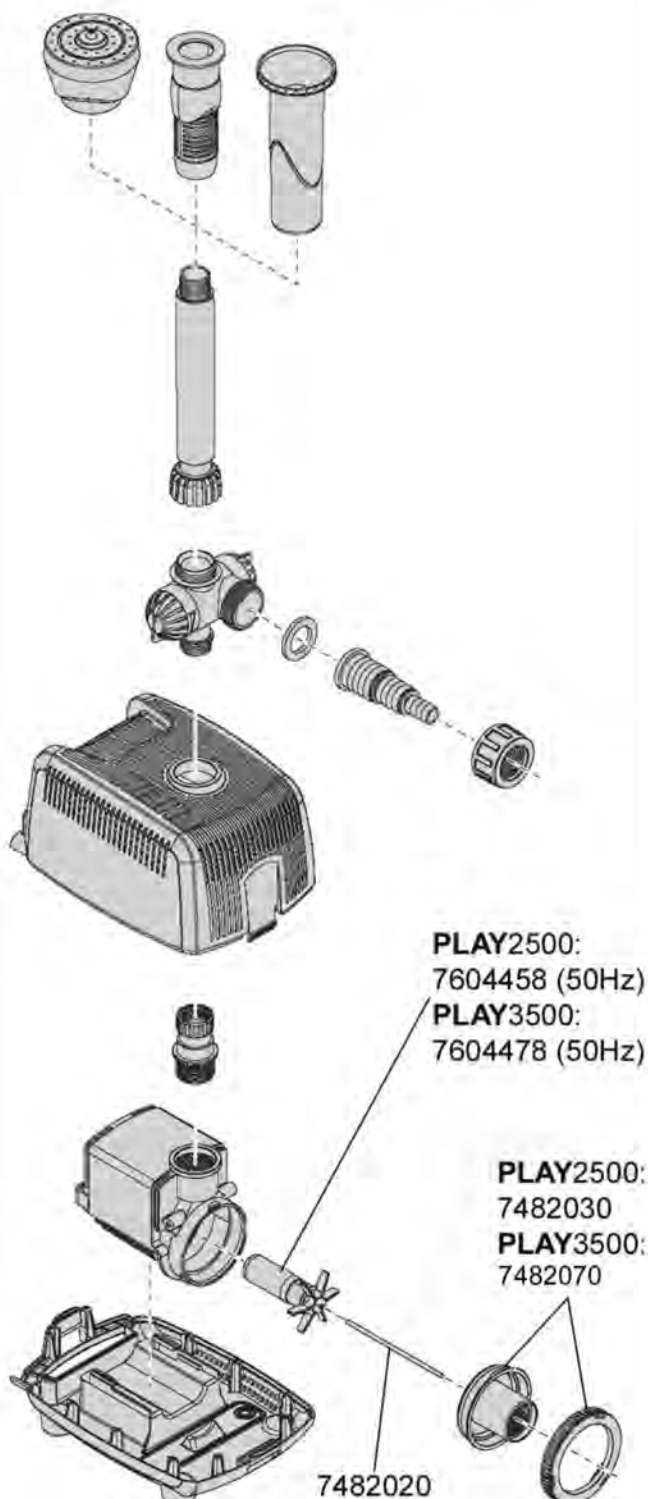
Order no.	Spare part	5100/5101
7482008	Ceramic bush with dampening rubber (2 pieces)	
7482010	Pump cover with ceramic bush, sealing ring and locking ring	
7604058	Impeller (50Hz) with ceramic shaft for <b>PLAY1000</b> , type 5100	
7604258	Impeller (50Hz) with ceramic shaft for <b>PLAY1500</b> , type 5101	

**5102 Water feature pump PLAY2500**

**5103 Water feature pump PLAY3500**



Spare parts. Subject to change without prior notice



Order no.	Spare part	5102/5103
7482020	Ceramic shaft with bushings	
7482030	Pump cover with bushing, sealing ring and locking ring for <b>PLAY2500</b> , type 5102	
7482070	Pump cover with bushing, sealing ring and locking ring for <b>PLAY3500</b> , type 5103	
7604458	Impeller (50Hz) for <b>PLAY2500</b> , type 5102	
7604478	Impeller (50Hz) for <b>PLAY3500</b> , type 5103	

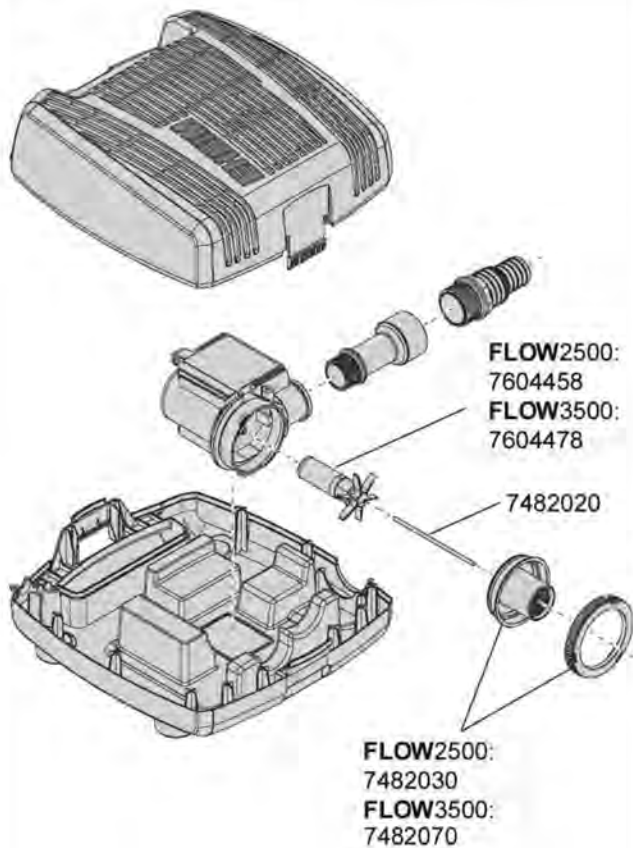
7604 Pond pump **FLOW2500**

5110 Pond pump **FLOW3500**

**EHEIM**



Spare parts. Subject to change without prior notice.



Order no.	Spare part	5110/7604
7482020	Ceramic shaft with bushings	
7482030	Pump cover with bushing, sealing ring and locking ring for <b>FLOW2500</b> , type 7604	
7482070	Pump cover with bushing, sealing ring and locking ring for <b>FLOW 3500</b> , type 5110	
7604458	Impeller (50Hz) for <b>FLOW2500</b> , type 7604	
7604478	Impeller (50Hz) for <b>FLOW3500</b> , type 5110	

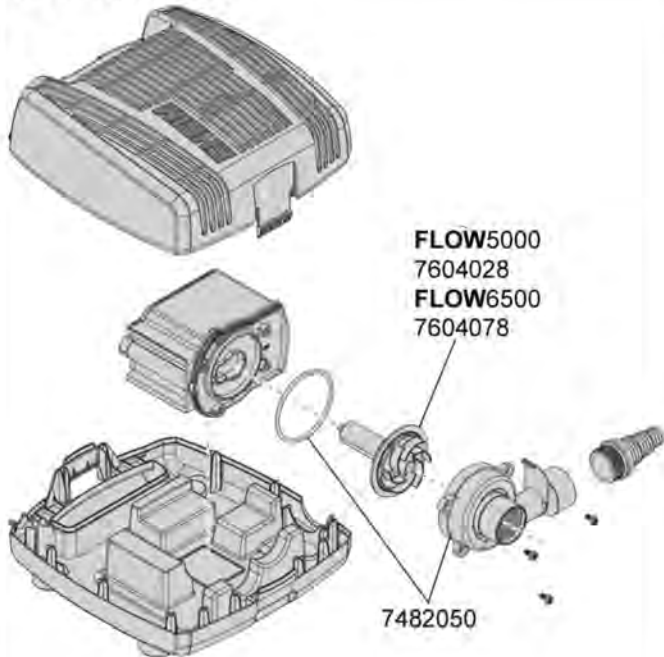


- 5111 Pond pump **FLOW**5000
- 5112 Pond pump **FLOW**6500
- 5113 Pond pump **FLOW**9000
- 5114 Pond pump **FLOW**12000



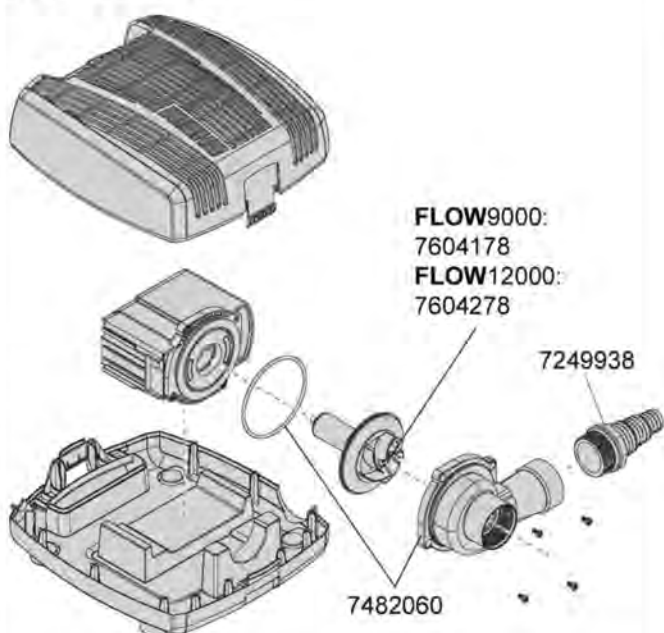
Spare parts. Subject to change without prior notice.

**FLOW**5000/6500



Order no.	Spare part	5111/5112
7482050	Pump housing complete with sealing ring and 3 screws for <b>FLOW</b> 5000/6500 Typ 5111/5112	
7604028	Impeller (50Hz) for <b>FLOW</b> 5000, Typ 5111	
7604078	Impeller (50Hz) for <b>FLOW</b> 6500, Typ 5112	

**FLOW**9000/12000



Order no.	Spare part	5113/5114
7249938	Threaded connector G 2" with sealing ring for hose-Ø 1", 1 ¼" und 1 ½"	
7482060	Pump housing complete with sealing ring and 4 screws for <b>FLOW</b> 9000/12000, Typ 5113/5114	
7604178	Impeller (50Hz) for <b>FLOW</b> 9000, Typ 5113	
7604278	Impeller (50Hz) for <b>FLOW</b> 12000, Typ 5114	

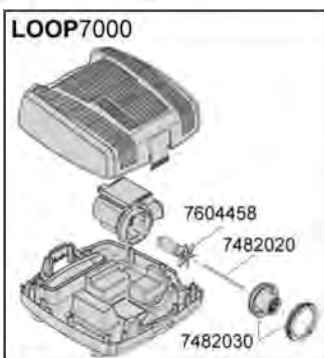
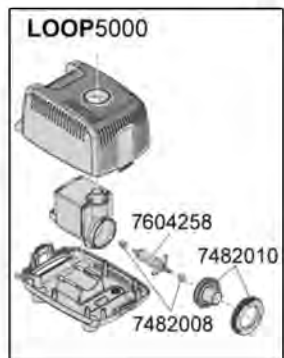
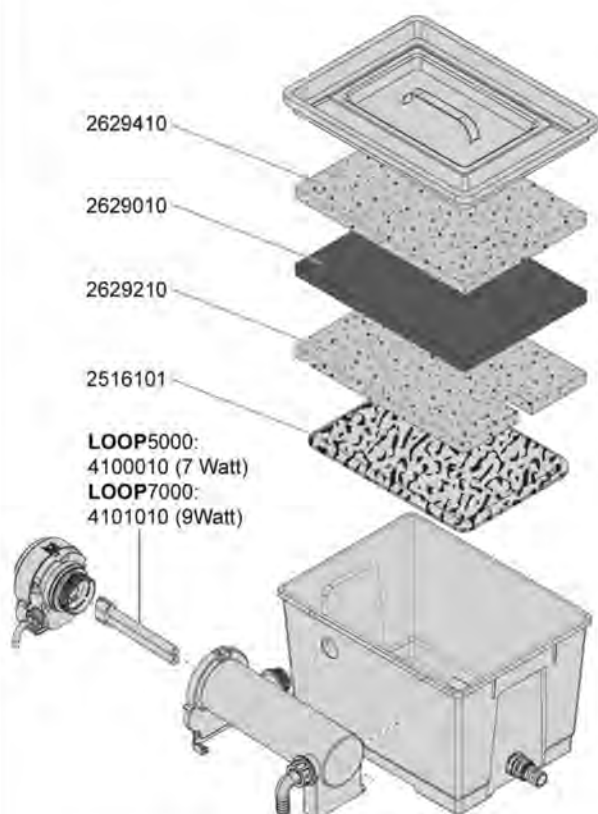
# 5200 Flow-through filter **LOOP5000**

# 5201 Flow-through filter **LOOP7000**

# EHEIM



Spare parts. Subject to change without prior notice



Order no.	Spare part	5200/5201
2516101	Filter media <b>FILTERBIO</b> (2,0 l)	
2629010	Adsorptive filter pad <b>REFINECOAL</b>	
2629210	Fine filter pads <b>REPLAYFINE</b> (2 pieces)	
2629410	Filter pads <b>REPLAYRAW</b> (2 pieces)	
4100010	UVC-lamp <b>GLOWUVC7</b> (7 Watt) for <b>LOOP5000</b>	
4101010	UVC-lamp <b>GLOWUVC9</b> (9 Watt) for <b>LOOP7000</b>	
7482008	Ceramic bush with dampening rubber (2 pieces) for <b>LOOP5000</b>	
7482010	Pump cover with ceramic bush, sealing ring and locking ring for <b>LOOP5000</b>	
7482020	Ceramic shaft with bushings for <b>LOOP7000</b>	
7482030	Pump cover with bushing, sealing ring and locking ring for <b>LOOP7000</b>	
7604258	Impeller (50Hz) with ceramic shaft for <b>LOOP5000</b>	
7604458	Impeller (50Hz) for <b>LOOP7000</b>	

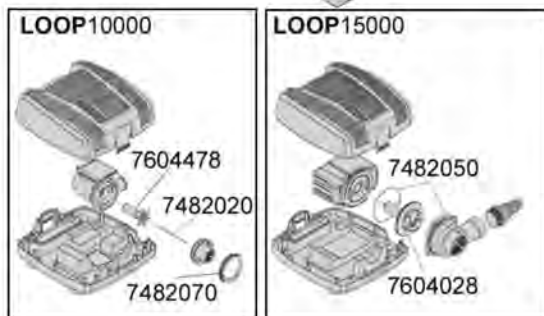
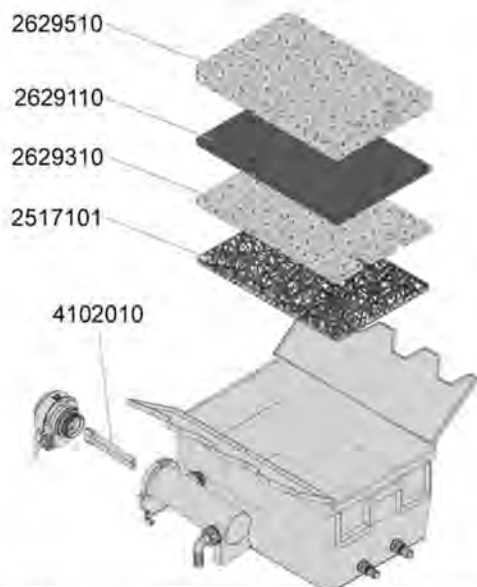
## 5202 Flow-through filter **LOOP**10000

## 5203 Flow-through filter **LOOP**15000

# EHEIM



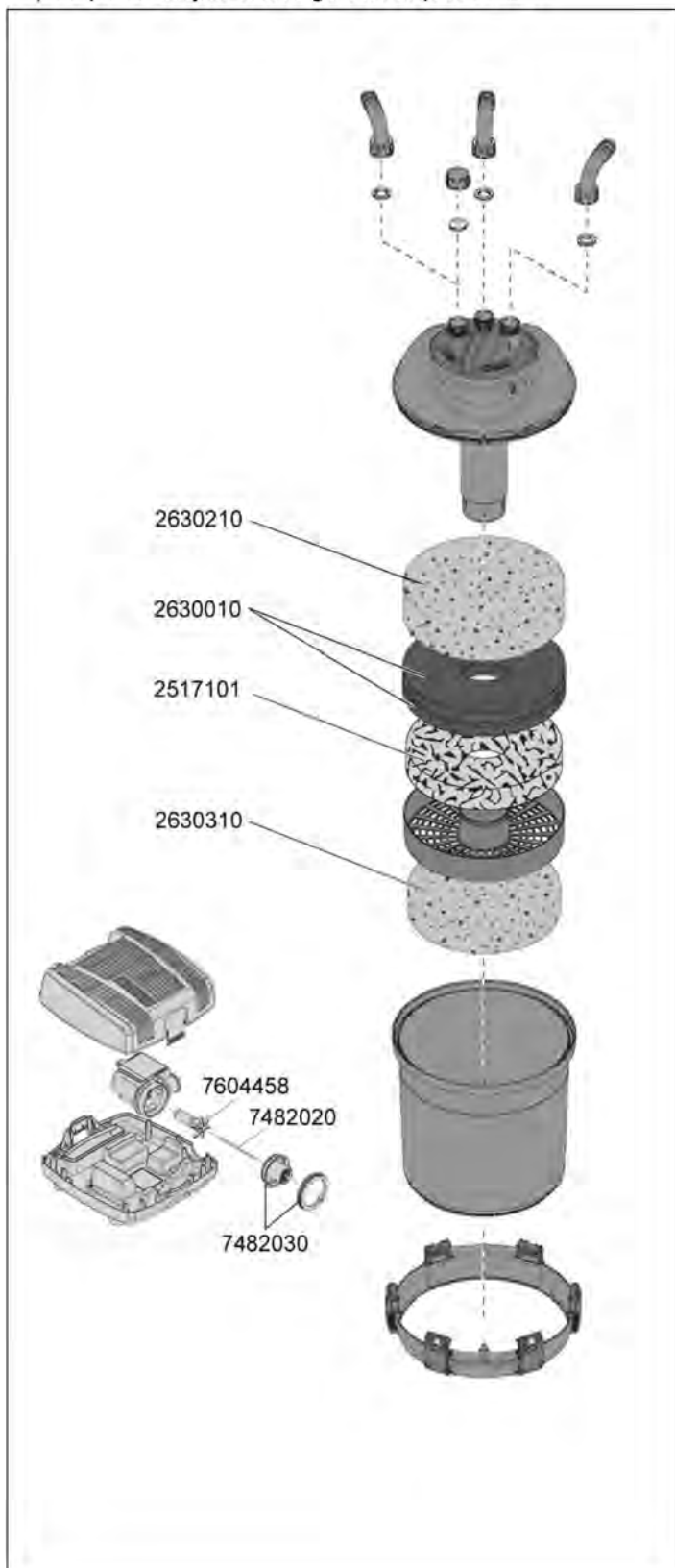
Spare parts. Subject to change without prior notice.



Order no.	Spare part	5202/5203
2517101	Filter media <b>FILTERMEC</b> (2,0 l)	
2629110	Adsorptive filter pad <b>REFINECOAL</b>	
2629310	Fine filter pads <b>REPLAYFINE</b> (2 Stück)	
2629510	Filter pads <b>REPLAYRAW</b> (2 Stück)	
4102010	UVC-lamp <b>GLOWUVC11</b> (11 Watt)	
7482020	Ceramic shaft with bushings for <b>LOOP</b> 10000	
7482050	Pump housing complete with sealing ring and 3x screws for <b>LOOP</b> 15000	
7482070	Pump cover with bushing, sealing ring and locking ring for <b>LOOP</b> 10000	
7604028	Impeller (50Hz) for <b>LOOP</b> 15000	
7604478	Impeller (50Hz) for <b>LOOP</b> 10000	



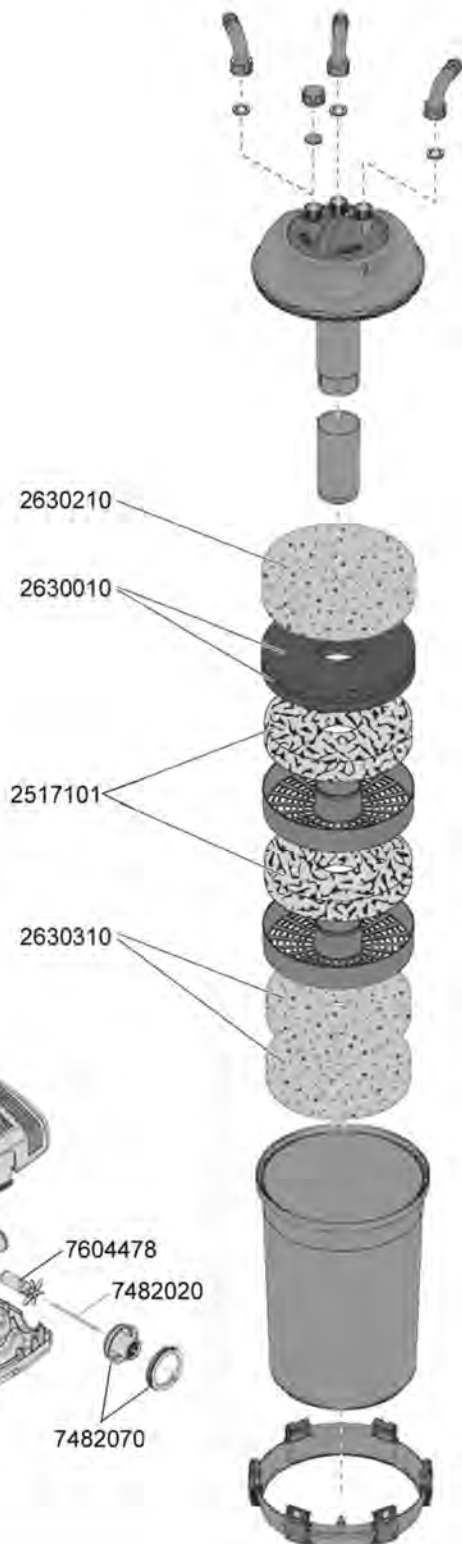
Spare parts. Subject to change without prior notice



Order no.	Spare part	5210
2517101	Filtermaterial <b>FILTERMEC</b> (2,0 l)	
2630010	Adsorptive filter pad <b>REFINECOAL</b>	
2630210	Fine filter pads <b>REPLAYFINE</b> (2 pieces)	
2630310	Filter pads <b>REPLAYRAW</b> (2 pieces)	
7482020	Ceramic shaft with bushings	
7482030	Pump cover with bushing, sealing ring and locking ring	
7604458	Impeller (50Hz)	



Spare parts. Subject to change without prior notice.

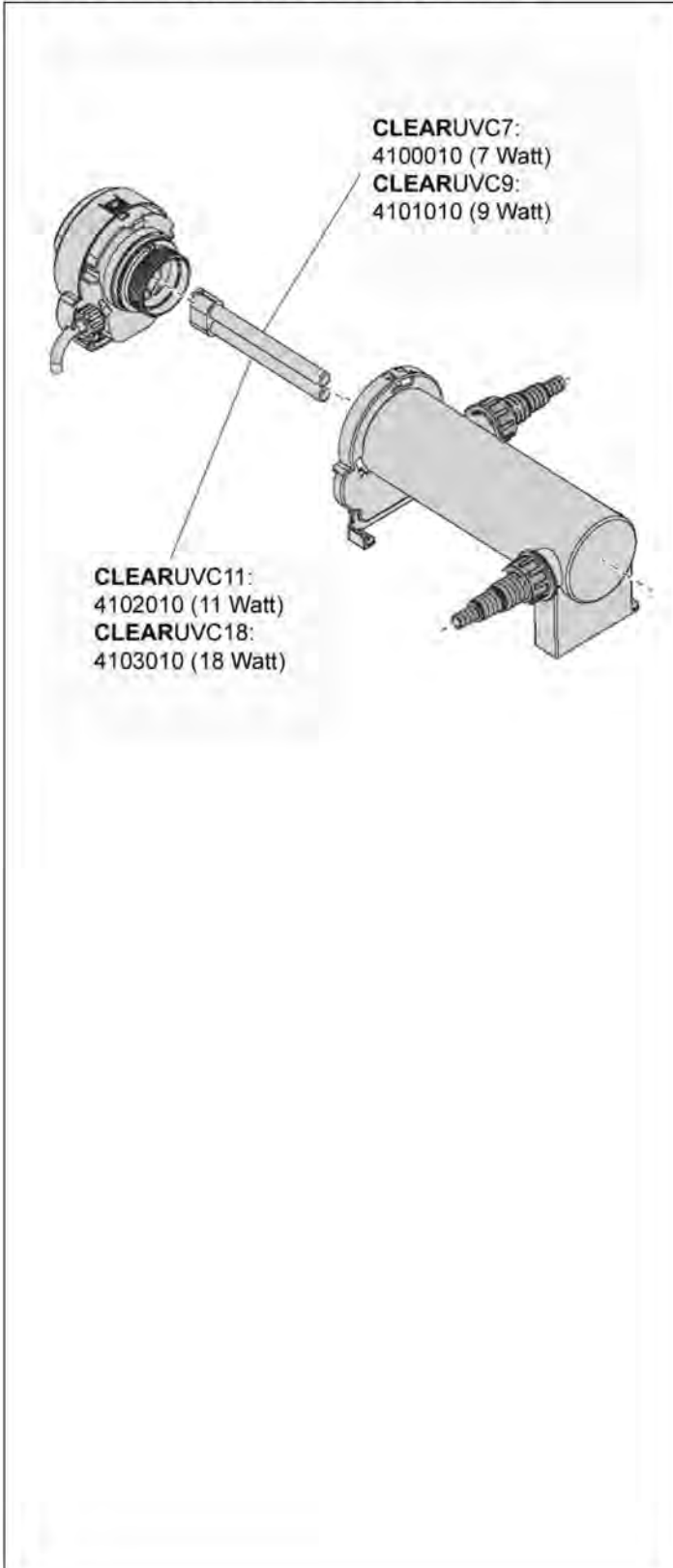


Order no.	Spare part	5211
2517101	Filtermaterial <b>FILTERMEC</b> (2,0 l)	
2630010	Adsorptive filter pad <b>REFINECOAL</b>	
2630210	Fine filter pads <b>REPLAYFINE</b> (2 pieces)	
2630310	Filter pads <b>REPLAYRAW</b> (2 pieces)	
7482020	Ceramic shaft with bushings	
7482070	Pump cover with bushing, sealing ring and locking ring	
7604478	Impeller (50Hz)	

- 5300 UVC clarifier **CLEARUVC7**
- 5301 UVC clarifier **CLEARUVC9**
- 5302 UVC clarifier **CLEARUVC11**
- 5303 UVC clarifier **CLEARUVC18**



Spare parts. Subject to change without prior notice



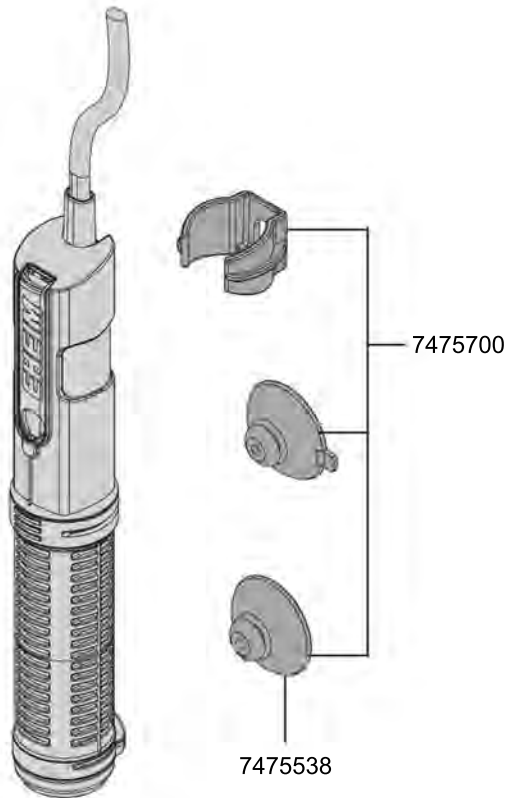
Order no.	Spare part	5300/5301/5302/5303
4100010	UVC-Spare lamp <b>GLOWUVC7</b> (7 Watt) for <b>CLEARUVC7</b> , type 5300	
4101010	UVC- Spare lamp <b>GLOWUVC9</b> (9 Watt) for <b>CLEARUVC9</b> , type 5301	
4102010	UVC- Spare lamp <b>GLOWUVC11</b> (11 Watt) for <b>CLEARUVC11</b> , type 5302	
4103010	UVC- Spare lamp <b>GLOWUVC18</b> (18 Watt) for <b>CLEARUVC18</b> , type 5303	

**Thermostatic aquarium heater thermocontrol  
Aquarium heater thermopreset**

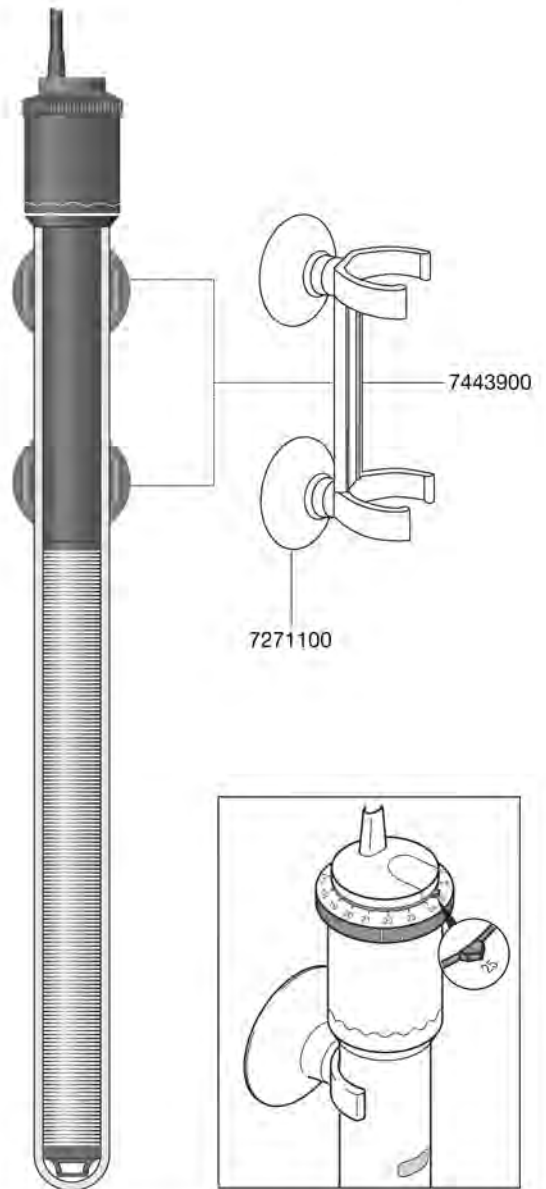


Spare parts. Subject to change without prior notice.

**3651 - 3657**



**3611 - 3619**



Order no.	Spare part
7475538	Suction cups (3 pieces)
7475700	Holder with 2x suction cups

Order no.	Spare part
7271100	Suction cups (4 pieces)
7443900	Double suction cup holder